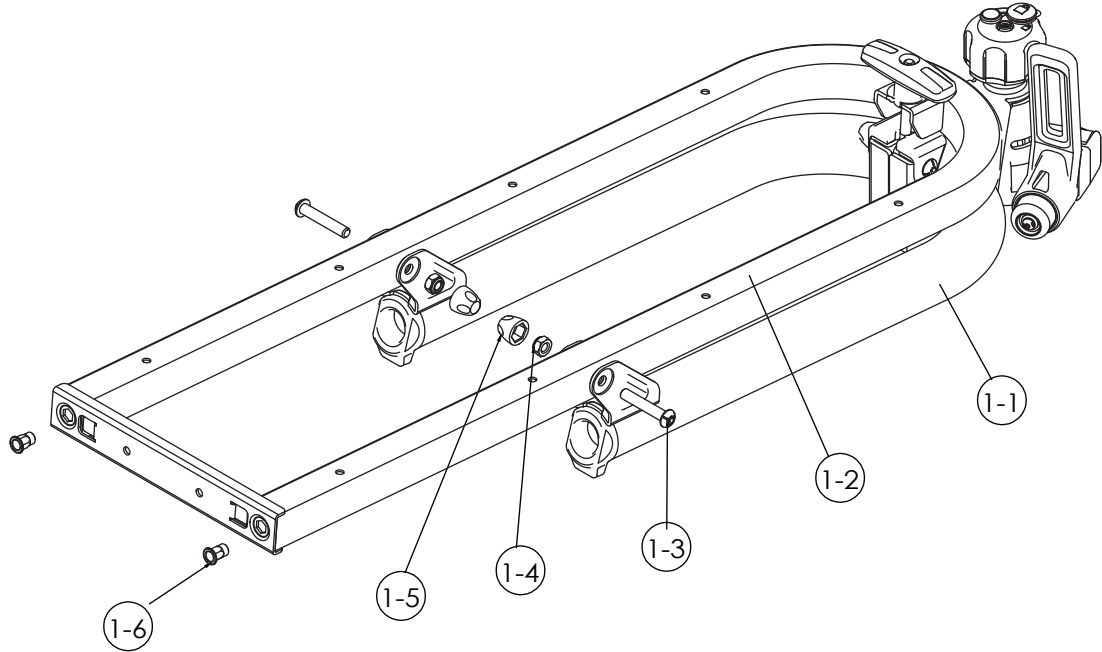
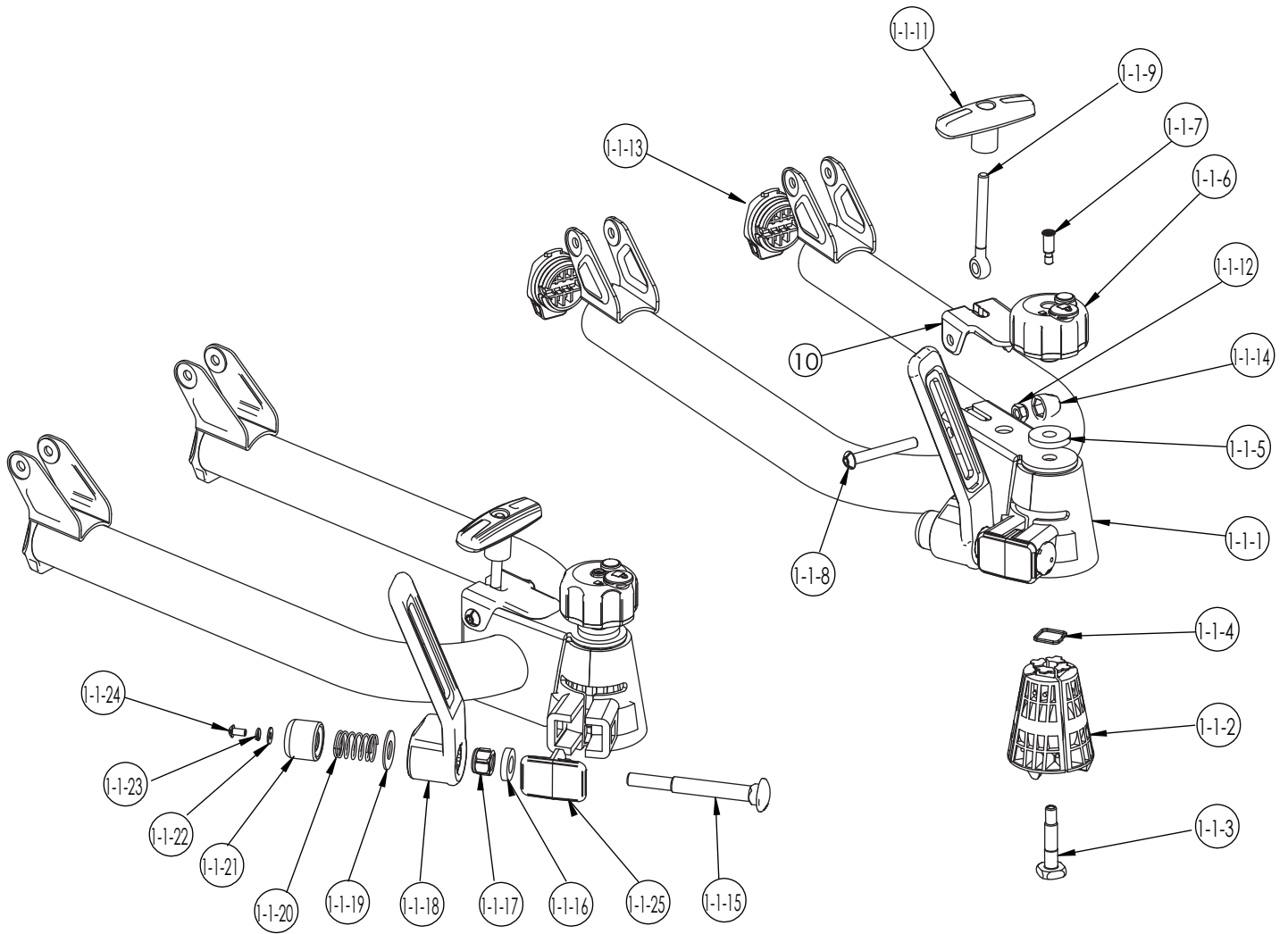


PART	DESCRIPTION	PART NUMBER	QTY.	PACK SIZE	PART	DESCRIPTION	PART NUMBER	QTY.	PACK SIZE
1	Foot assembly		1		21				
2	Platform assembly		1		22				
3	Bottom head screw M6x65mm	140-1106-029-04D	8		23				
4	Plastic washer	130-00445-01C	8		24				
5	Washer	142-1065-003-04D	8		25				
6	Nylock nut	141-0106-001-04D	8		26				
7	Wheel support assembly		8		27				
8	Light assembly	3505-00054-99C	1		28				
9	Washer	142-1065-003-04D	2		29				
10	Spring washer	142-2006-001-04D	2		30				
11	Bottom head screw M6x25mm	140-1106-005-04D	2		31				
12	Key	147-01905-99D	1		32				
13	Safety strap	3522-00197-03C	1		33				
14	T-wrench	132-00022-05C	1		34				
15	Allen key	144-00004-06D	1		35				
16	C-clip	130-00755-01C	2		36				
17	Lock Clip 1.0"	3509-00245-16C	1		37				
18	Cable lock 1400mm	3510-00054-99C	1		38				
19					39				
20					40				

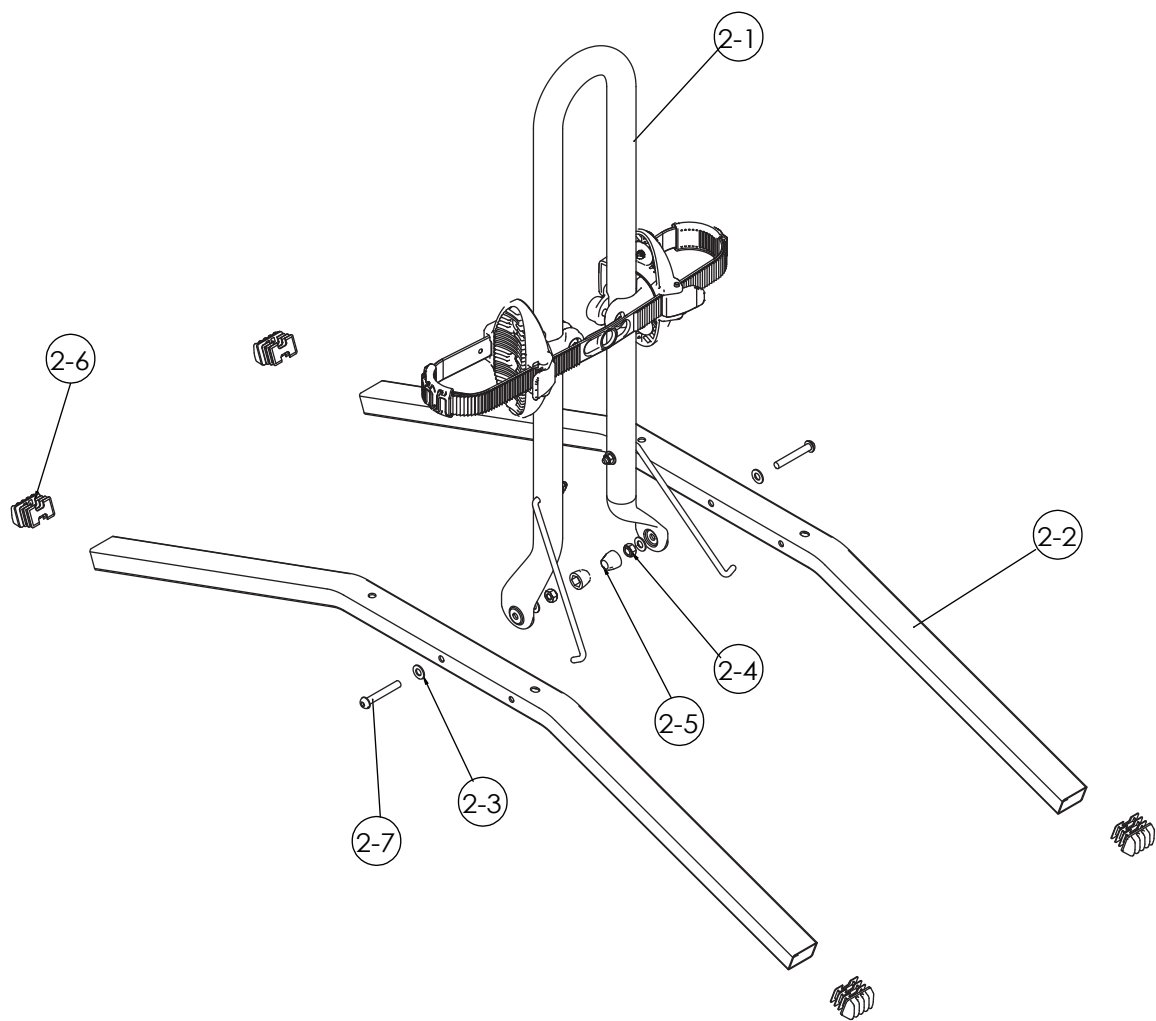


PART	DESCRIPTION	PART NUMBER	QTY.	PACK SIZE
1-1	Conic Foot Assembly		1	
1-2	Square tube welding		1	
1-3	Button head screw	140-1108-016-04D	2	
1-4	Nylock nut	141-0108-001-04D	2	
1-5	Cap	130-00459-01C	2	
1-6	Rivet nut	141-0606-001-19D	2	
1-7				
1-8				
1-9				
1-10				

PART	DESCRIPTION	PART NUMBER	QTY.	PACK SIZE

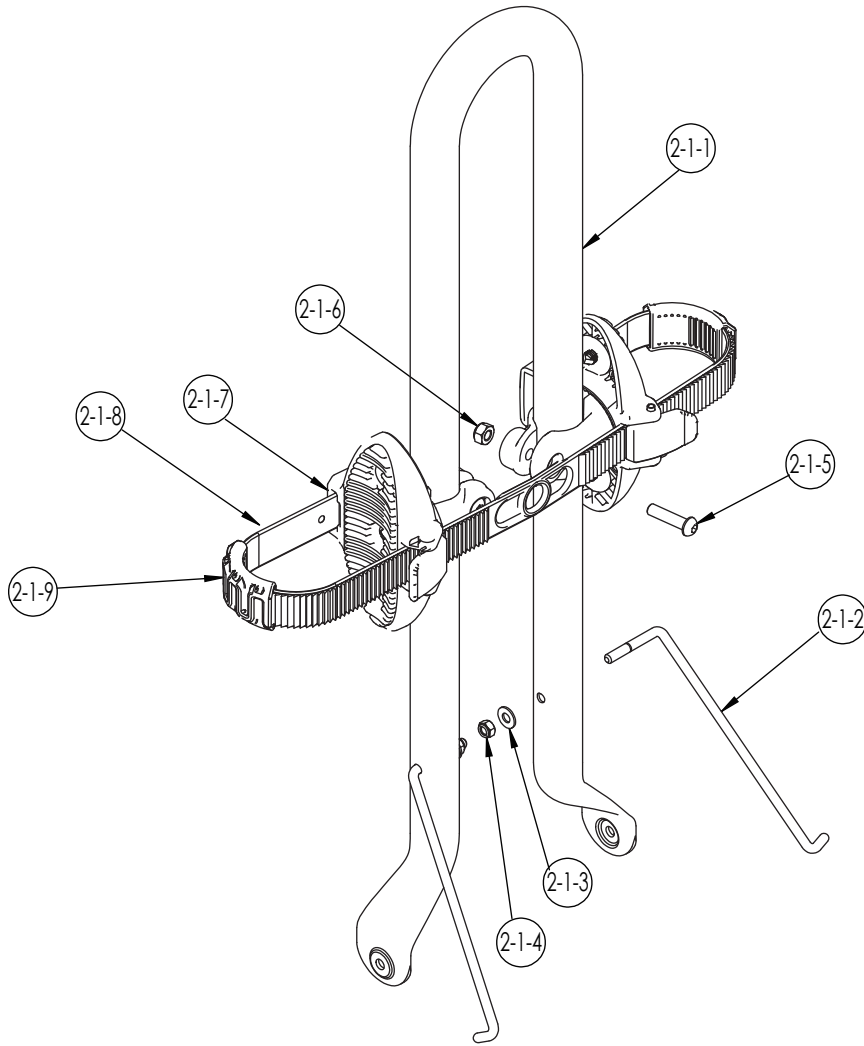


PART	DESCRIPTION	PART NUMBER	QTY.	PACK SIZE	PART	DESCRIPTION	PART NUMBER	QTY.	PACK SIZE
1-1-1	Conic Foot Assembly		1		1-1-21	Bushing	130-00728-01C	1	
1-1-2	Conical clamps	118-00146-00	4		1-1-22	Washer	142-1053-001-04D	1	
1-1-3	Square screw	140-0510-002-04D	1		1-1-23	Spring washer	142-2005-001-04D	1	
1-1-4	Square spring	145-00055-13D	1		1-1-24	Button head screw	140-1105-004-04D	1	
1-1-5	Washer	142-1105-003-04D	1		1-1-25	Conic protector	130-00609-01C	1	
1-1-6	Locking knob	3503-00127-99C	1		1-1-26				
1-1-7	Retainer	3509-00332-99C	1		1-1-27				
1-1-8	Button head screw	140-1108-012-04D	1		1-1-28				
1-1-9	Eye screw	140-2208-001-04D	1		1-1-29				
1-1-10	Safety cover	130-00789-16C	1		1-1-30				
1-1-11	T-knob	3503-00126-16C	1						
1-1-12	Nylock nut	141-0108-001-04D	1						
1-1-13	End cap	130-00705-01C	2						
1-1-14	Cap	130-00459-01C	1						
1-1-15	Carriage bolt M12	140-0112-008-04D	1						
1-1-16	Washer	142-1130-005-04D	1						
1-1-17	Nylock nut	141-0112-003-04D	1						
1-1-18	Wrench	3209-00369-16C	1						
1-1-19	Washer	142-1141-001-04D	1						
1-1-20	Spring	145-00034-13D	1						



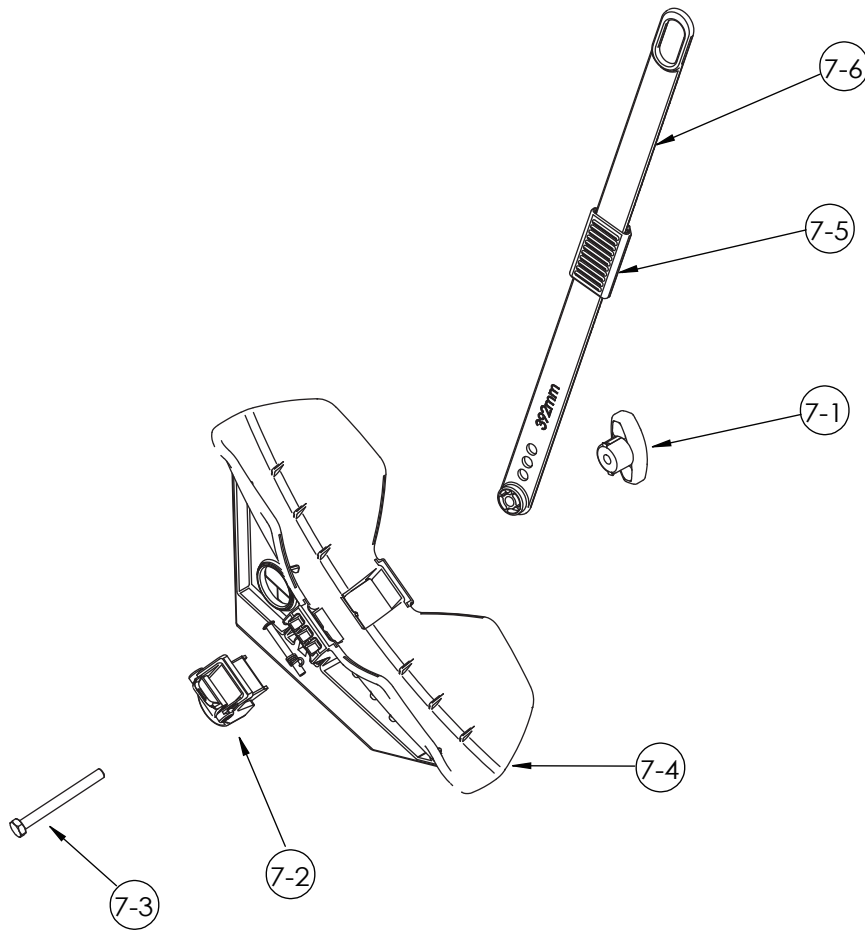
PART	DESCRIPTION	PART NUMBER	QTY.	PACK SIZE
2-1	U tube		1	
2-2	Wheel support tube	3202-00123-44P	2	
2-3	Washer	142-1065-003-04D	4	
2-4	Nylock nut M6x1.0	141-0106-001-04D	2	
2-5	Screw cap M6	130-00458-01C	2	
2-6	Cap	130-00340-01C	4	
2-7	Button head screw M6x45mm	140-1106-038-04D	2	
2-8				
2-9				
2-10				

PART	DESCRIPTION	PART NUMBER	QTY.	PACK SIZE



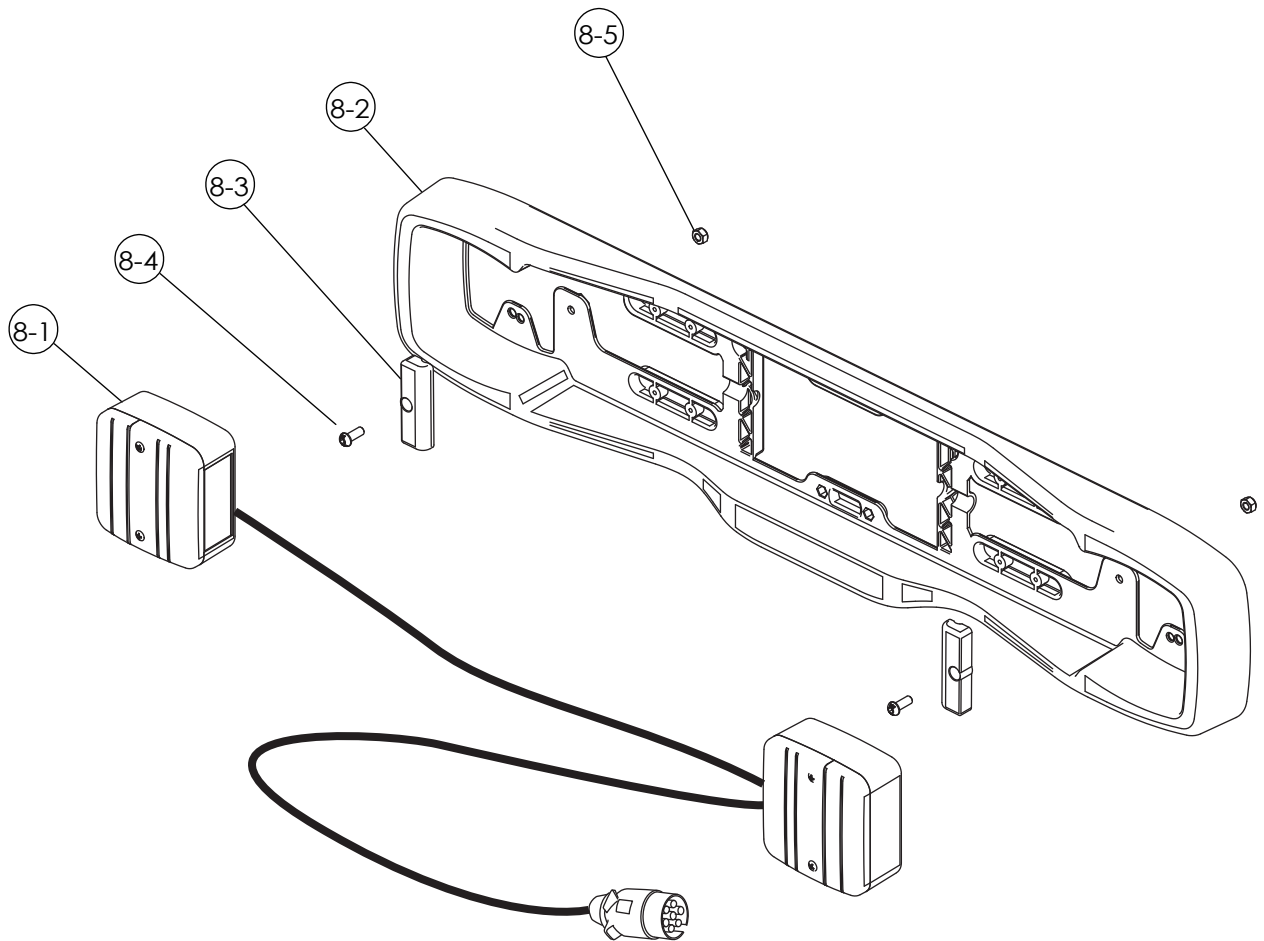
PART	DESCRIPTION	PART NUMBER	QTY.	PACK SIZE
2-1-1	Vertical tube	3201-00401-00	1	
2-1-2	Adjustment rod	3209-00278-04D	2	
2-1-3	Washer	142-1050-001-04D	2	
2-1-4	Nylock nut	141-0105-001-04D	2	
2-1-5	Screw	140-1106-005-04D	2	
2-1-6	Nylon nut	141-0106-001-04D	2	
2-1-7	Clamp assembly		2	
2-1-8	Strap pad	130-00637-16C	2	
2-1-9	Ratchet strap	130-00777-01C	2	

PART	DESCRIPTION	PART NUMBER	QTY.	PACK SIZE



PART	DESCRIPTION	PART NUMBER	QTY.	PACK SIZE
7-1	T-knob	3509-00319-01C	1	
7-2	Ratchet assembly	3509-00341-16C	1	
7-3	Carriage bolt M6x65mm	140-0306-047-04D	1	
7-4	Wheel support	130-00790-16C	1	
7-5	Strap pad	130-00637-16C	1	
7-6	Ratchet strap	130-00590-01C	1	
7-7				
7-8				
7-9				
7-10				

PART	DESCRIPTION	PART NUMBER	QTY.	PACK SIZE



PART	DESCRIPTION	PART NUMBER	QTY.	PACK SIZE	PART	DESCRIPTION	PART NUMBER	QTY.	PACK SIZE
8-1	Light(7-pin/DF-TK003) 1650mm	139-00126-01C	1						
8-2	Light board	3508-00808-99C	1						
8-3	License hook	130-00308-01C	2						
8-4	Bottom head screw M6x16mm	140-1106-031-04D	2						
8-5	Nylon nut	141-0106-001-04D	2						