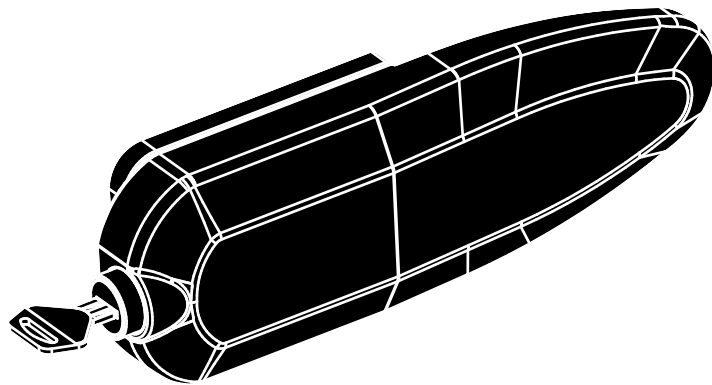
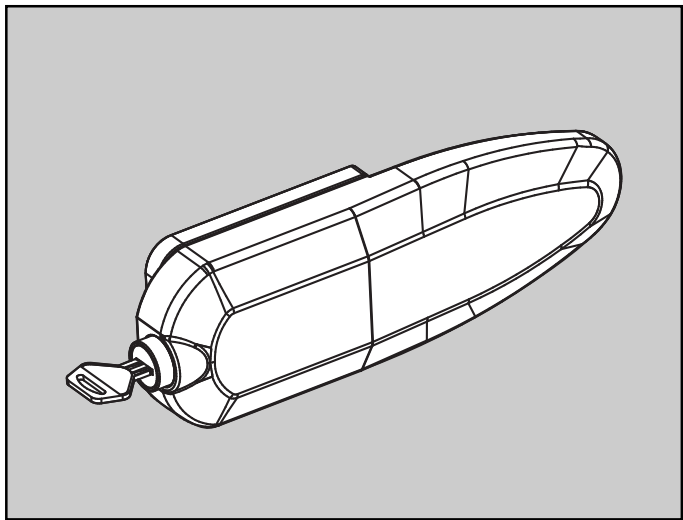
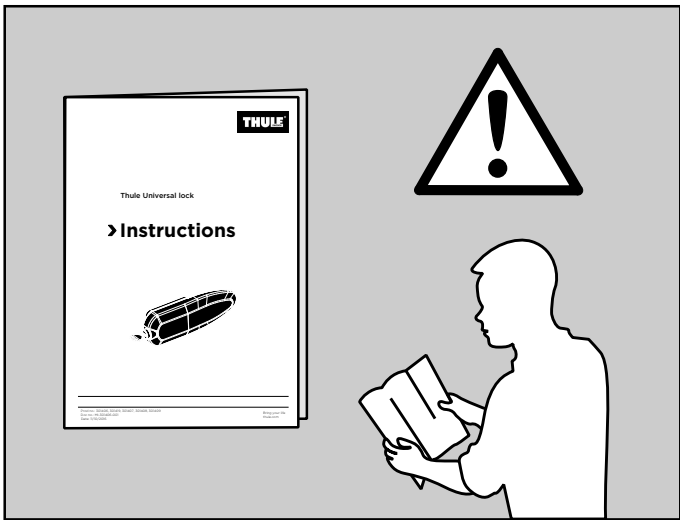


Thule Universal lock

# ➤ Instructions





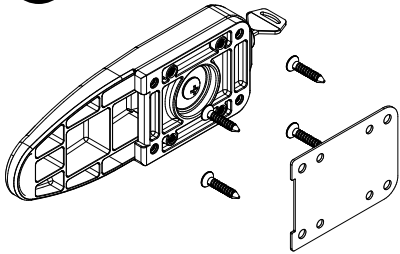
<b>(A)</b>	<b>x4</b> M6 x 10	
<b>(B)</b>	<b>x4</b> M6	
<b>(C)</b>	<b>x4</b> M6	
<b>(D)</b>	<b>x4</b> 4,2 x 25	
<b>(E)</b>	<b>x2</b> 4,2 x 38	
<b>(F)</b>	<b>x4</b> M6 x 45	

# Thule Universal lock

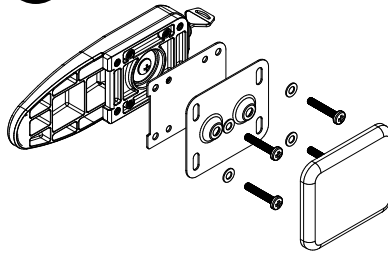
“One Lock fits all”, 3 different mounting options with the same lock !

## 1 Mounting options

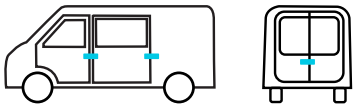
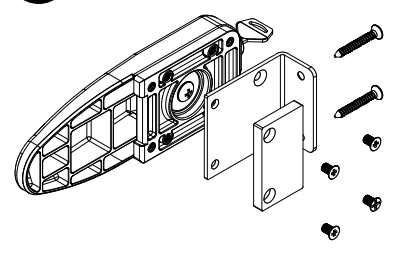
①



②



③



### Surface mounted installation

For sliding door, cabin doors or double rear doors of a Van.



### Wall mounted installation

For Motorhome or Caravan entrance door, garage door or hatches.



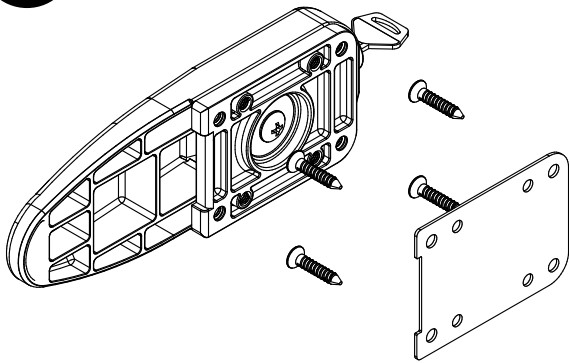
### Door frame mounted installation

For Motorhome or Caravan entrance door, garage door or hatches.

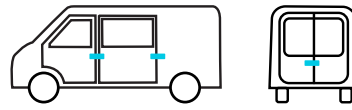


## 1.1 Surface mounted installation

1

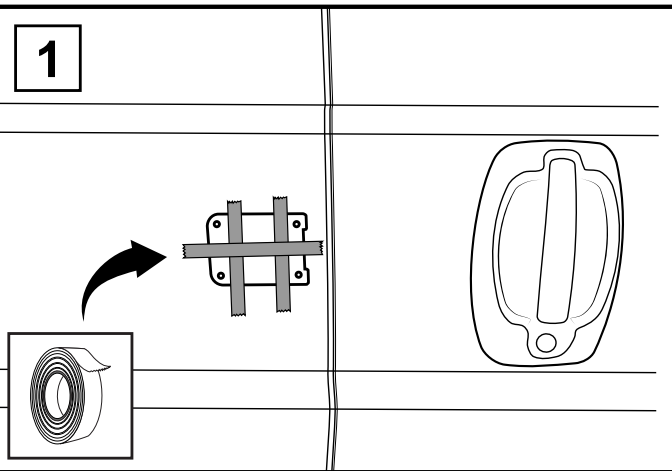


i

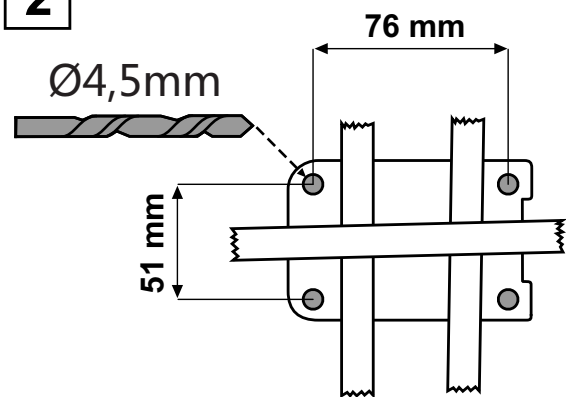


**Surface mounted installation \*** ( Read page 5 before mounting )  
For sliding door, cabin doors or double rear doors of a Van.

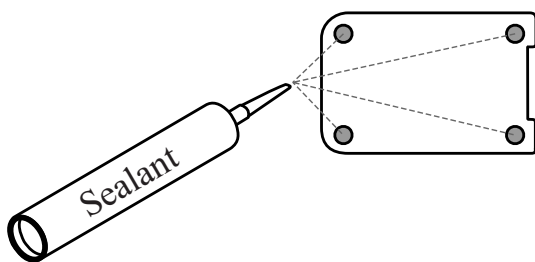
1



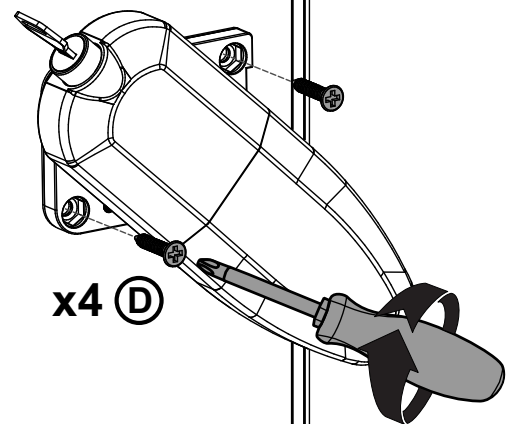
2



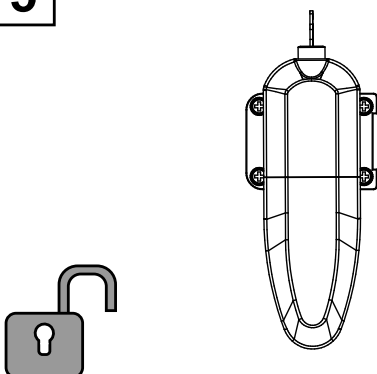
3



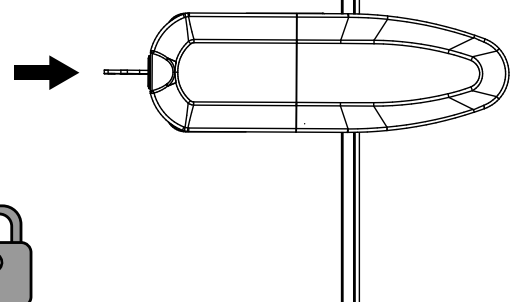
4



5

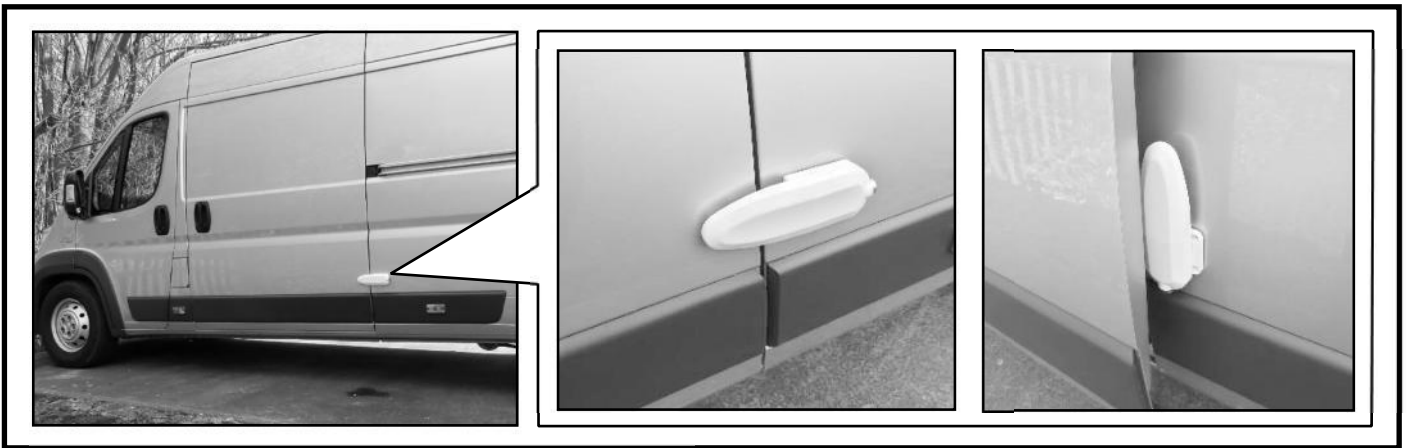


6

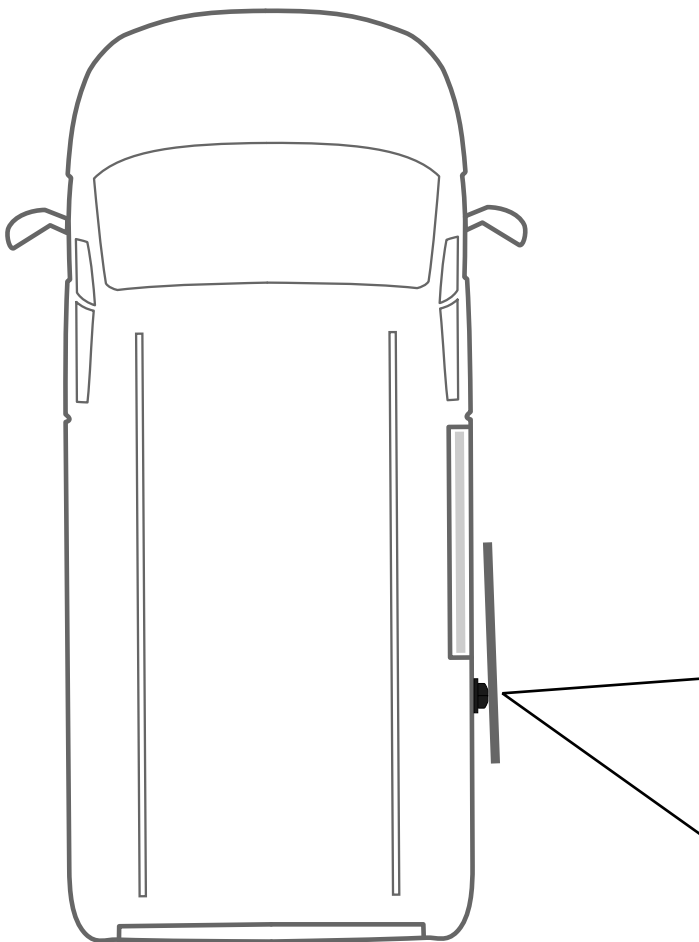




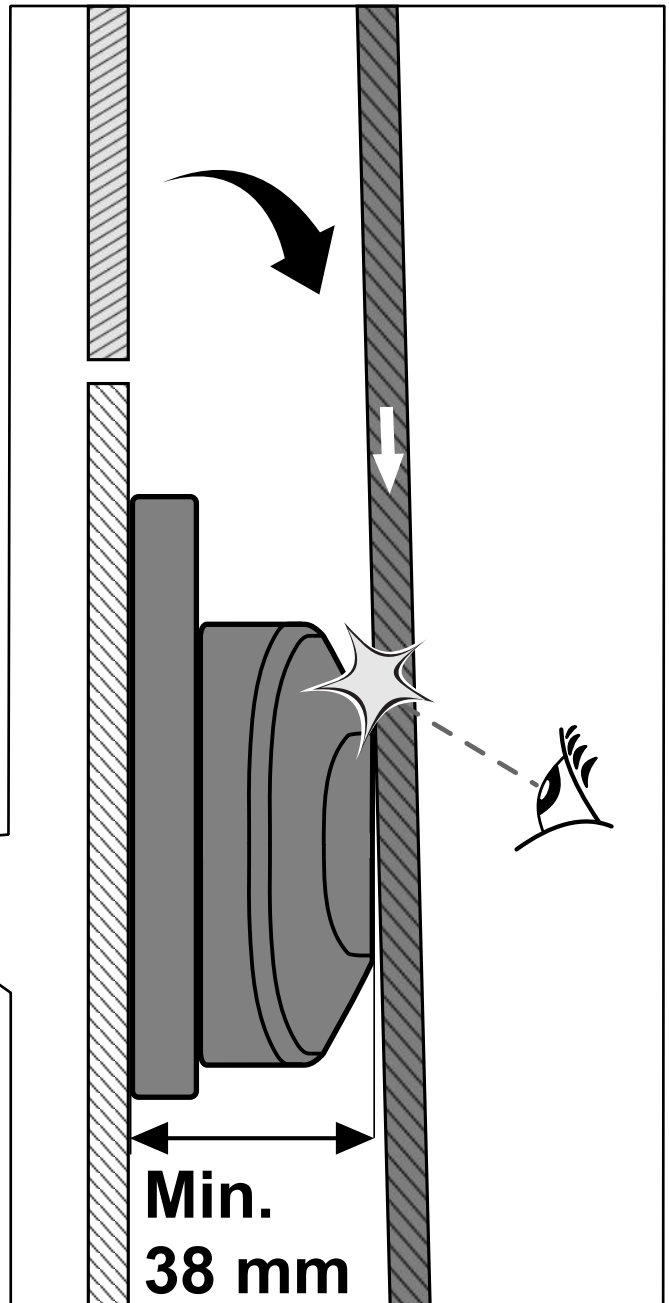
(\*) Warning sliding door



**i** Check before installation



**i** In case of collision  
Solutions to avoid collision,  
look at page 6.



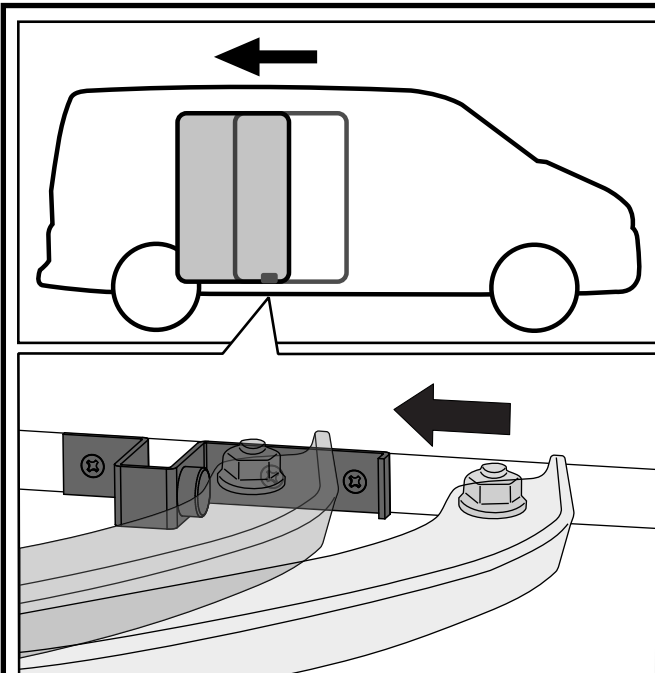
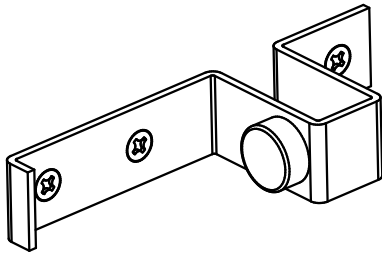


## Solutions to avoid collision

In order to avoid collision between the van door and the lock. Two options are given.

### **A** Door stop

A door stopper can be mounted in the lower door rail. This can stop the door before collision appears between the door and the lock.



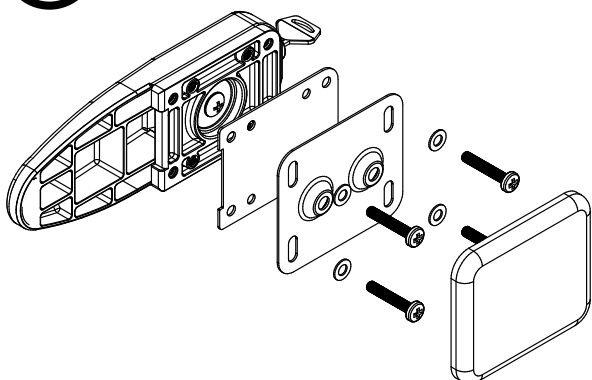
### **B** Mounting place

The lock can be mounted higher on the surface. In general there is more place inbetween the door and the lock.



## 1.2 Wall mounted installation

2



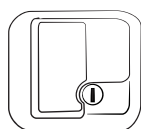
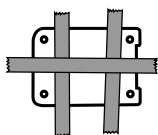
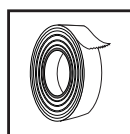
i



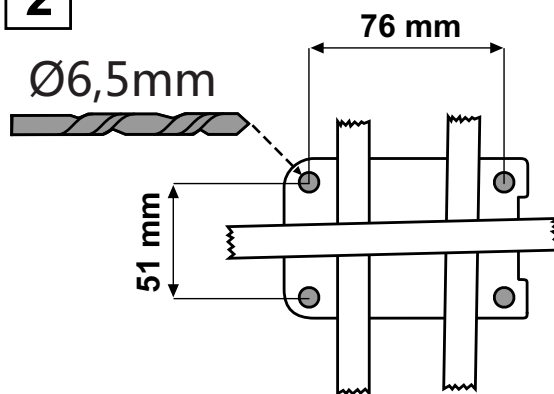
### Wall mounted installation

For Motorhome or Caravan entrance door, garage door or hatches.

1

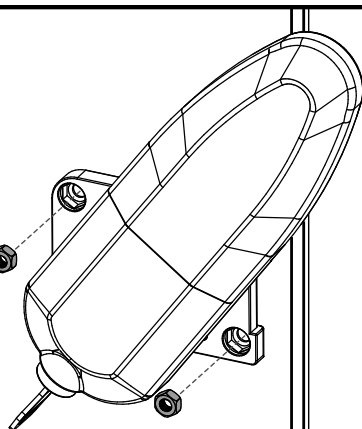


2



3

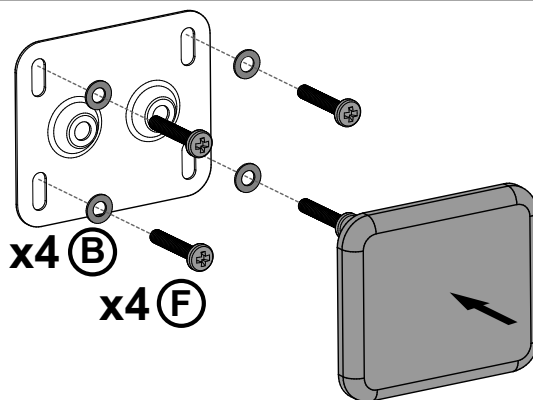
x4 (C)



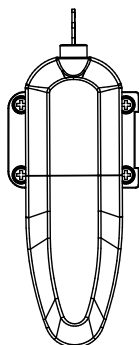
4

x4 (B)

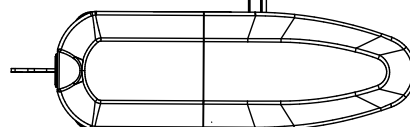
x4 (F)



5

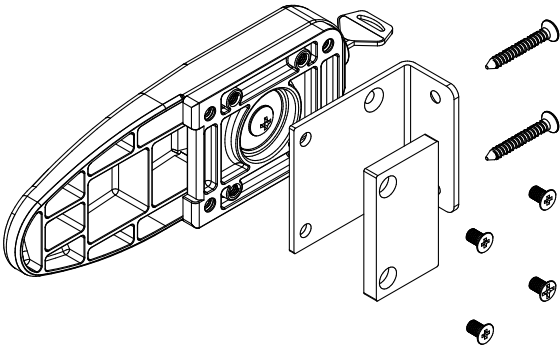


6

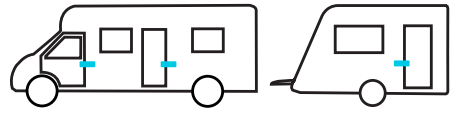


# 1.3 Door frame mounted installation

3



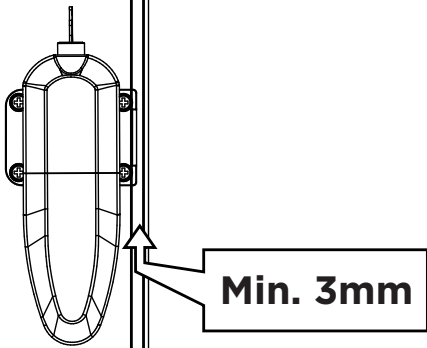
i



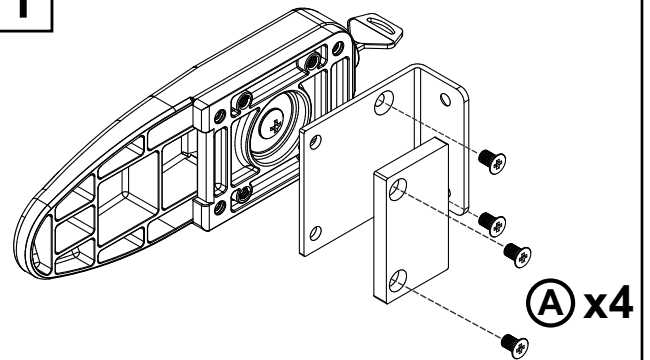
## Door frame mounted installation

For Motorhome or Caravan entrance door, garage door or hatches.

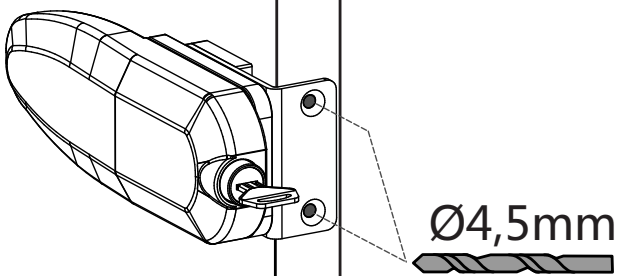
i



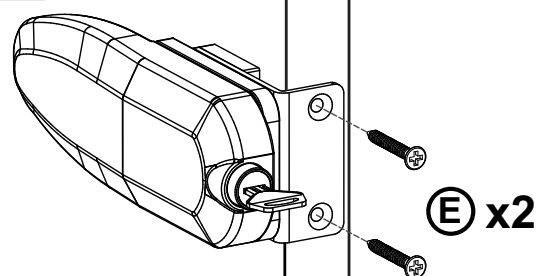
1



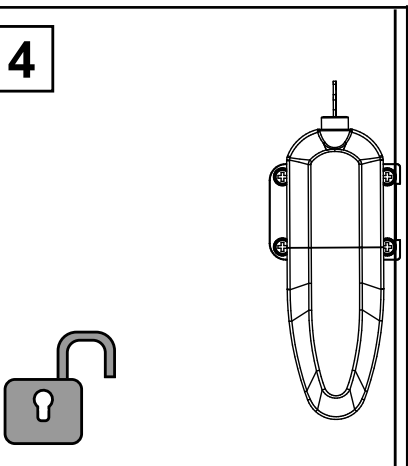
2



3



4



5

