

# 1

## Kit 187052

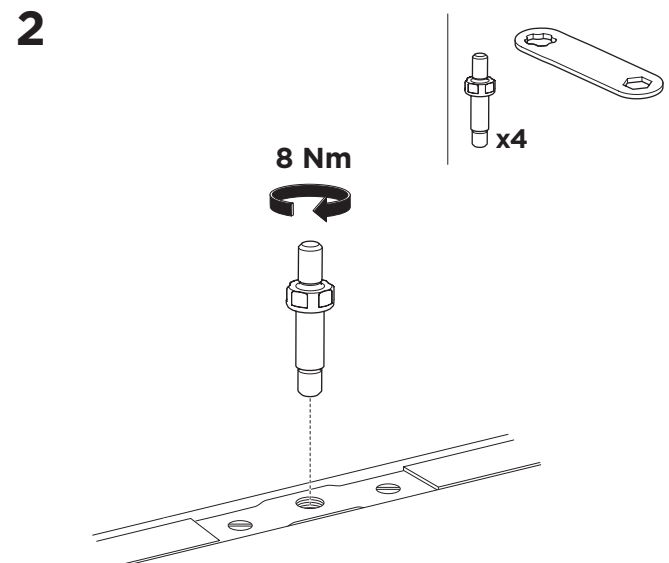
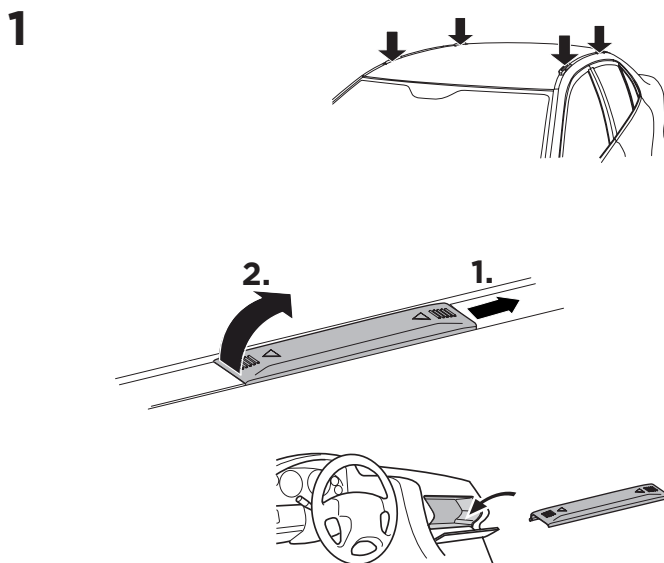
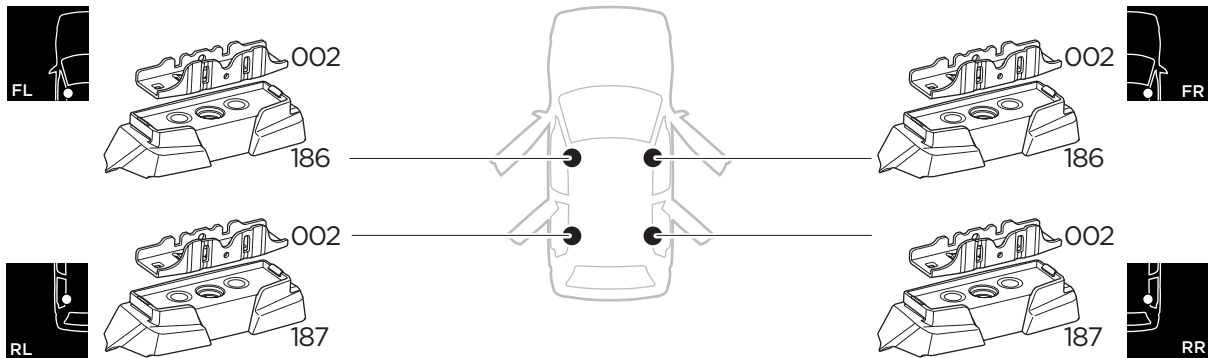
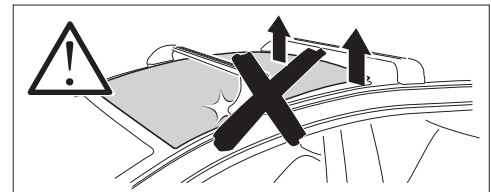
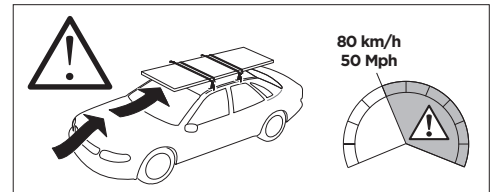
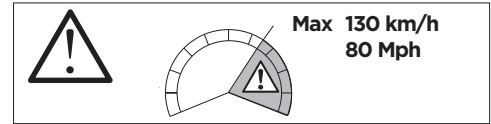
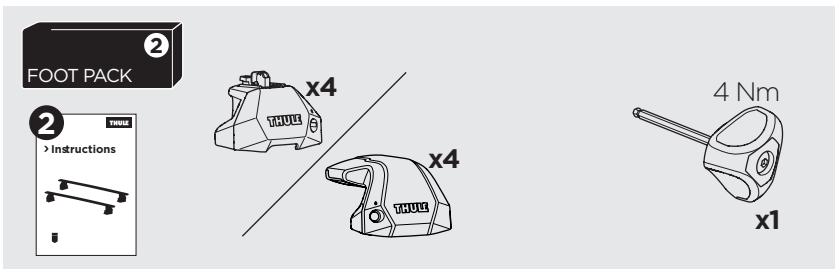
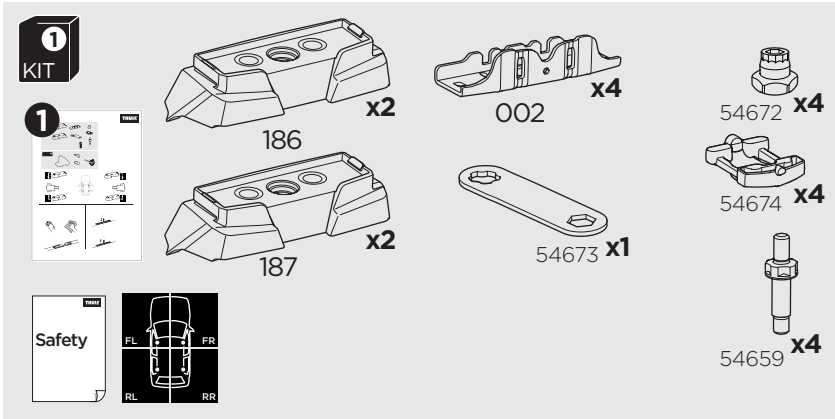
CITROËN C4 Aircross, 5-dr SUV, 12-18  
 MITSUBISHI ASX, 5-dr SUV, 10-  
 MITSUBISHI Outlander Sport, 5-dr SUV, \*11-  
 MITSUBISHI RVR, 5-dr SUV, 10-

\*North America

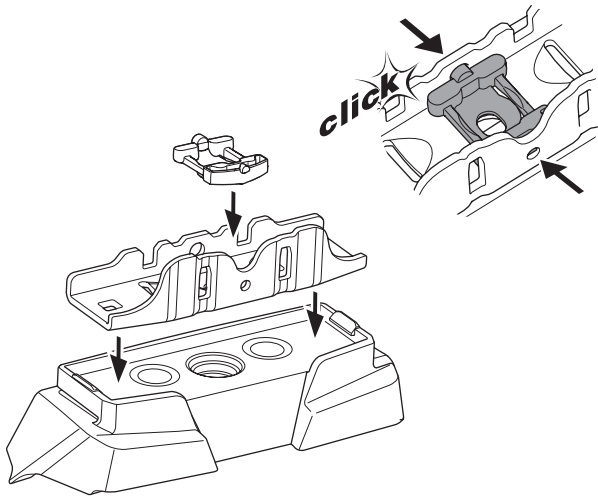


ISO 11154-E

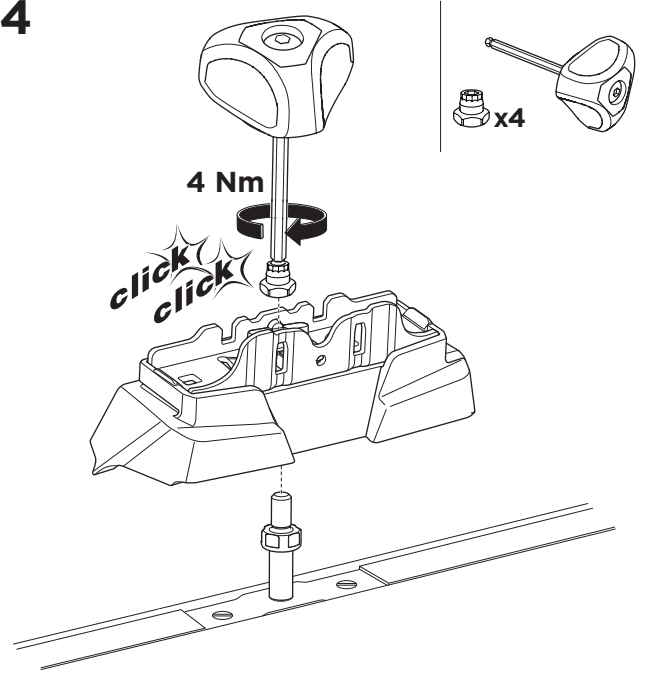
This kit is only for vehicles with fixpoint mounting.



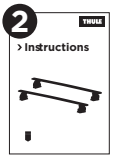
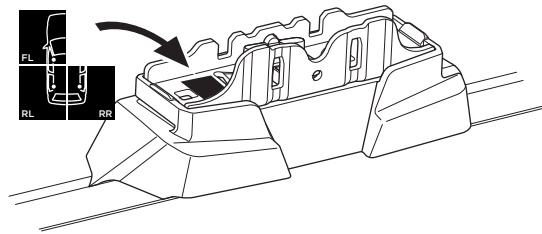
3



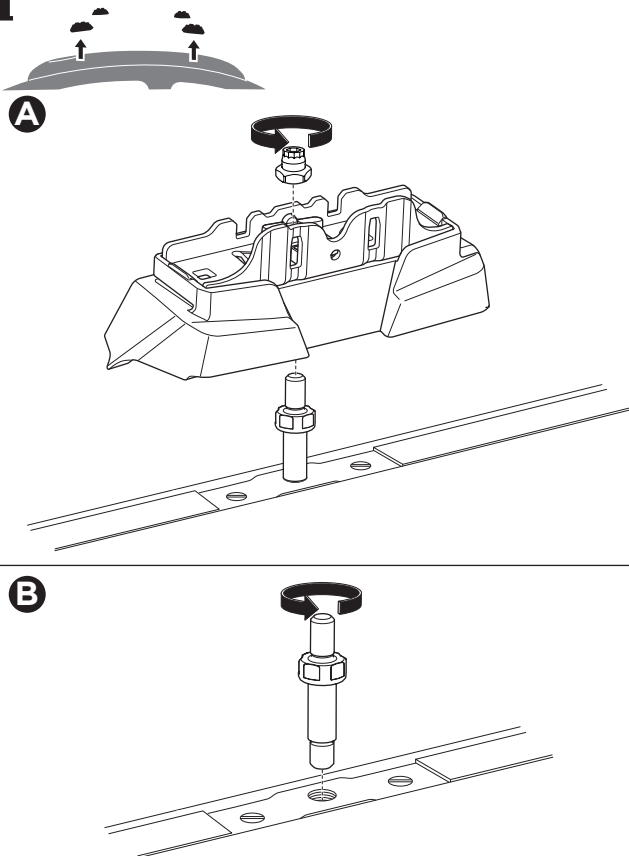
4



5



i



C

