

1

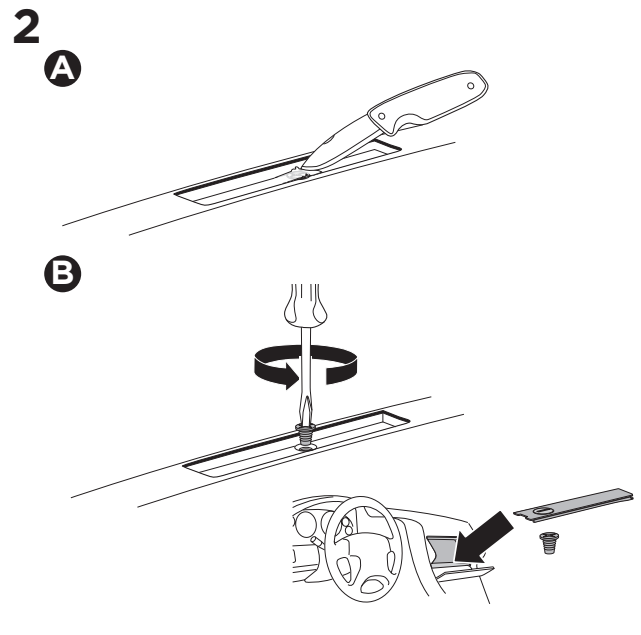
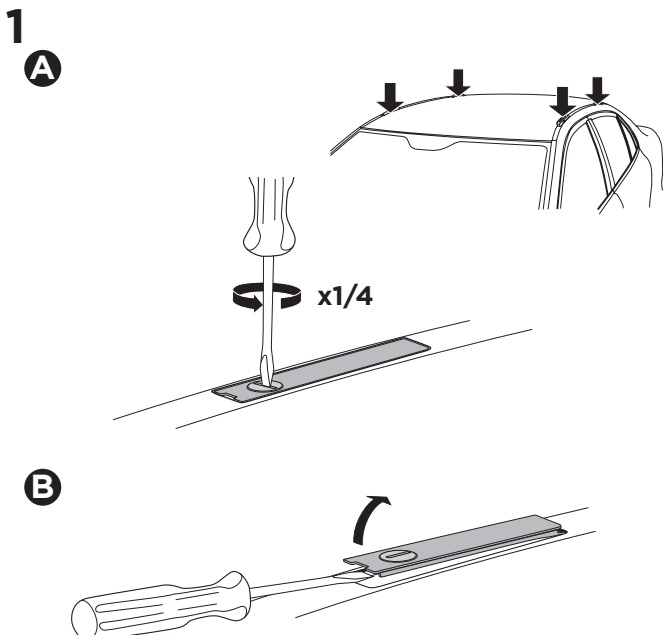
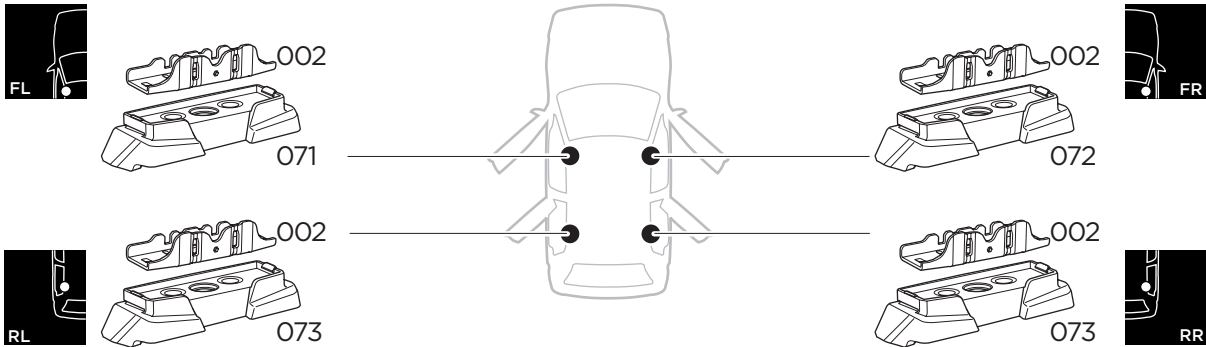
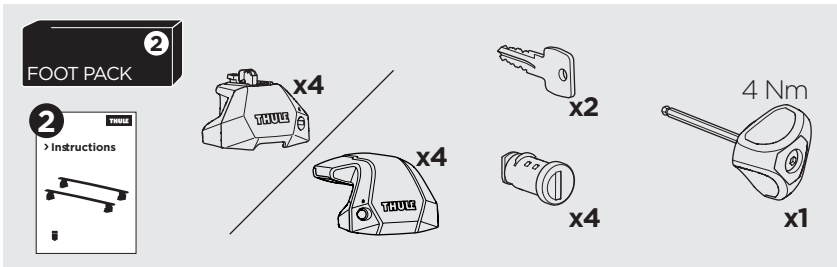
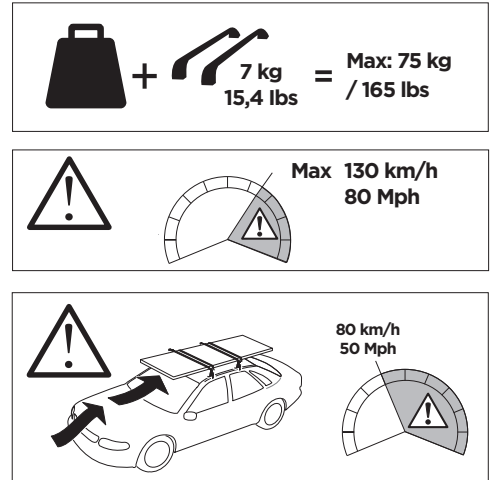
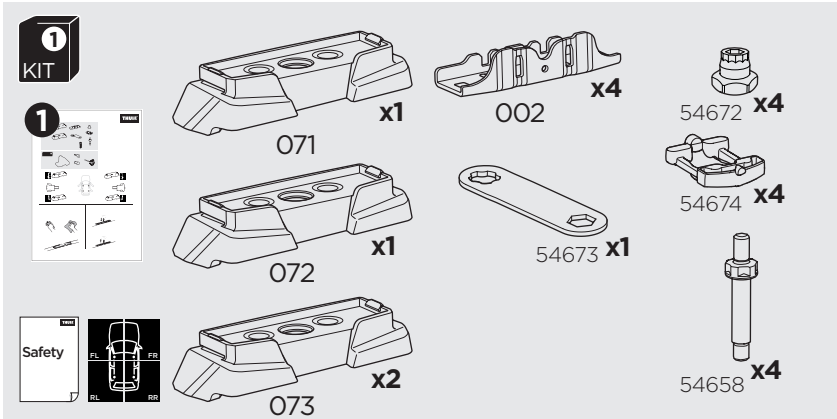
Kit 187087

FORD Focus II, 5-dr Estate, 05-07, 08-11
 FORD Focus II, 5-dr Hatchback, 05-07, 08-11

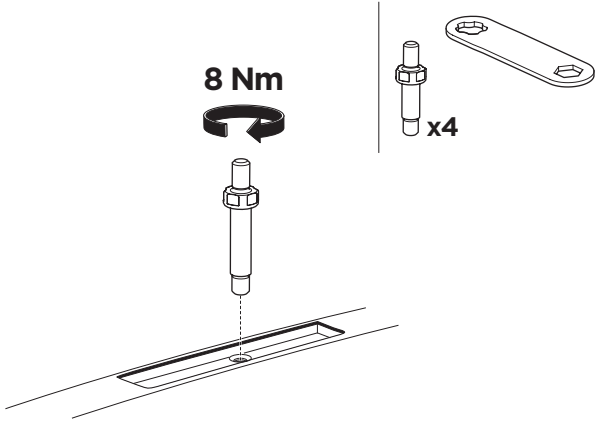


ISO 11154-E

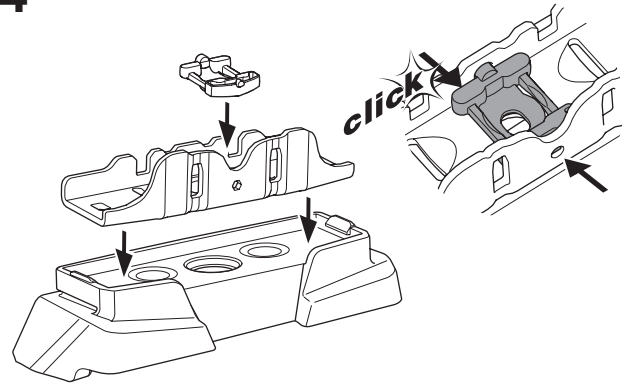
This kit is only for vehicles with fixpoint mounting.



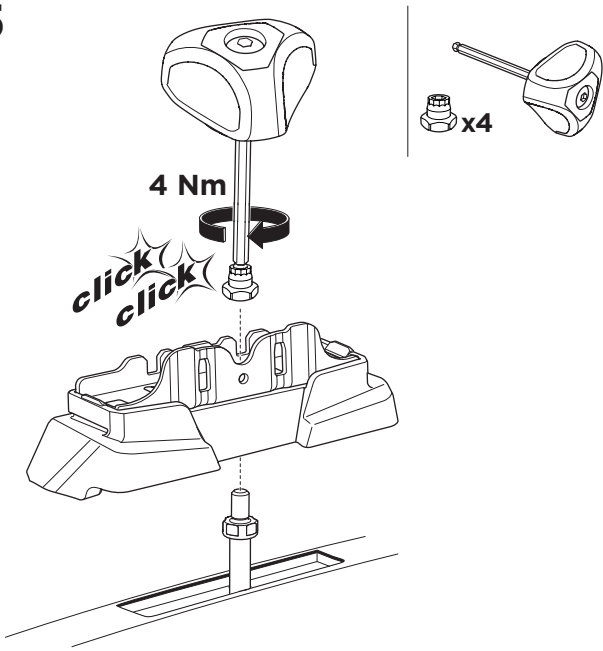
3



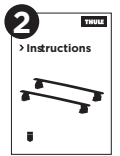
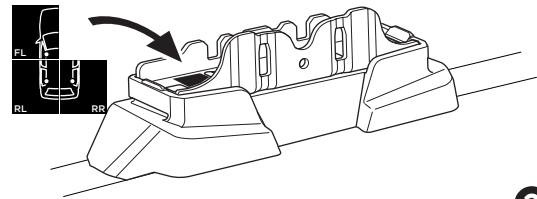
4



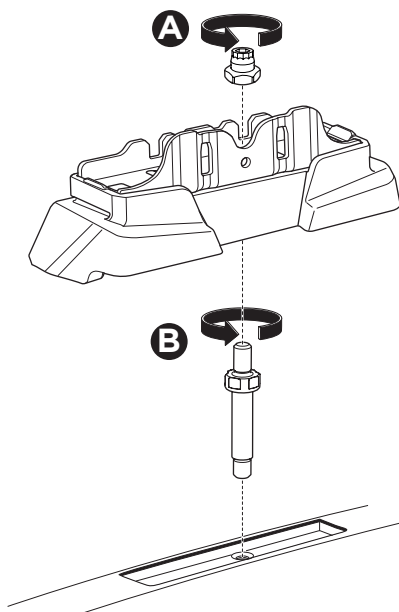
5



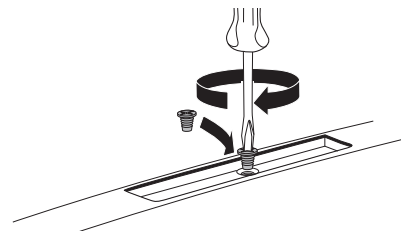
6



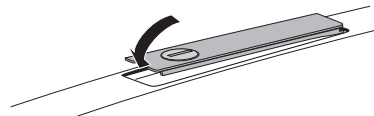
i



C



D



E

