

1

Kit 145192

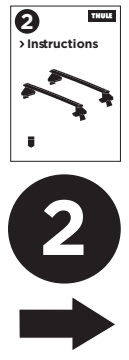
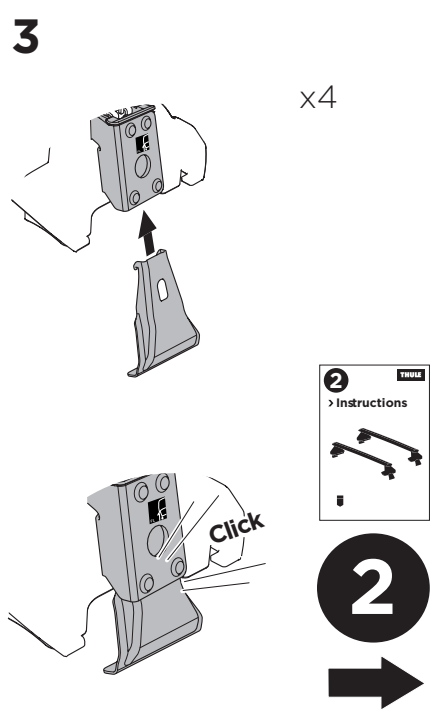
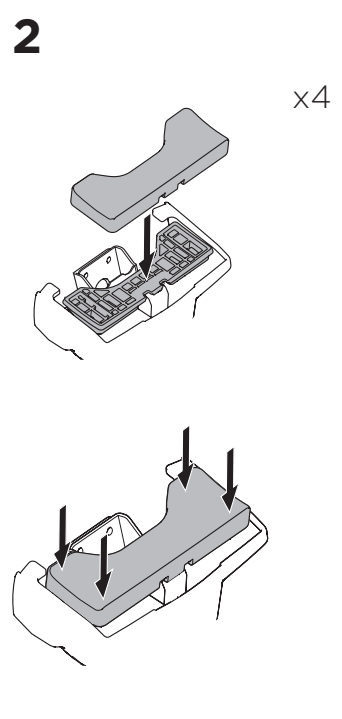
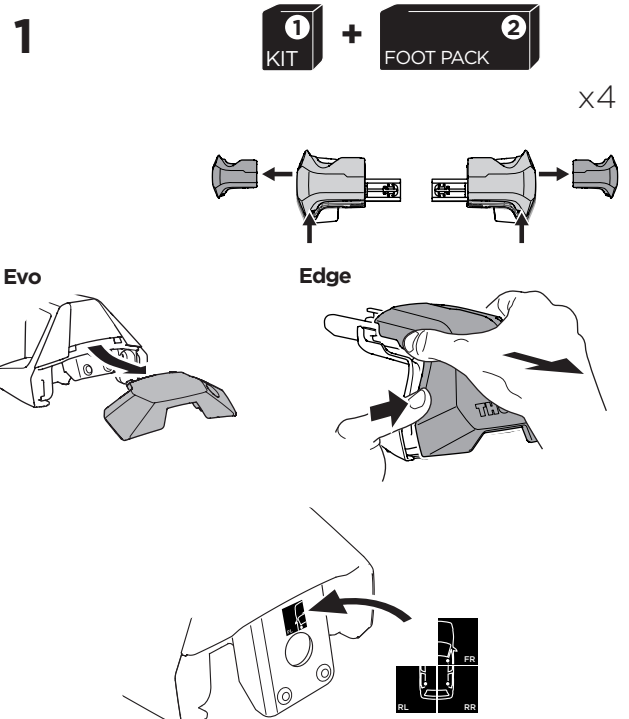
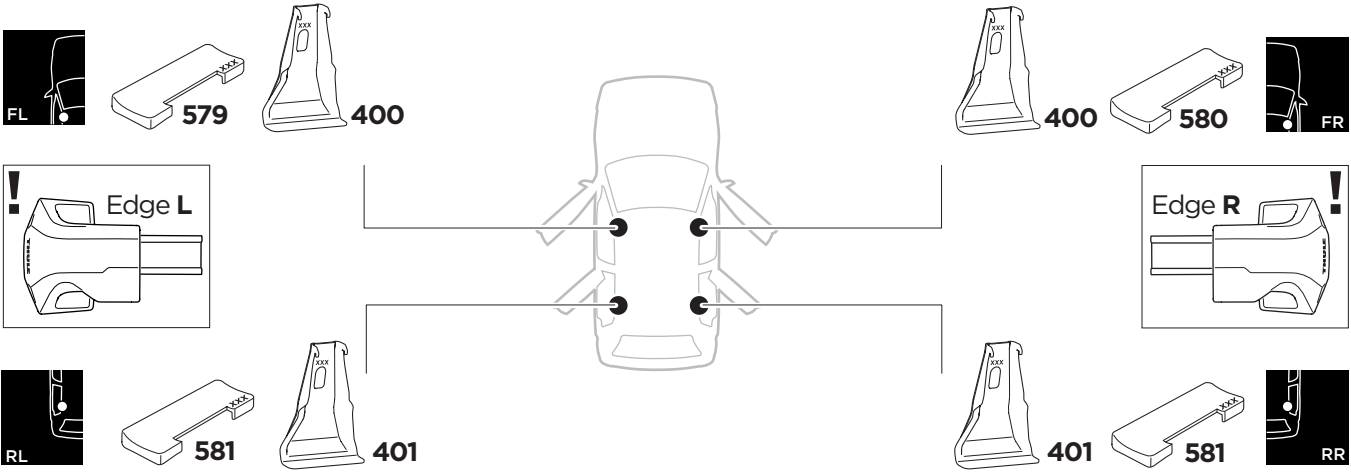
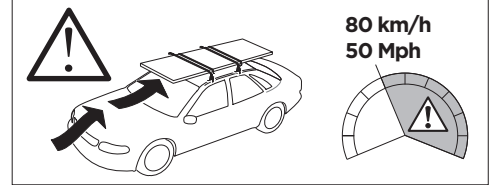
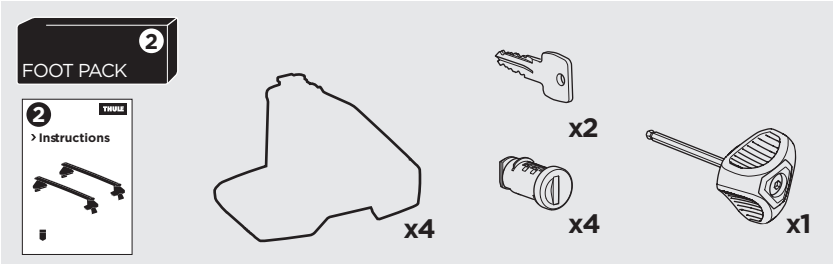
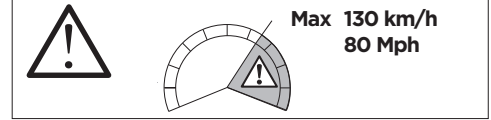
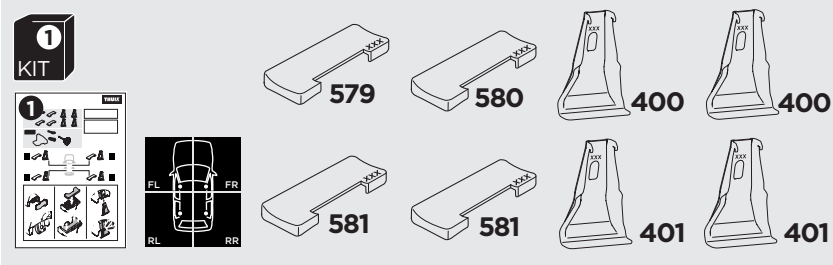
FORD Escape, 5-dr SUV, *12-19

FORD Kuga (Mk. II), 5-dr SUV, 12-20

*North America



ISO 11154-E





THULE WingBar Evo	THULE WingBar Edge	THULE WingBar	THULE SquareBar Evo	Evo X (scale)	Edge X (scale)
FORD Escape, 5-dr SUV, *12-19				45	G
FORD Kuga (Mk. II), 5-dr SUV, 12-20				45	G

THULE ProBar Evo	THULE SlideBar Evo	X (mm/inch)
FORD Escape, 5-dr SUV, *12-19		1101 mm / 43 3/8"
FORD Kuga (Mk. II), 5-dr SUV, 12-20		1101 mm / 43 3/8"



THULE WingBar Evo	THULE WingBar Edge	THULE WingBar	THULE SquareBar Evo	Evo Y (scale)	Edge Y (scale)
FORD Escape, 5-dr SUV, *12-19				41	O
FORD Kuga (Mk. II), 5-dr SUV, 12-20				41	O

THULE ProBar Evo	THULE SlideBar Evo	Y (mm/inch)
FORD Escape, 5-dr SUV, *12-19		1061 mm / 41 3/4"
FORD Kuga (Mk. II), 5-dr SUV, 12-20		1061 mm / 41 3/4"

	W (mm/inch)	Z (mm/inch)
FORD Escape, 5-dr SUV, *12-19	700 mm / 27 1/2"	305 mm / 12"
FORD Kuga (Mk. II), 5-dr SUV, 12-20	700 mm / 27 1/2"	305 mm / 12"

