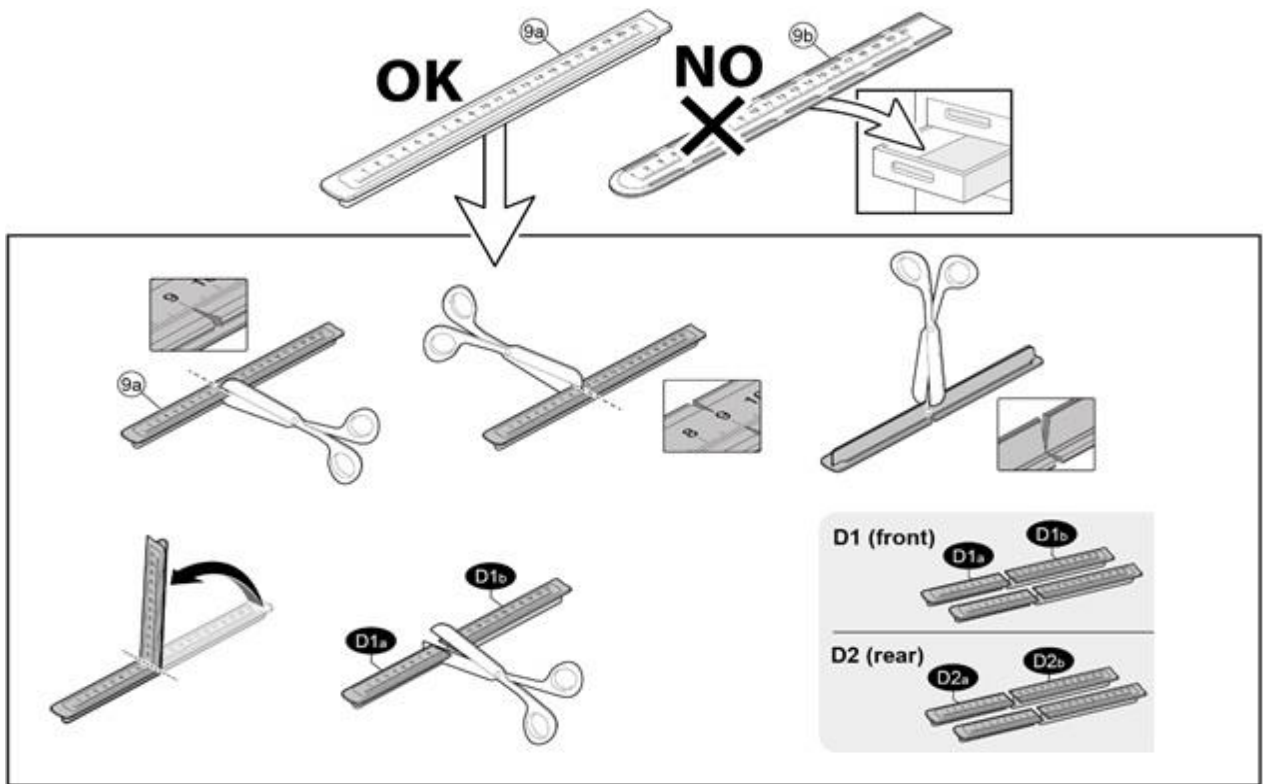


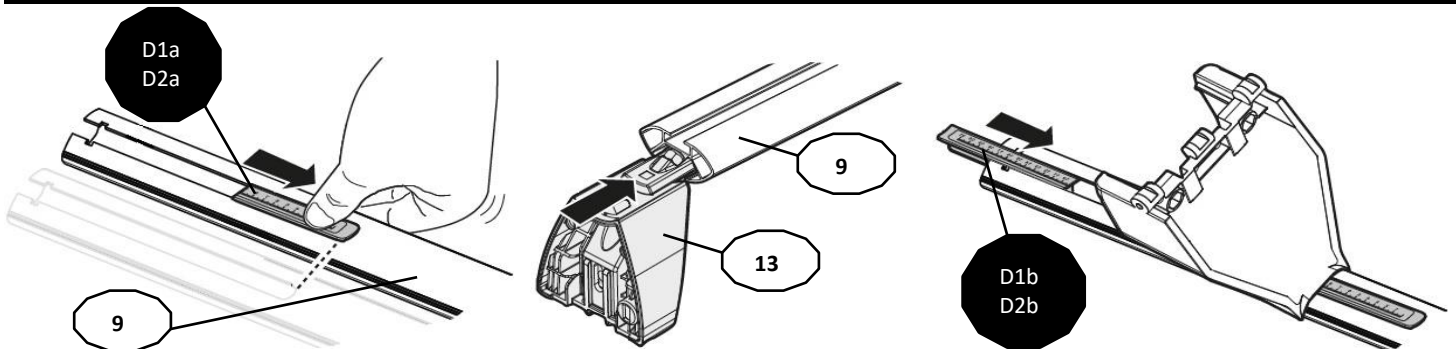
## FIXING KIT DELTA

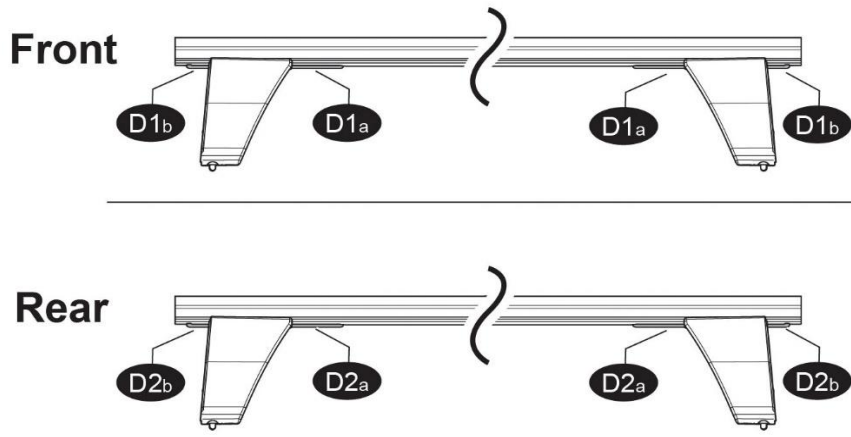
**1**



MANUFACTURER	MODEL CAR	DOORS	MODEL YEAR	D1	D2
FIAT	Bravo	3	95>01	9,0	7,6
HONDA	HR-V I (No rails)	3	99>05	9,1	7,0

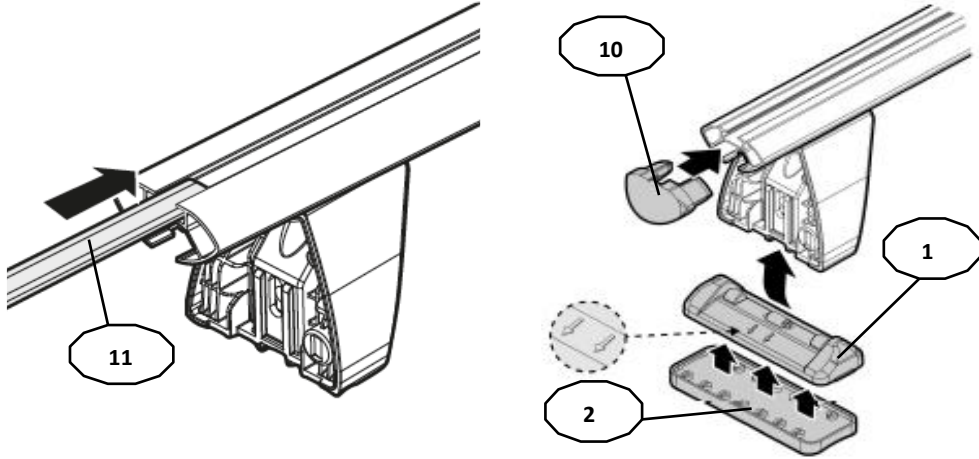
**2**



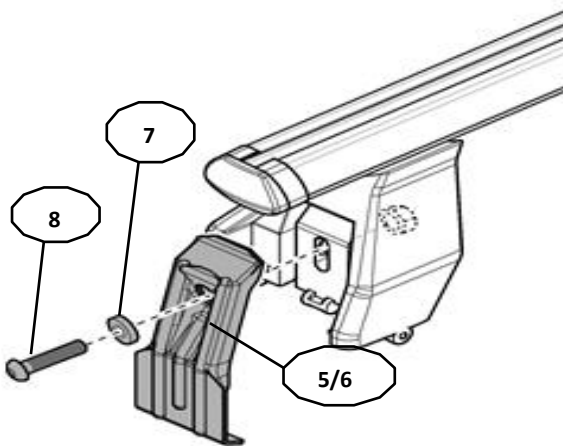


**3**

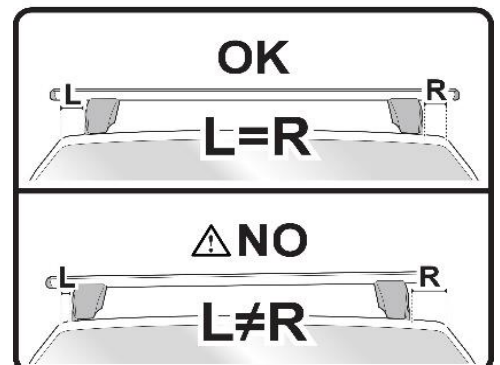
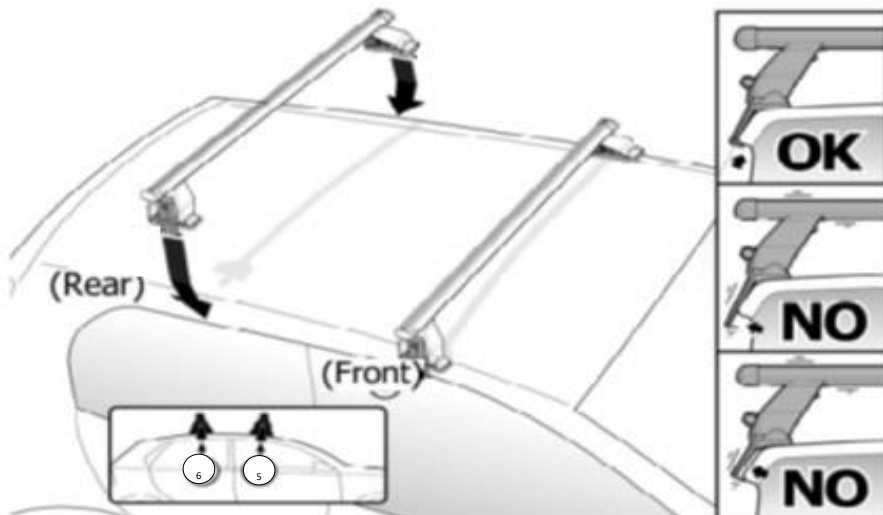
**x4**

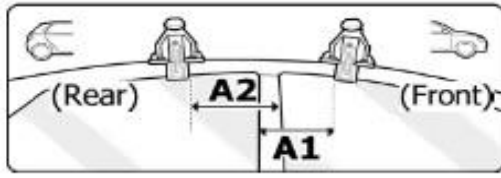


**4**

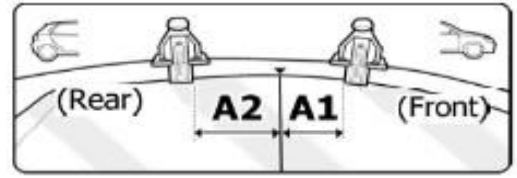


Front	Rear
5	6
14	14R
2X	2X





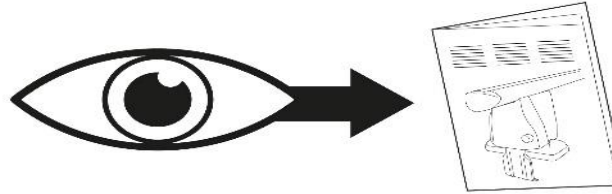
OR



MANUFACTURER	MODEL CAR	DOORS	MODEL YEAR	A1	A2	A1	A2
				cm	cm	in	in
FIAT	Bravo	3	95>01	X	X	X	X
HONDA	HR-V I (No rails)	3	99>05	29	49	11,4	19,3

X = predisposizione originale /original arrangement

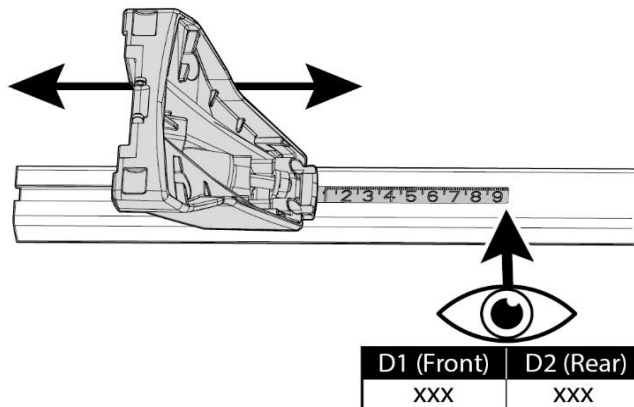
**5**



**MANUAL DELTA**

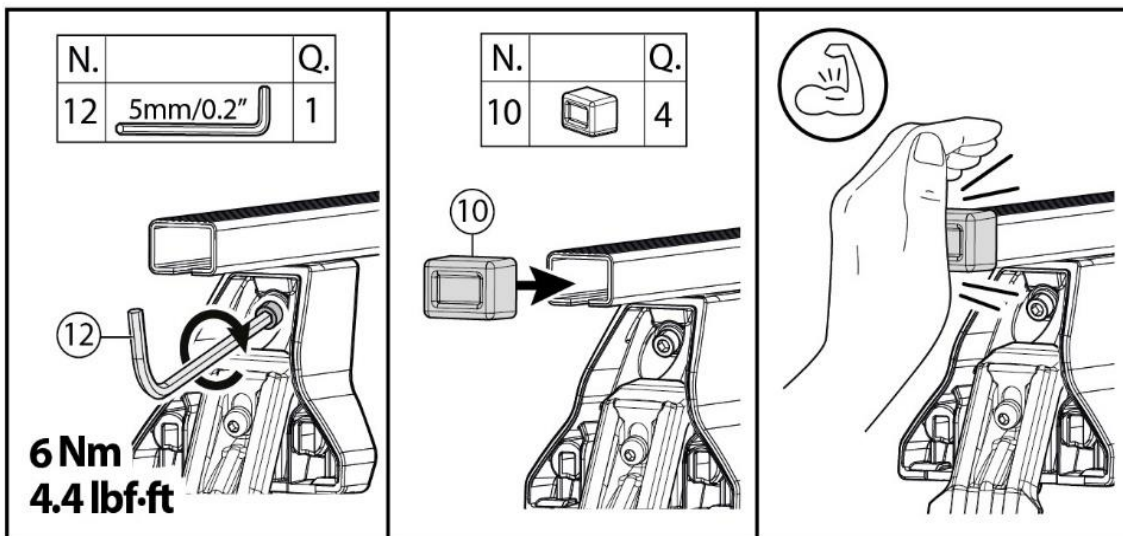
# FIXING KIT OMEGA

2

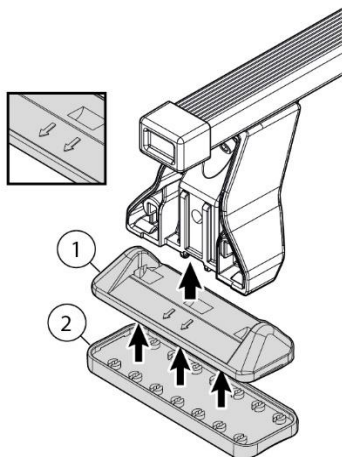


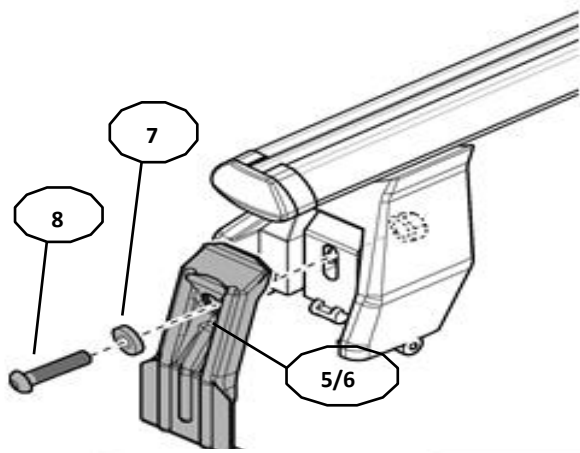
MANUFACTURER	MODEL CAR	DOORS	MODEL YEAR	D1	D2
FIAT	Bravo	3	95>01	9,0	7,6
HONDA	HR-V I (No rails)	3	99>05	9,1	7,0

3

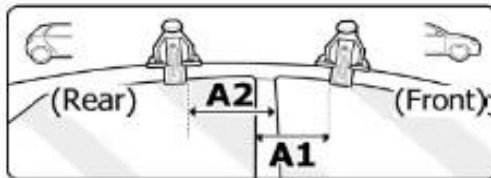
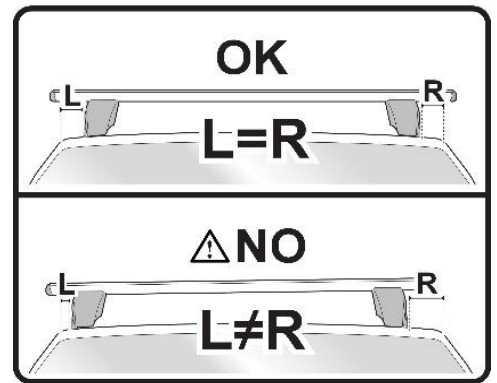
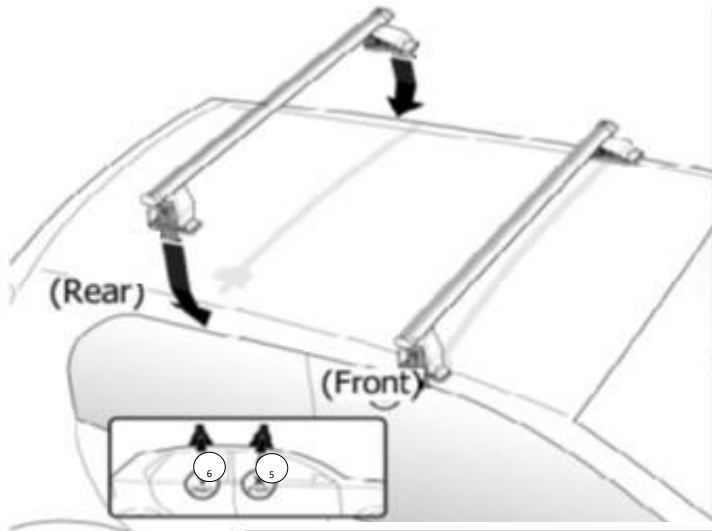


4

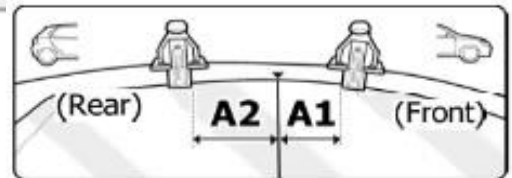




Front 5	Rear 6
14 2X	14R 2X

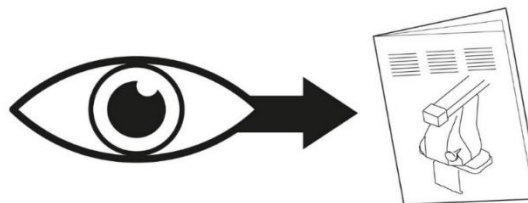


OR



MANUFACTURER	MODEL CAR	DOORS	MODEL YEAR	A1	A2	A1	A2
				cm	cm	in	in
FIAT	Bravo	3	95>01	X	X	X	X
HONDA	HR-V I (No rails)	3	99>05	29	49	11,4	19,3

X = predisposizione originale /original arrangement



MANUAL OMEGA

NOTE:

---

---

---

---