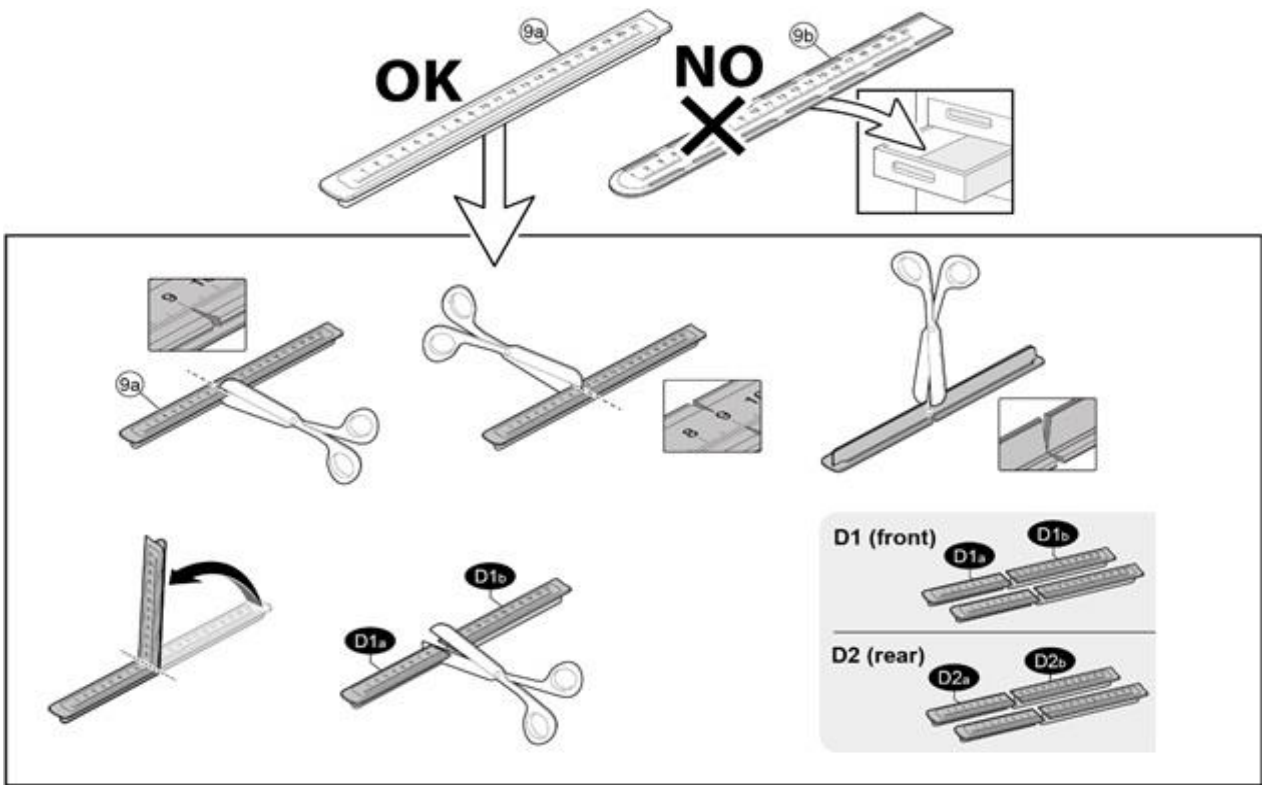


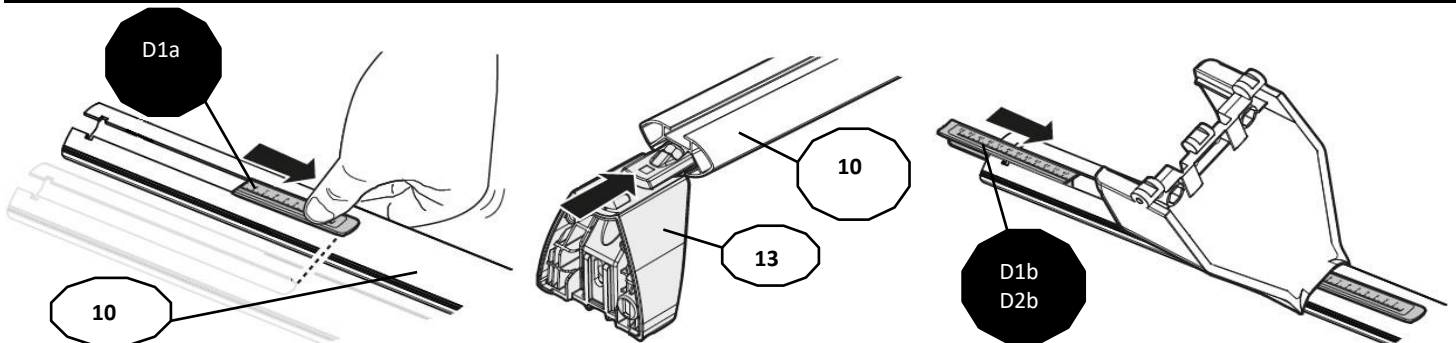
FIXING KIT DELTA

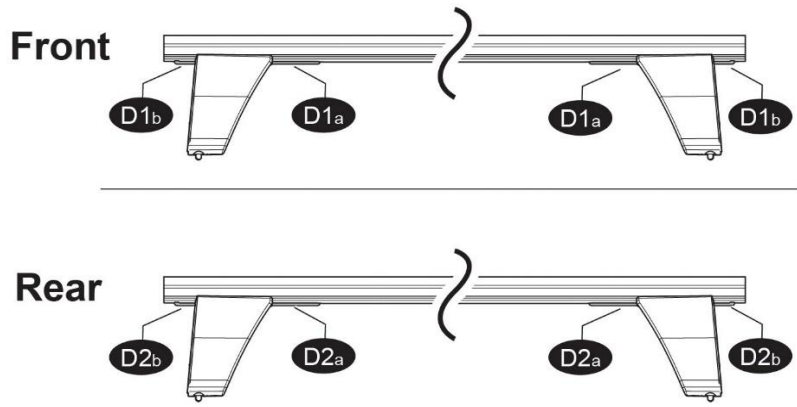
1



MANUFACTURER	MODEL CAR	DOORS	MODEL YEAR	D1	D2
FORD	Fiesta V	5	02>08	12,4	10,4
FORD	Fusion	5	02>12	13,5	10,7
HYUNDAI	Accent IV (RB) Sedan	4	11>18	10,6	10,6

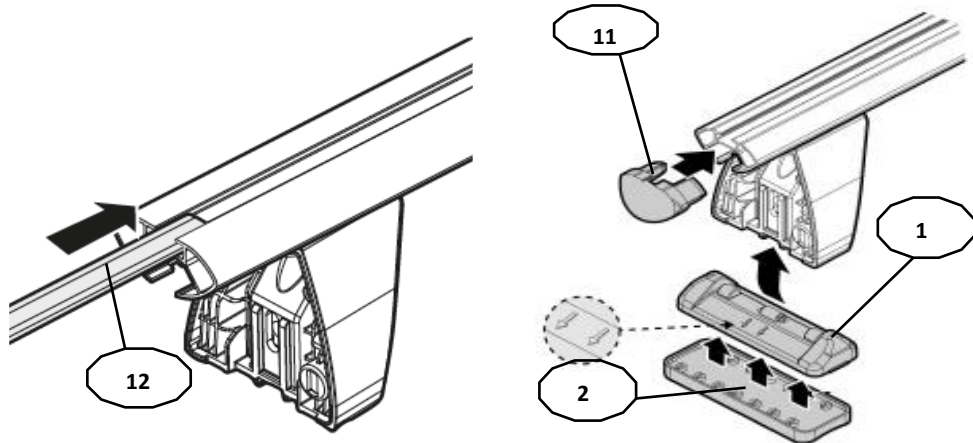
2



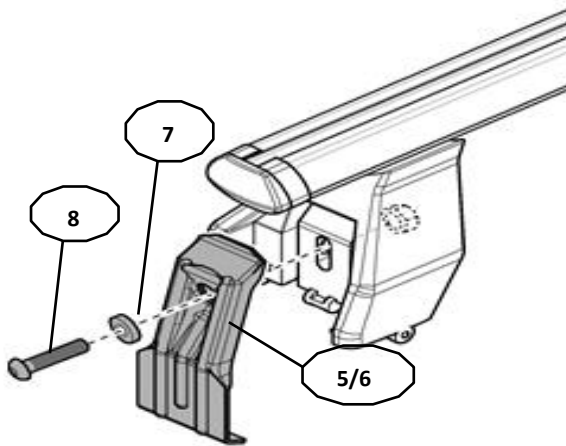


3

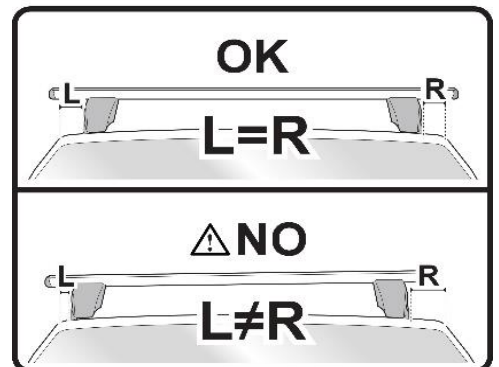
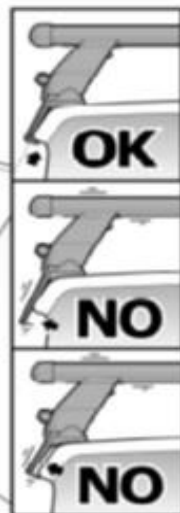
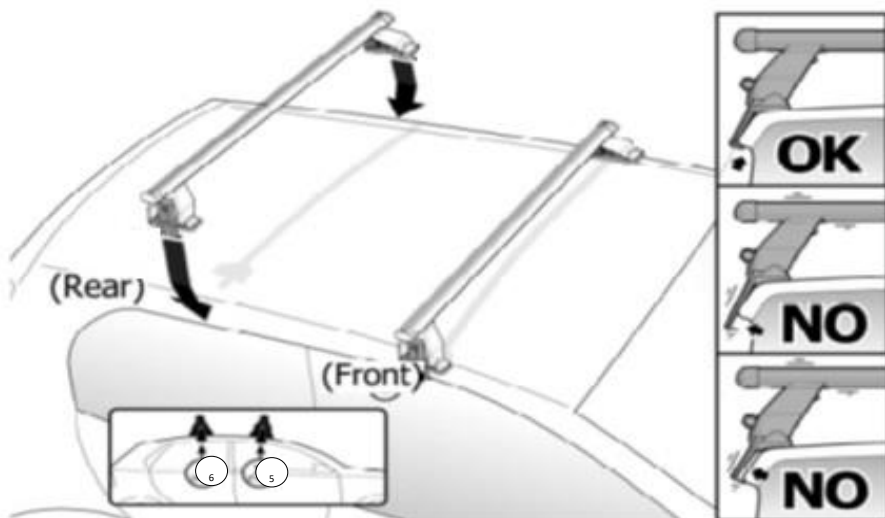
x4

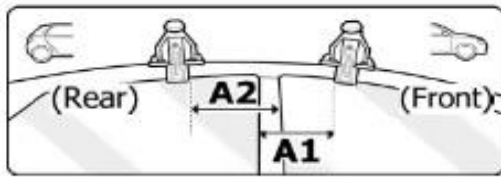


4

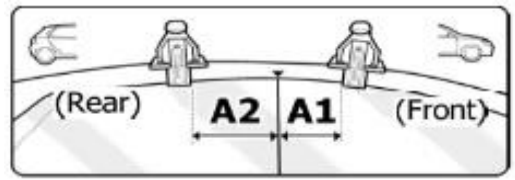


Front	Rear
5	6
26	58
2X	2X





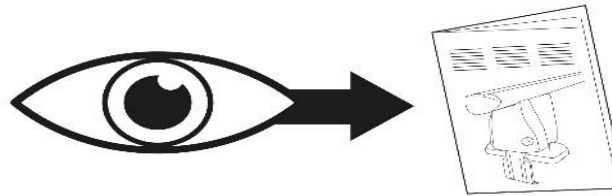
OR



MANUFACTURER	MODEL CAR	DOORS	MODEL YEAR	A1	A2	A1	A2
				cm	cm	in	in
FORD	Fiesta V	5	02>08	25	35	9,8	13,8
FORD	Fusion	5	02>12	25	45	9,8	17,7
HYUNDAI	Accent IV (RB) Sedan	4	11>18	25	35	9,8	13,8

X = predisposizione originale /original arrangement

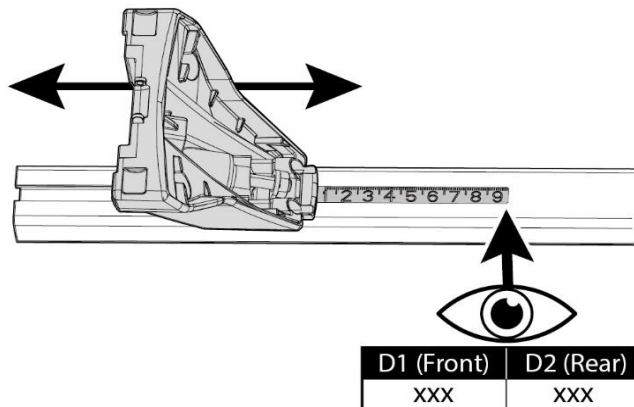
5



MANUAL DELTA

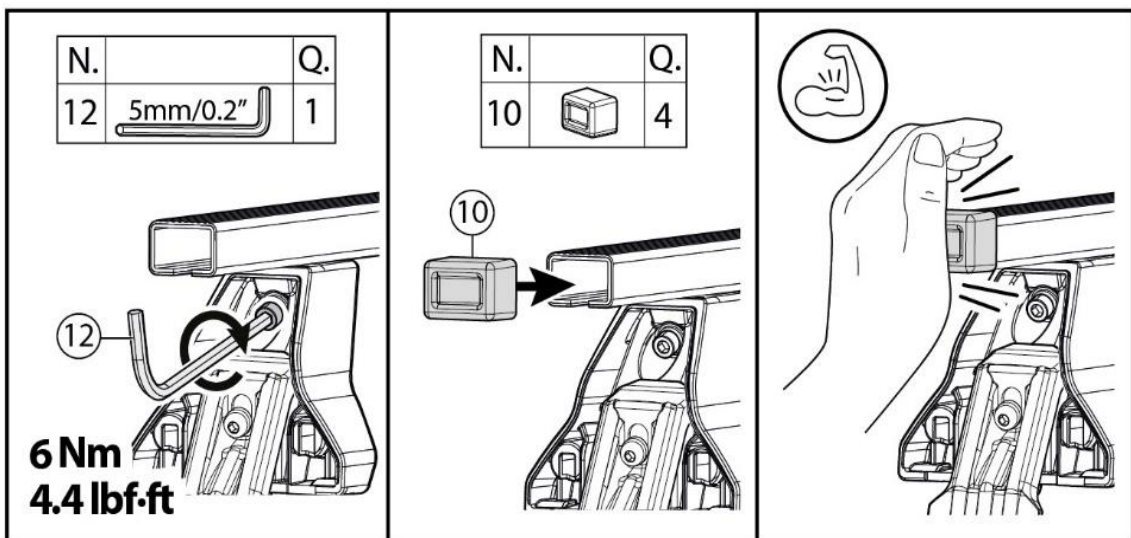
FIXING KIT OMEGA

2

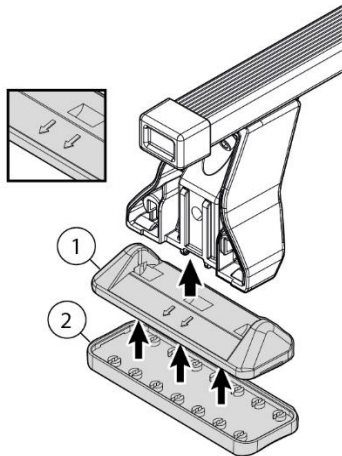


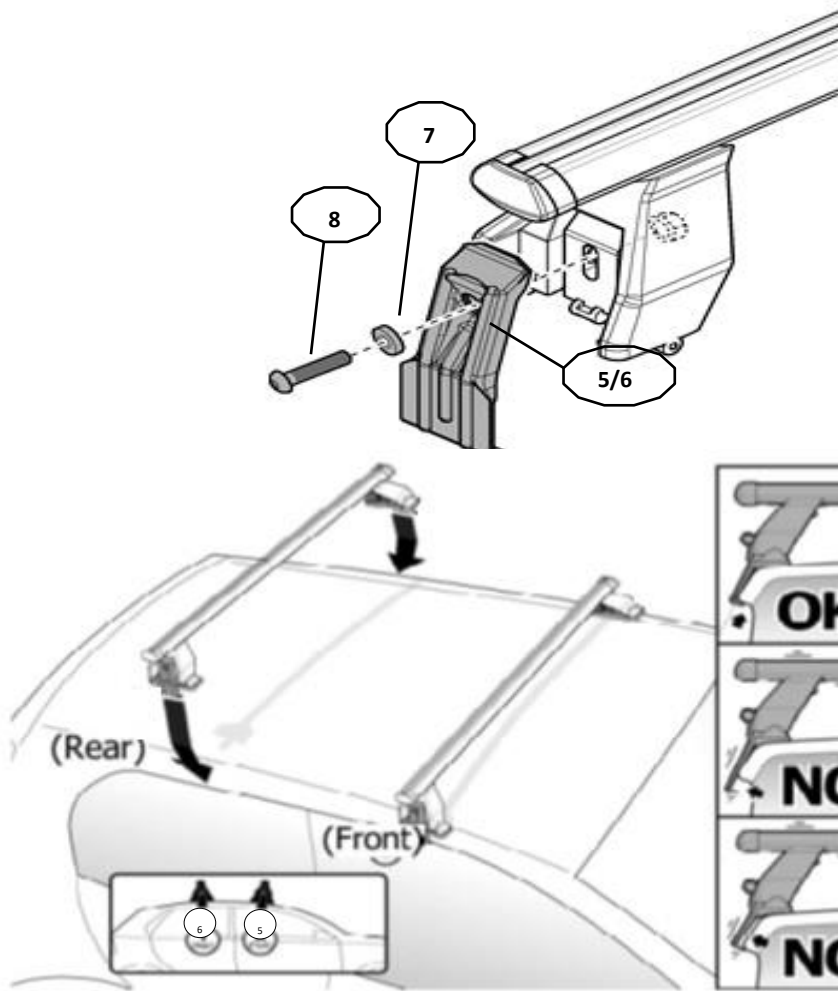
MANUFACTURER	MODEL CAR	DOORS	MODEL YEAR	D1	D2
FORD	Fiesta V	5	02>08	12,4	10,4
FORD	Fusion	5	02>12	13,5	10,7
HYUNDAI	Accent IV (RB) Sedan	4	11>18	10,6	10,6

3

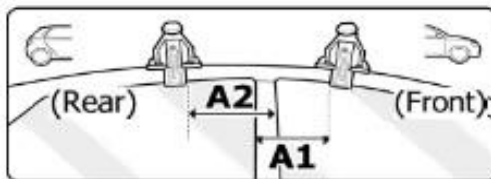
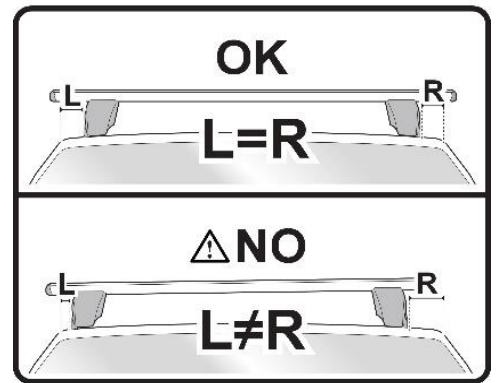


4

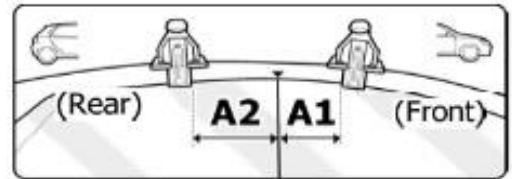




Front 5	Rear 6
26 2X	58 2X

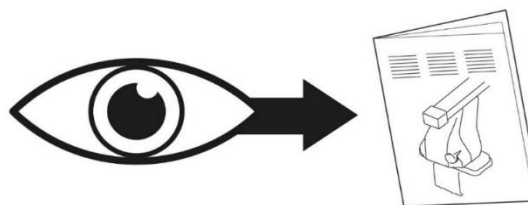


OR



MANUFACTURER	MODEL CAR	DOORS	MODEL YEAR	A1	A2	A1	A2
				cm	cm	in	in
FORD	Fiesta V	5	02>08	25	35	9,8	13,8
FORD	Fusion	5	02>12	25	45	9,8	17,7
HYUNDAI	Accent IV (RB) Sedan	4	11>18	25	35	9,8	13,8

X = predisposizione originale /original arrangement



MANUAL OMEGA

NOTE:
