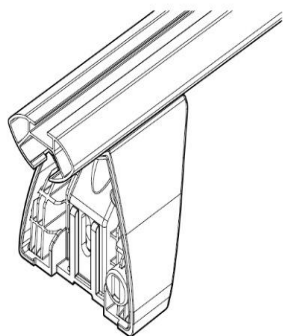


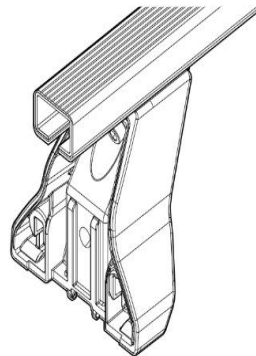


DELTA



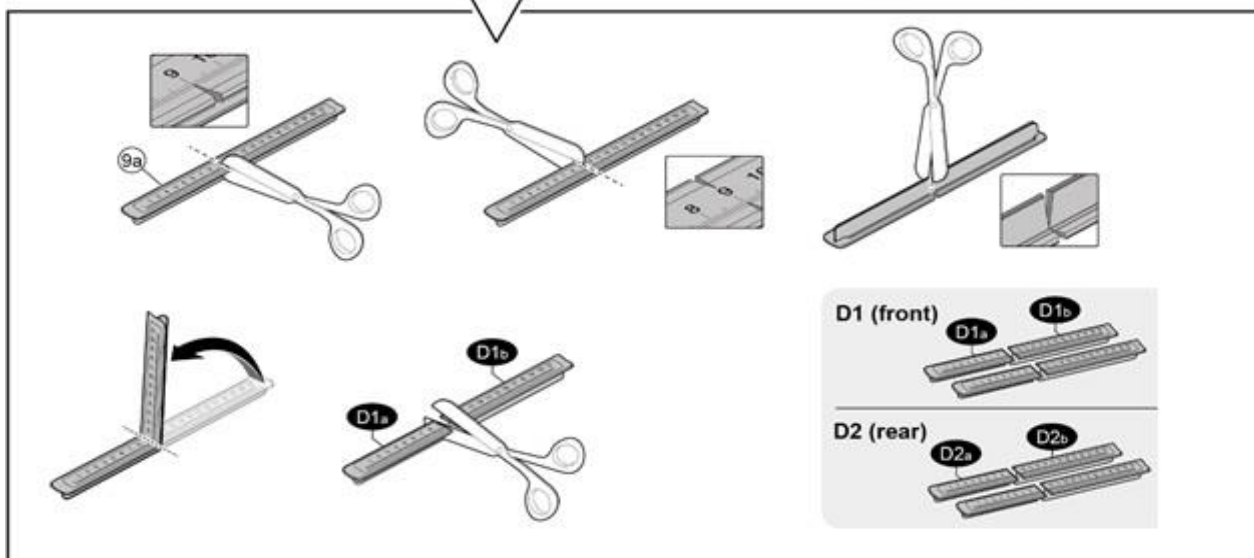
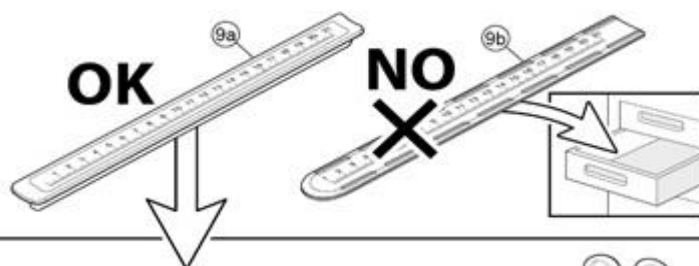
OMEGA

PAG. 4



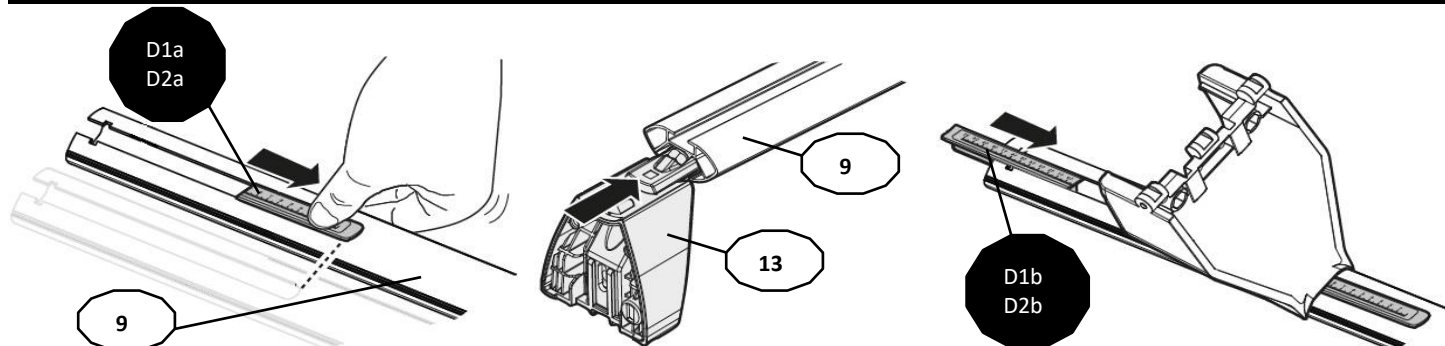
FIXING KIT DELTA

1



MANUFACTURER	MODEL CAR	DOORS	MODEL YEAR	D1	D2
CITROEN	Berlingo (Mk1) Van	5	96>10	7,7	8,0
CITROEN	Xsara Picasso	5	99>10	6,2	5,5
PEUGEOT	Ranch	5	01>	7,7	8,0

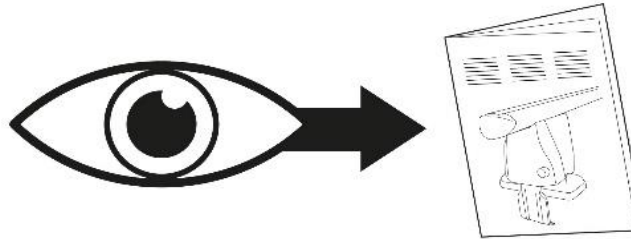
2



MANUFACTURER	MODEL CAR	DOORS	MODEL YEAR	A1	A2	A1	A2
				cm	cm	in	in
CITROEN	<i>Berlingo (Mk1) Van</i>	5	96>10	X	X	X	X
CITROEN	<i>Xsara Picasso</i>	5	99>10	X	X	X	X
PEUGEOT	<i>Ranch</i>	5	01>	X	X	X	X

X = predisposizione originale /original arrangement

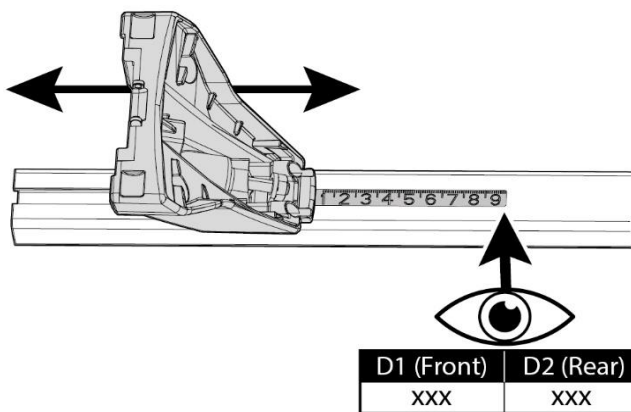
5



MANUAL DELTA

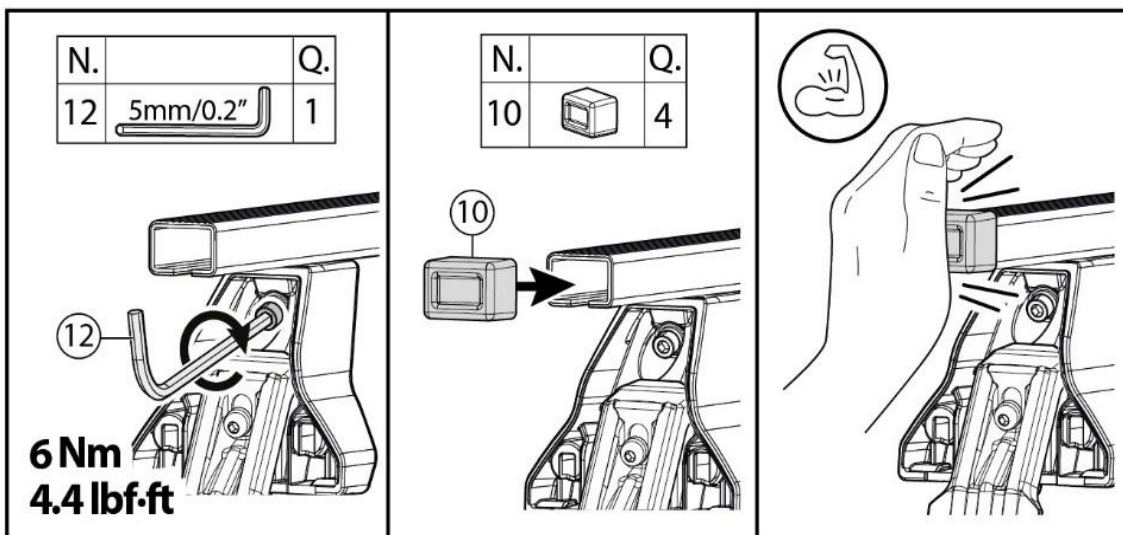
FIXING KIT OMEGA

2

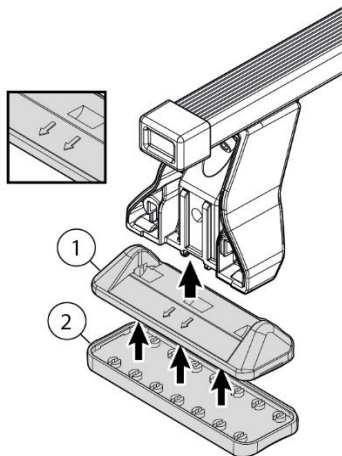


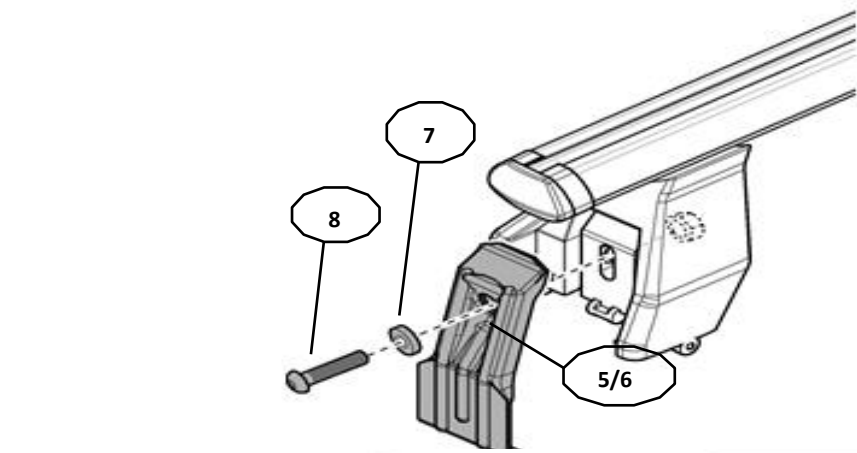
MANUFACTURER	MODEL CAR	DOORS	MODEL YEAR	D1	D2
CITROEN	Berlingo (Mk1) Van	5	96>10	7,7	8,0
CITROEN	Xsara Picasso	5	99>10	6,2	5,5
PEUGEOT	Ranch	5	01>	7,7	8,0

3

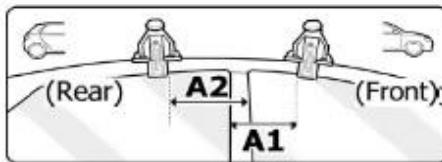
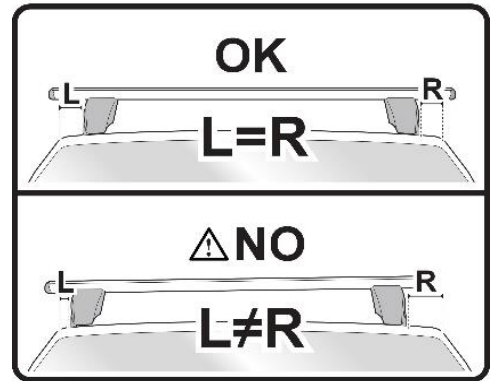
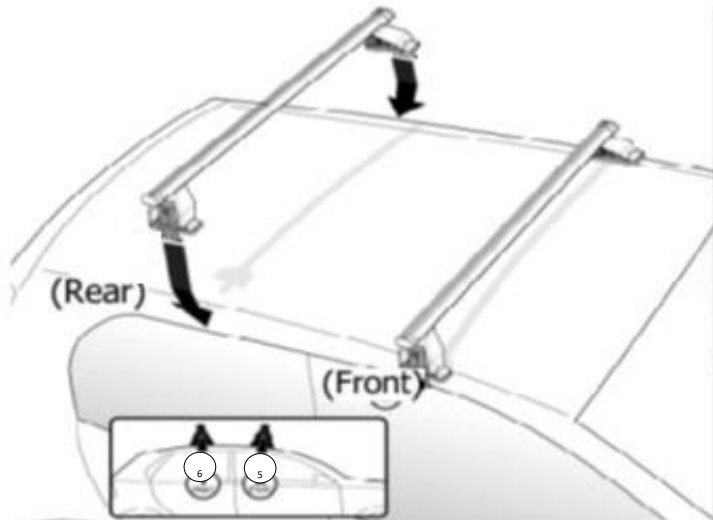


4

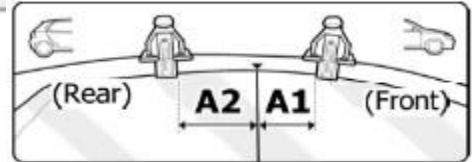




Front 5	Rear 6
31 2X	31 2X

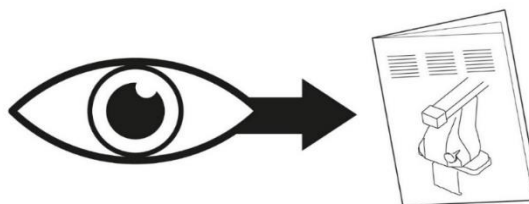


OR



MANUFACTURER	MODEL CAR	DOORS	MODEL YEAR	A1	A2	A1	A2
				cm	cm	in	in
CITROEN	Berlingo (Mk1) Van	5	96>10	X	X	X	X
CITROEN	Xsara Picasso	5	99>10	X	X	X	X
PEUGEOT	Ranch	5	01>	X	X	X	X

X = predisposizione originale /original arrangement



MANUAL OMEGA

NOTE:
