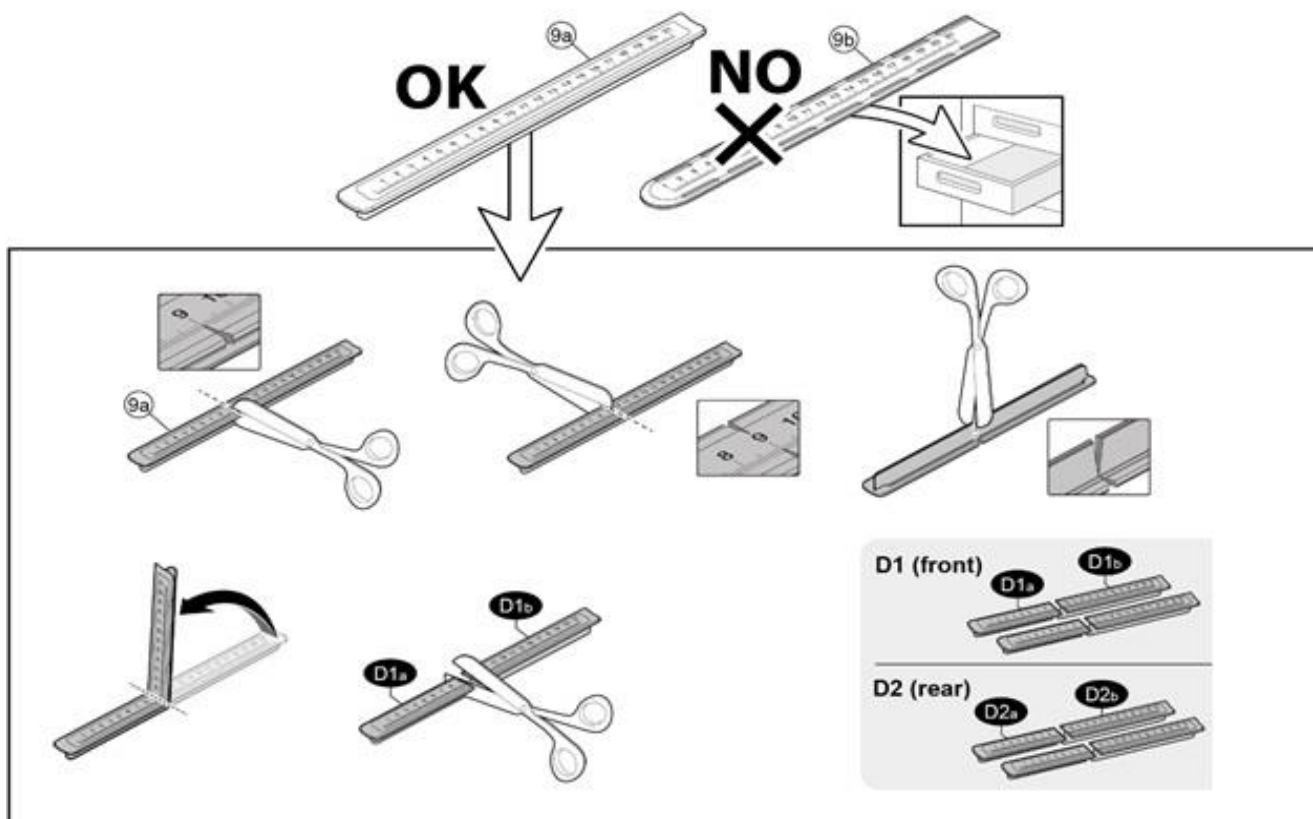
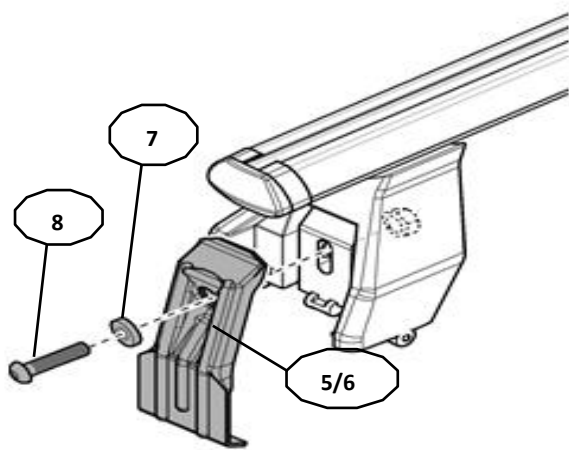
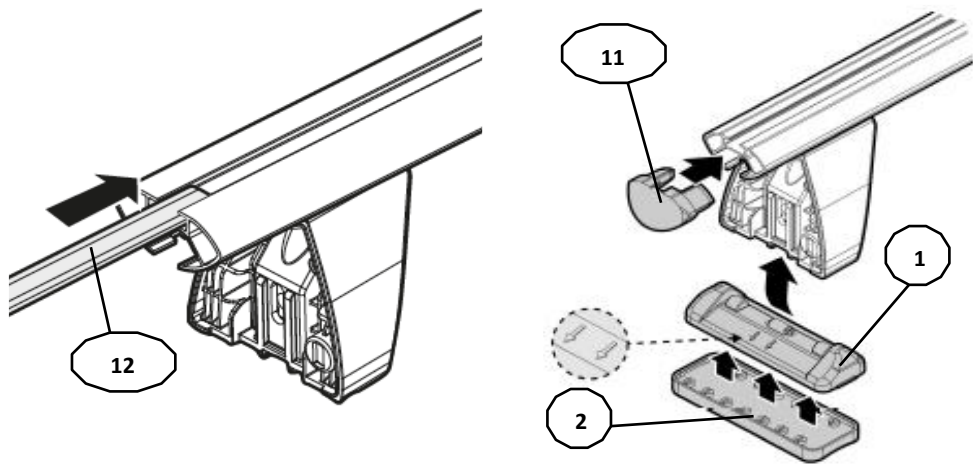
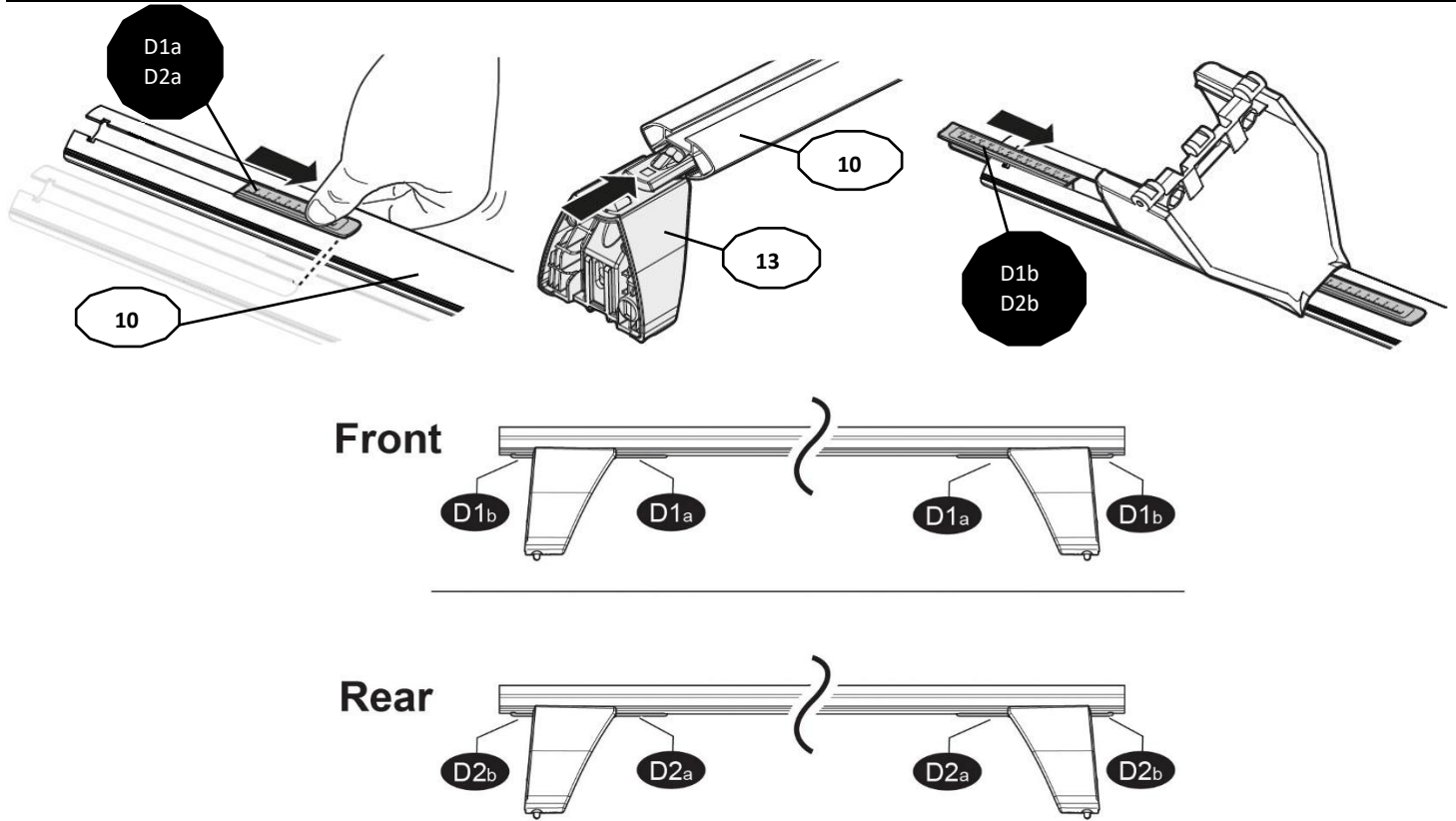


## FIXING KIT DELTA

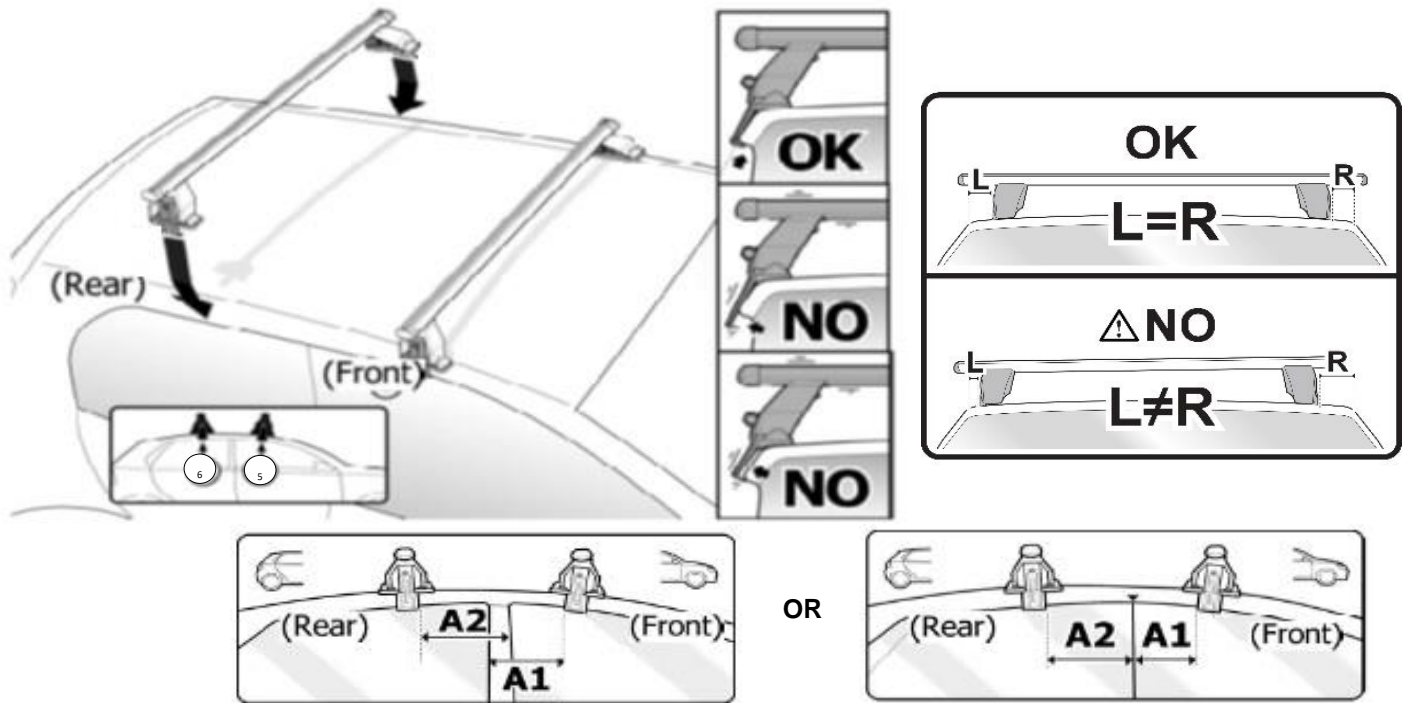
**1**



MANUFACTURER	MODEL CAR	DOORS	MODEL YEAR	D1	D2
FORD	B-Max	5	12>	6,1	3,9
LAND ROVER	Freelander 2 (L359)	5	07>15	8,7	7,7
SUZUKI	Baleno	5	19>	13,0	13,0
SUZUKI	Swift V1	5	17>	9,2	9,2



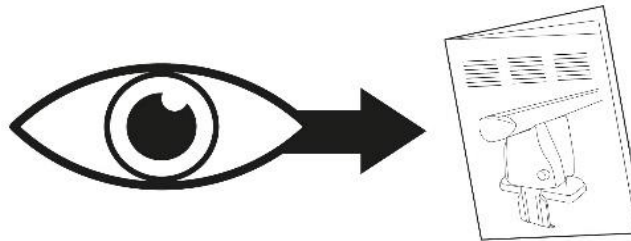
Front	Rear
5	6
49	49
2X	2X



MANUFACTURER	MODEL CAR	DOORS	MODEL YEAR	A1	A2	A1	A2
				cm	cm	in	in
FORD	B-Max	5	12>	25	33	9,8	13,0
LAND ROVER	Freelander 2 (L359)	5	07>15	20	50	7,9	19,7
SUZUKI	Baleno	5	19>	35	25	13,8	9,8
SUZUKI	Swift VI	5	17>	32	38	12,6	15,0

X = predisposizione originale /original arrangement

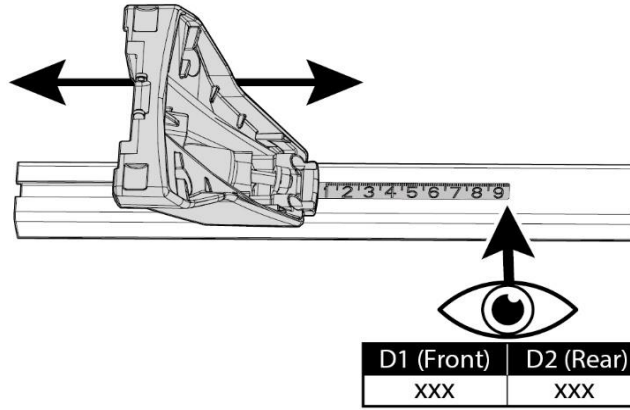
## 5



**MANUAL DELTA**

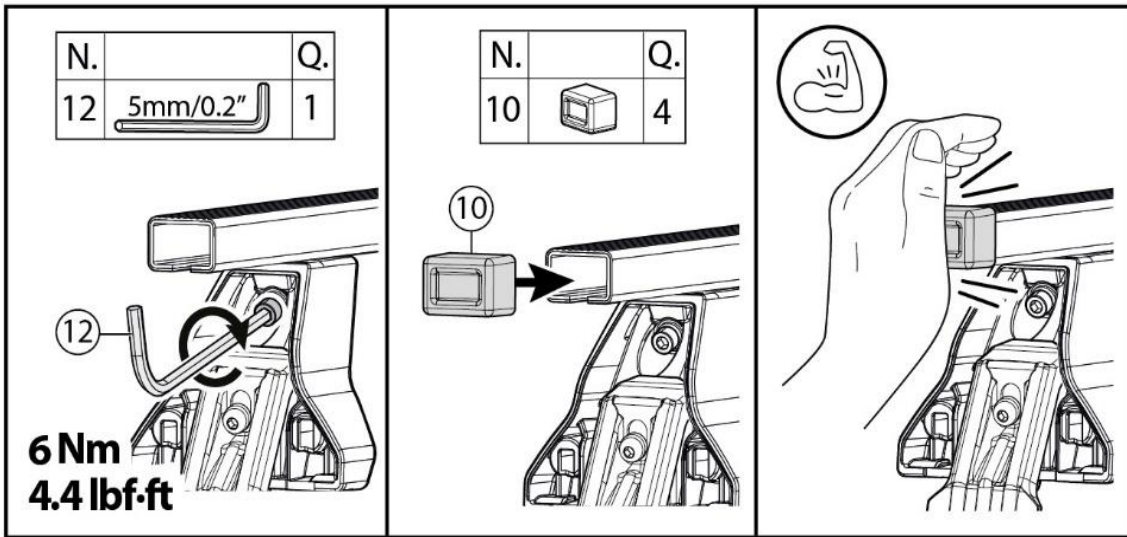
# FIXING KIT OMEGA

2

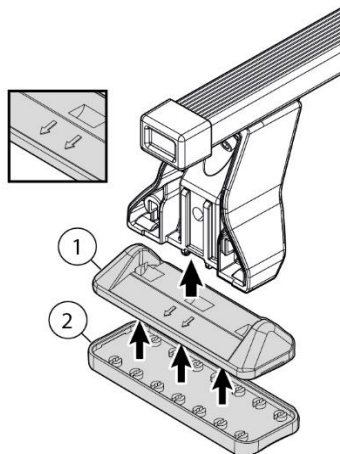


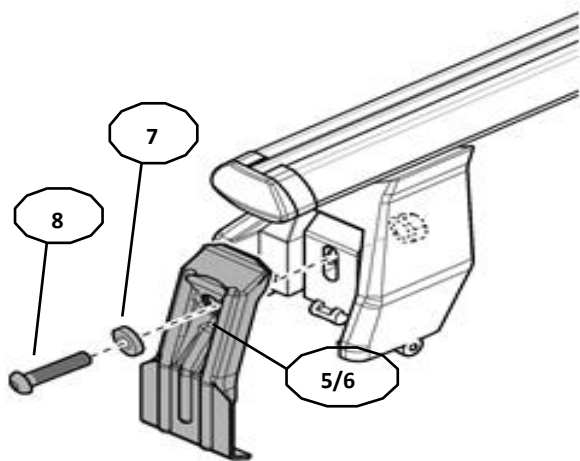
MANUFACTURER	MODEL CAR	DOORS	MODEL YEAR	D1	D2
FORD	B-Max	5	12>	6,1	3,9
LAND ROVER	Freelander 2 (L359)	5	07>15	8,7	7,7
SUZUKI	Baleno	5	19>	13,0	13,0
SUZUKI	Swift VI	5	17>	9,2	9,2

3

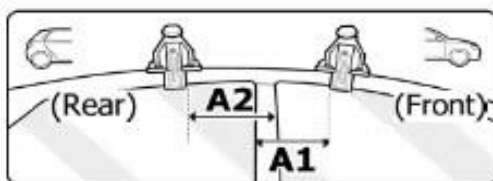
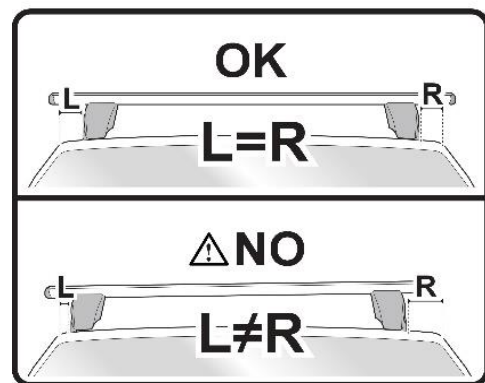
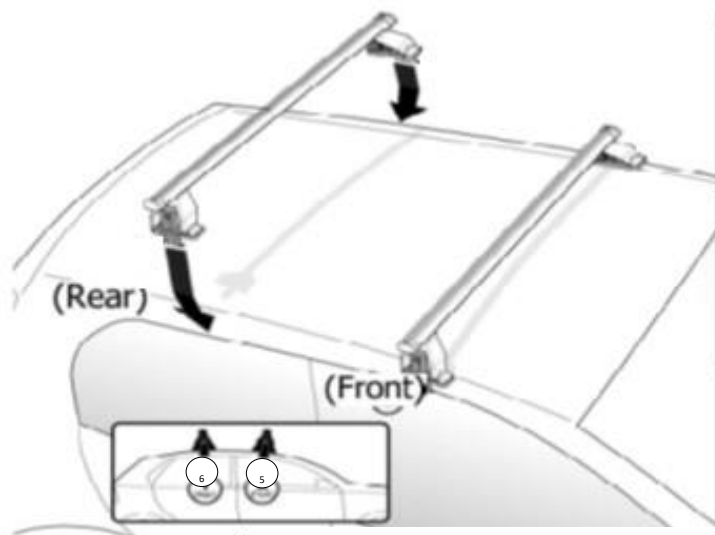


4

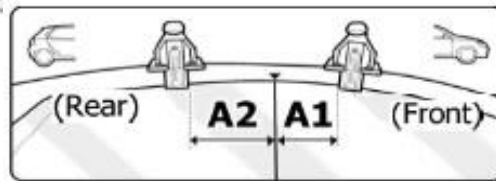




Front 5	Rear 6
49 2X	49 2X

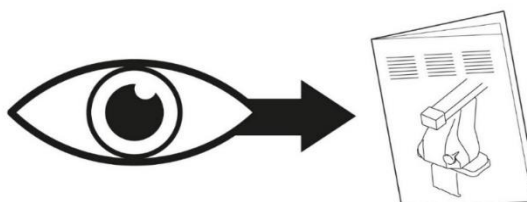


OR



MANUFACTURER	MODEL CAR	DOORS	MODEL YEAR	A1	A2	A1	A2
				cm	cm	in	in
FORD	B-Max	5	12>	25	33	9,8	13,0
LAND ROVER	Freelander 2 (L359)	5	07>15	20	50	7,9	19,7
SUZUKI	Baleno	5	19>	35	25	13,8	9,8
SUZUKI	Swift VI	5	17>	32	38	12,6	15,0

X = predisposizione originale /original arrangement



MANUAL OMEGA

NOTE:

---

---

---

---

