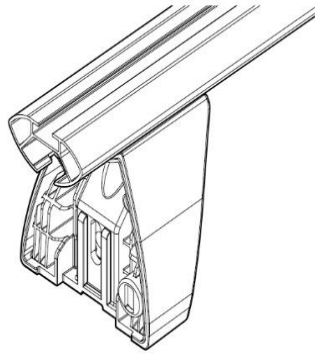
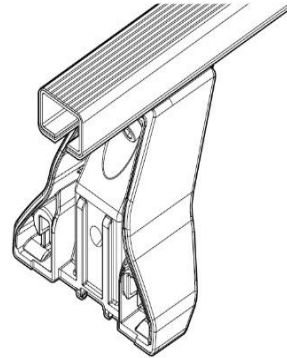




**DELTA**



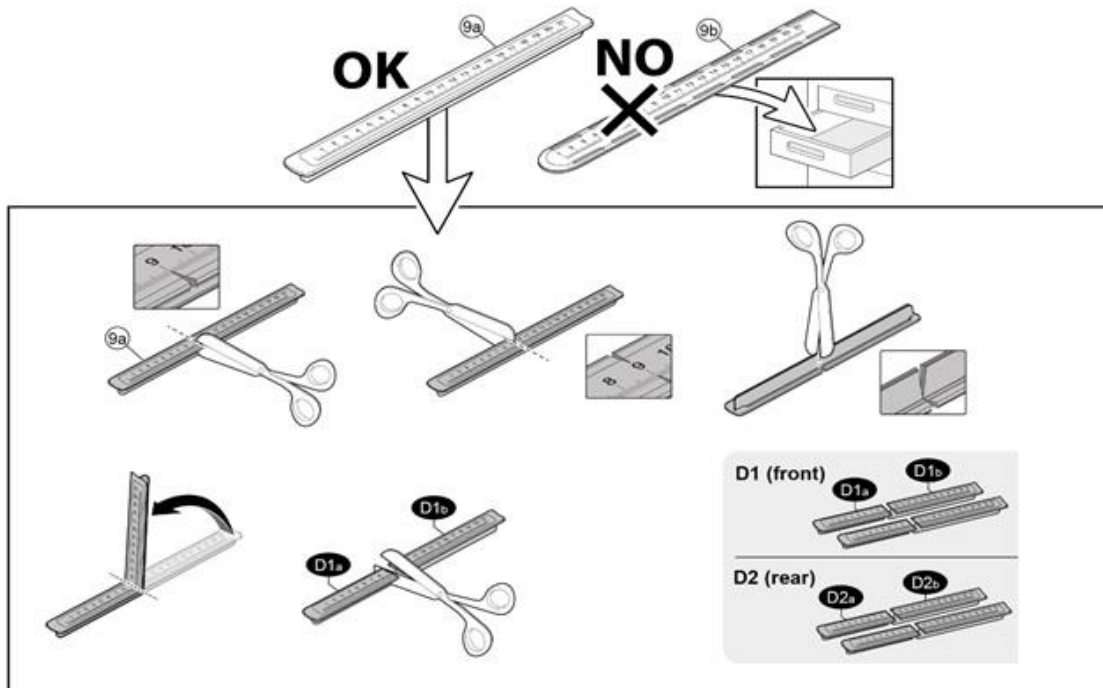
**OMEGA**



PAG. 4

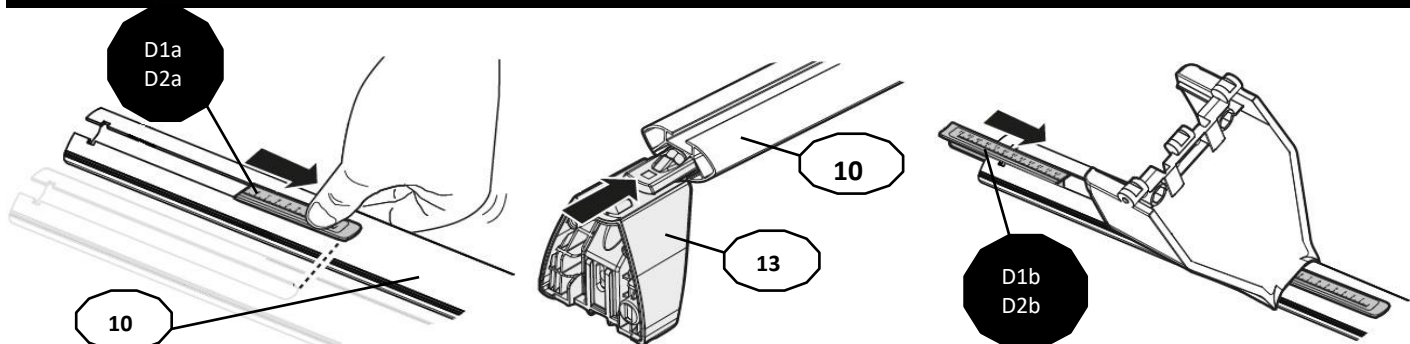
## FIXING KIT DELTA

**1**

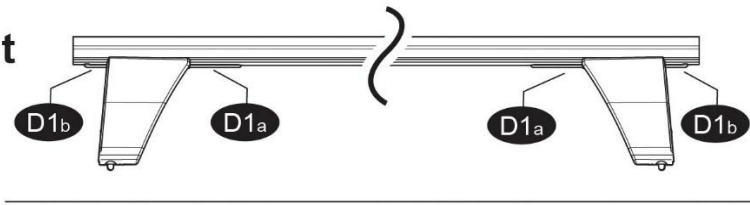


MANUFACTURER	MODEL CAR	DOORS	MODEL YEAR	D1	D2
AUDI	A1 (XA) Sportback	5	12>18	11,6	11,0
LANCIA	Ypsilon III (Type 846)	5	11>	13,7	13,1
LANCIA	Ypsilon III (Type 846) Hybrid	5	20>	13,7	13,1
RENAULT	Captur	5	13>17	5,2	2,7
RENAULT	Clio IV	5	12>19	13,7	11,9
RENAULT	Clio IV Sporter / Grand Tourer	5	13>19	13,7	11,9
RENAULT	Twingo III	5	14>	5,2	2,9

**2**



Front

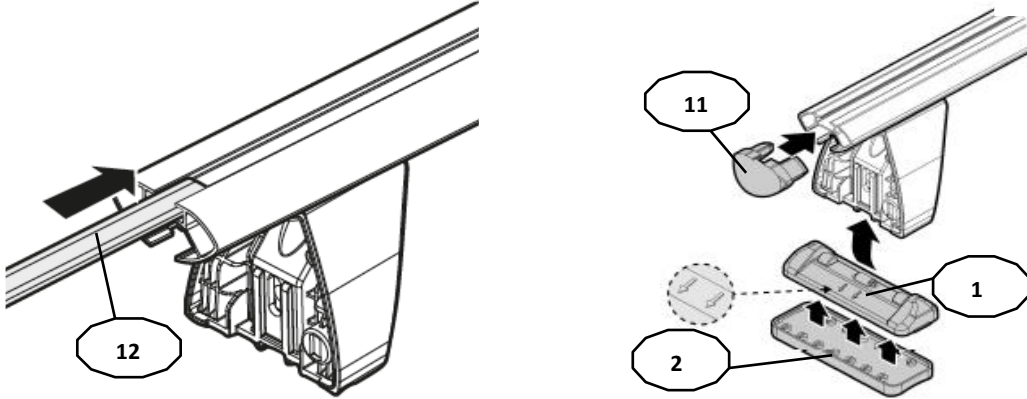


Rear

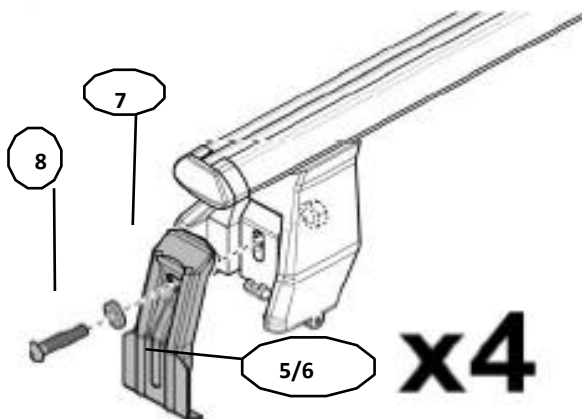
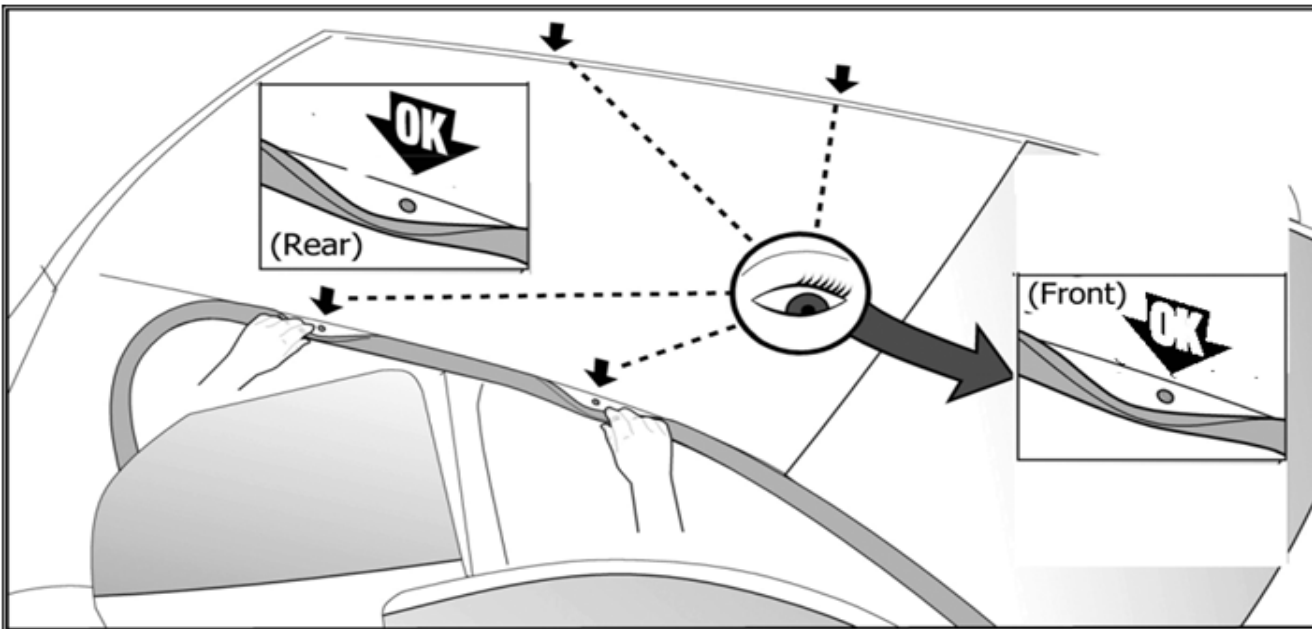


3

x4

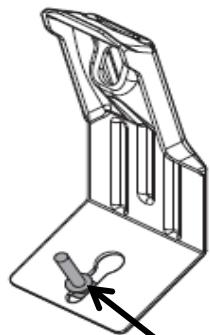


4

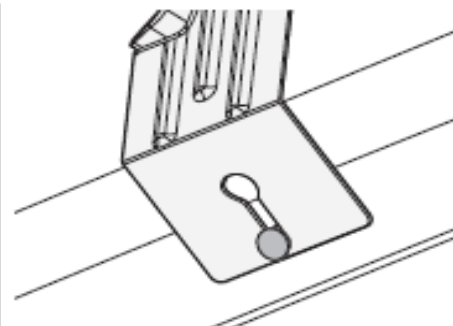
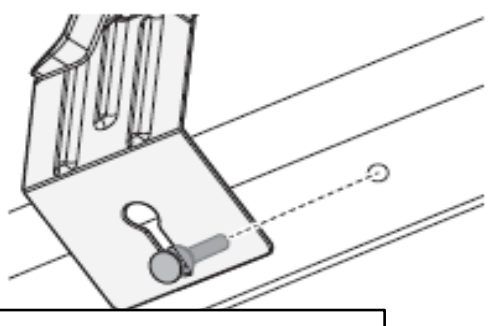


x4

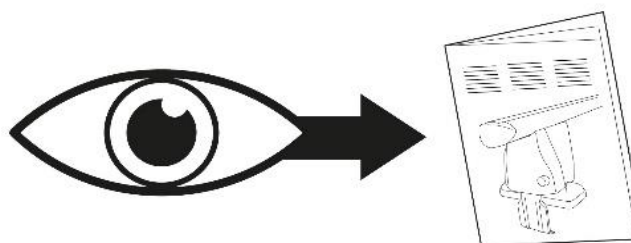
Front	Front
5	6
51	51R
2X	2X



include - included



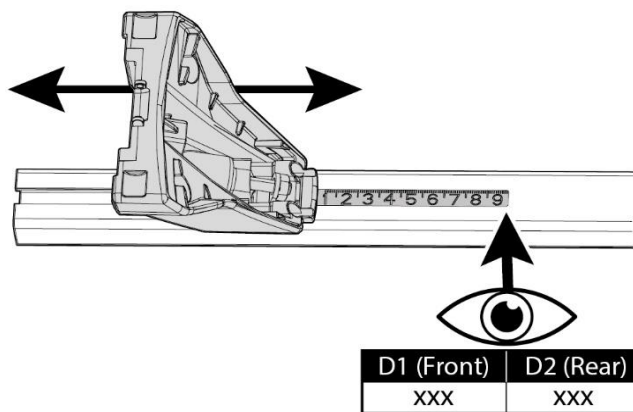
5



**MANUAL DELTA**

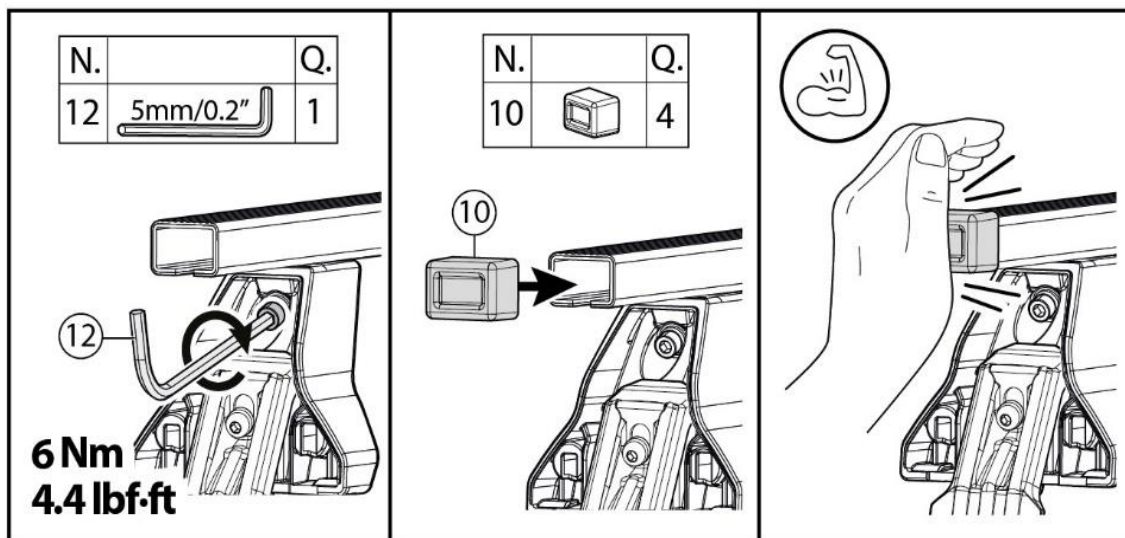
# FIXING KIT OMEGA

2

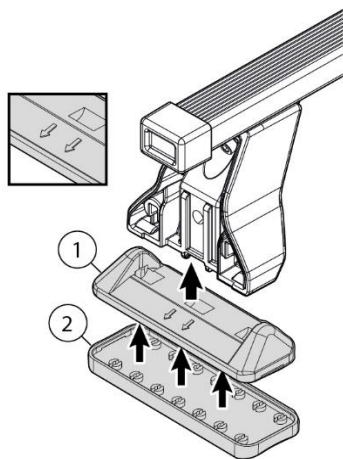


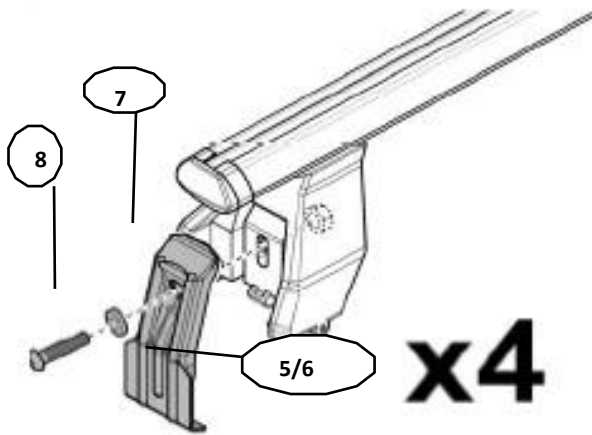
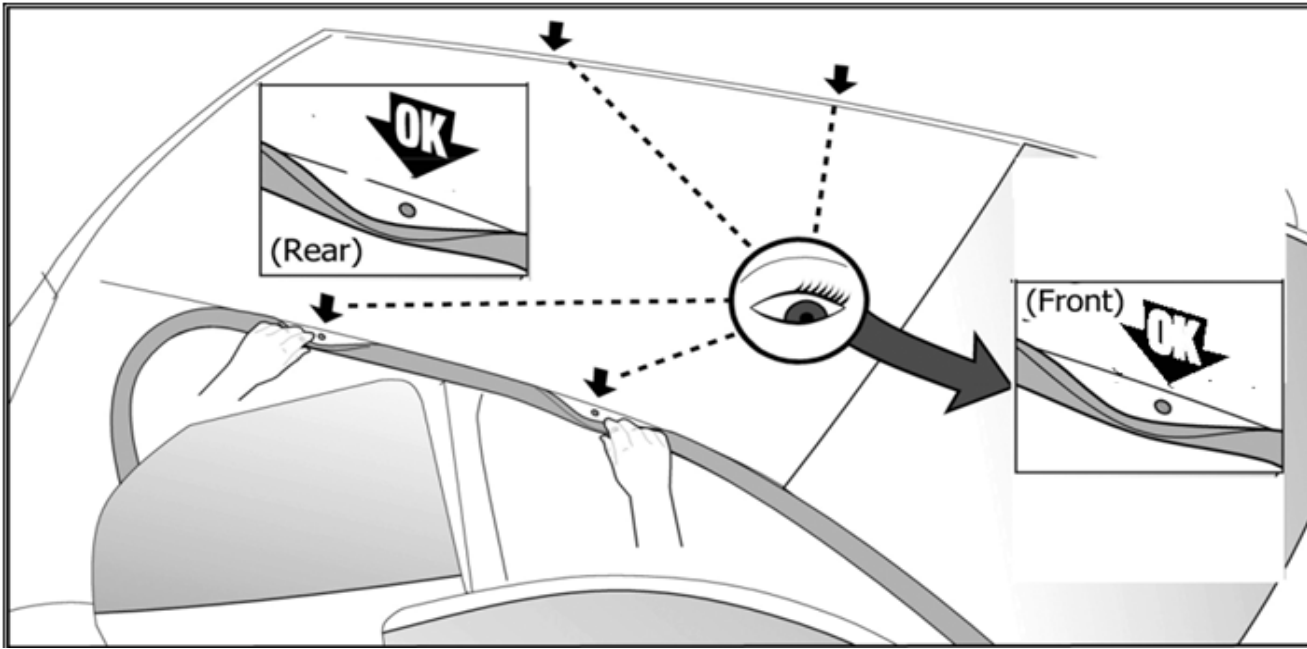
MANUFACTURER	MODEL CAR	DOORS	MODEL YEAR	D1	D2
AUDI	A1 (XA) Sportback	5	12>18	11,6	11,0
LANCIA	Ypsilon III (Type 846)	5	11>	13,7	13,1
LANCIA	Ypsilon III (Type 846) Hybrid	5	20>	13,7	13,1
RENAULT	Captur	5	13>17	5,2	2,7
RENAULT	Clio IV	5	12>19	13,7	11,9
RENAULT	Clio IV Sporter / Grand Tourer	5	13>19	13,7	11,9
RENAULT	Twingo III	5	14>	5,2	2,9

3

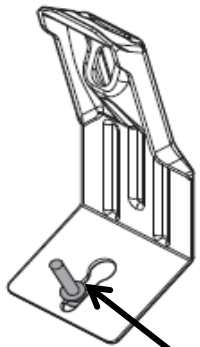


4

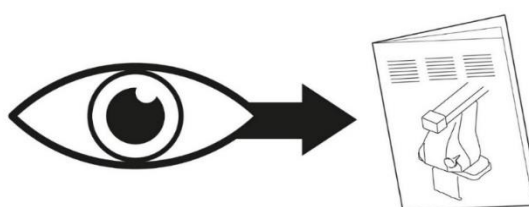
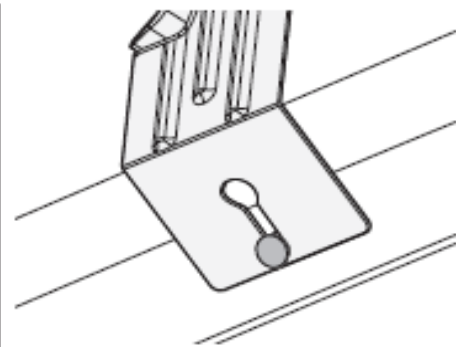
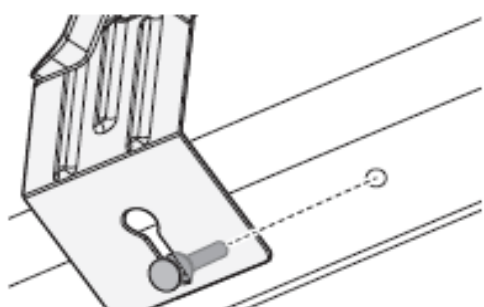




Front	Front
5	6
51	51R
2X	2X



include - included



MANUAL OMEGA

NOTE:

---

---

---

---