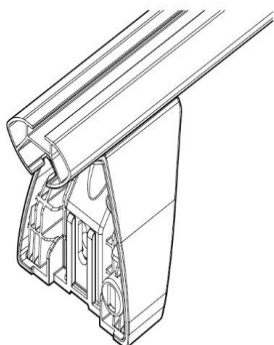
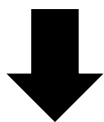




**DELTA**



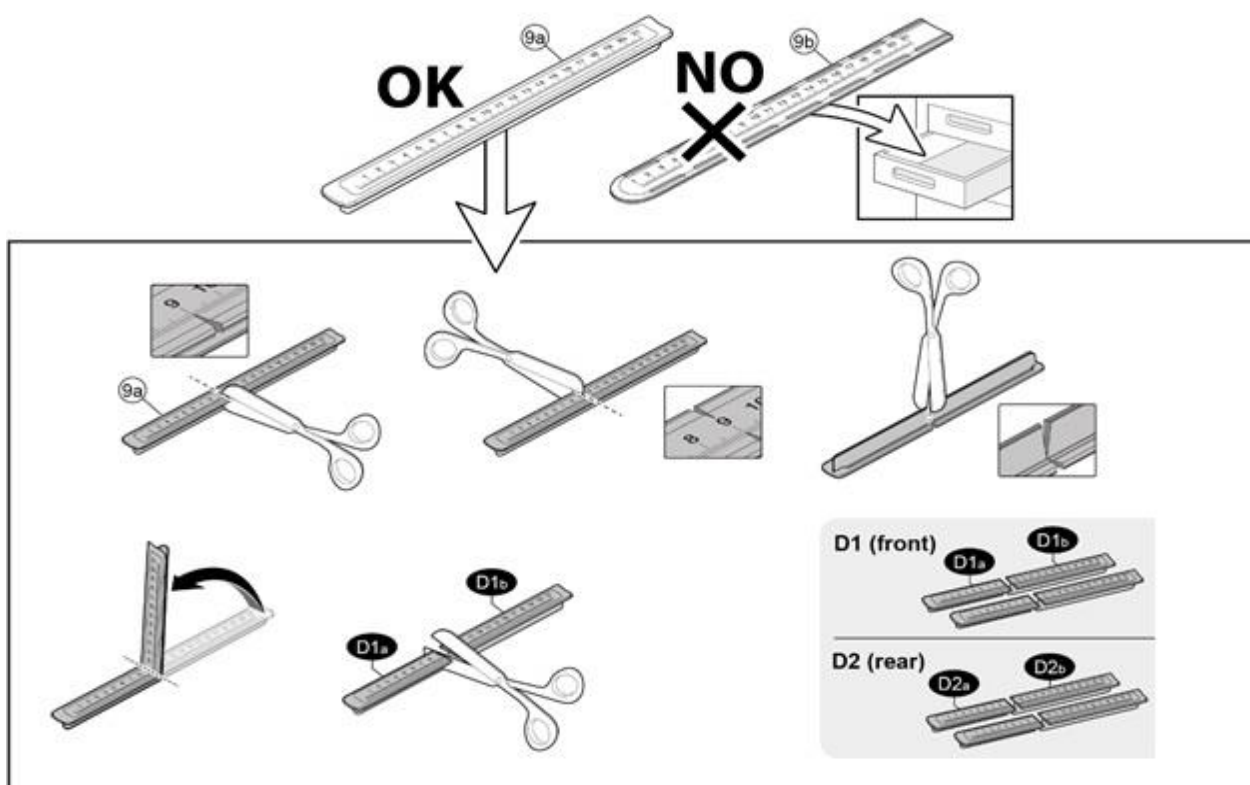
**OMEGA**



PAG. 4

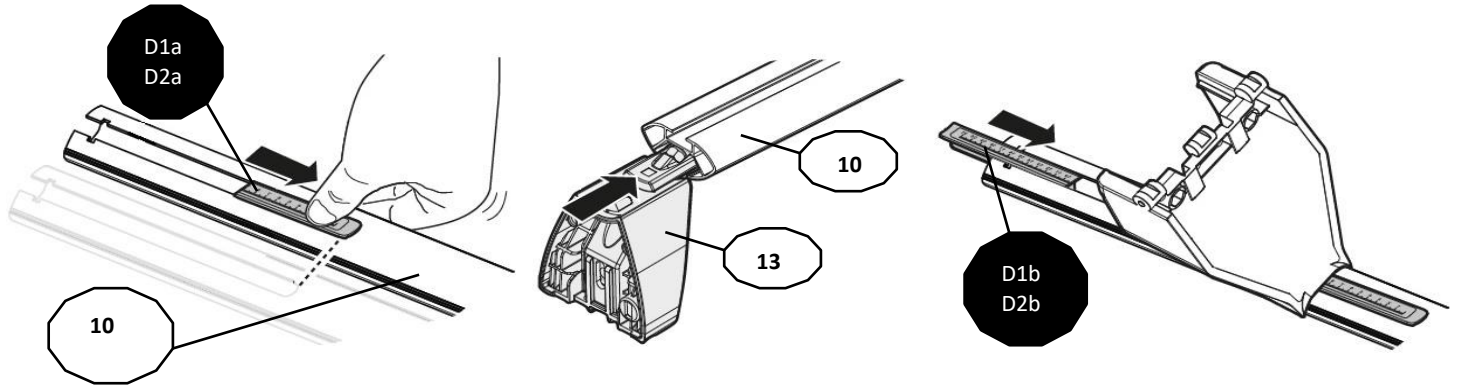
## FIXING KIT DELTA

**1**

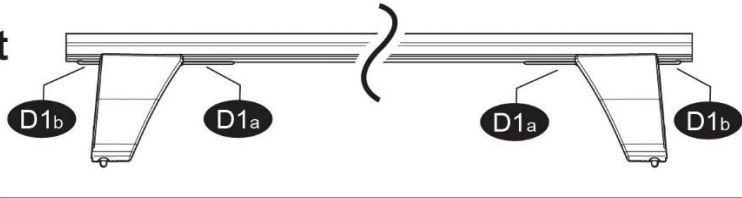


MANUFACTURER	MODEL CAR	DOORS	MODEL YEAR	D1	D2
CHEVROLET	Cruze II Hatchback (No tetto in vetro / No glass roof)	5	16>	3,5	4,5
CHEVROLET	Cruze II Sedan (No tetto in vetro / No glass roof)	4	16>	3,8	3,4
SSANGYONG	Actyon Sports	4	07>18	10,0	8,7
VOLKSWAGEN	Jetta (A6/5C6)	4	11>18	3,9	6,4

2



Front

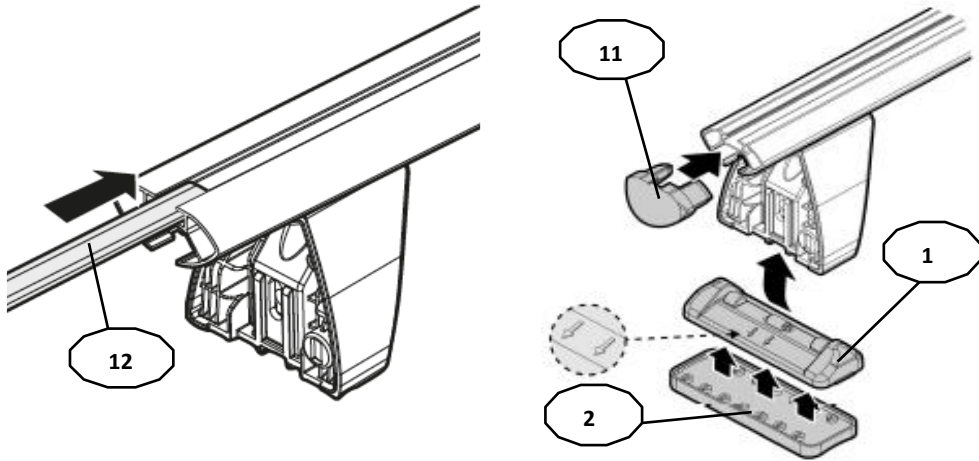


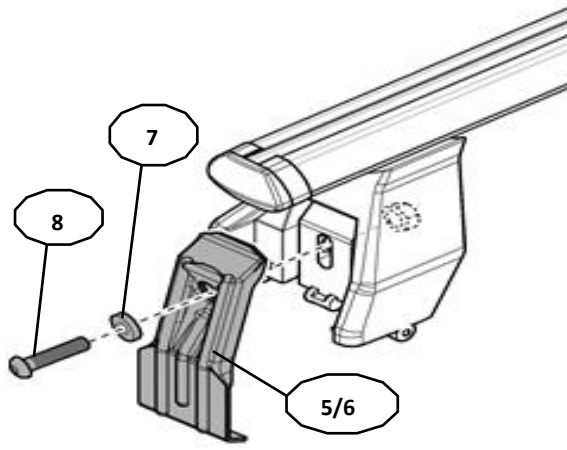
Rear



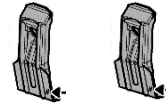
3

x4

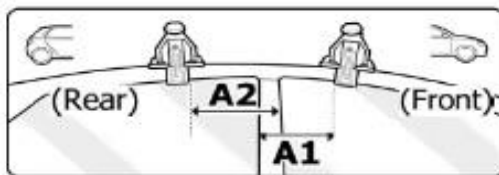
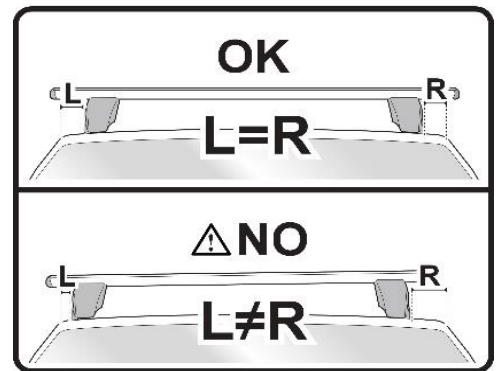
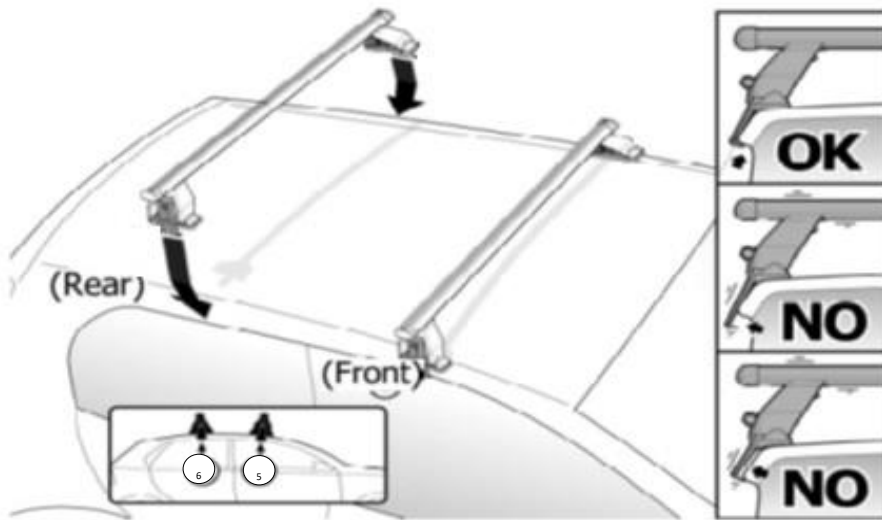




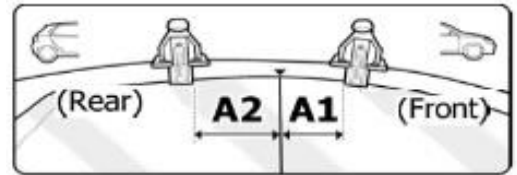
Front	Rear
5	6



1	21R
2X	2X

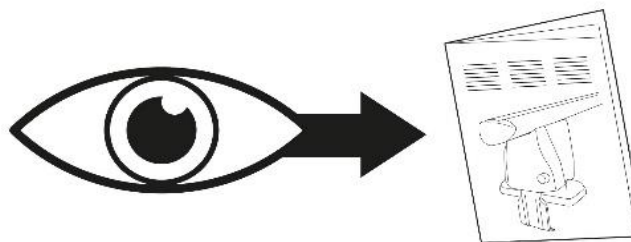


OR



MANUFACTURER	MODEL CAR	DOORS	MODEL YEAR	A1	A2	A1	A2
				cm	cm	in	in
CHEVROLET	Cruze II Hatchback (No tetto in vetro / No glass roof)	5	16>	28	37	11,0	14,6
CHEVROLET	Cruze II Sedan (No tetto in vetro / No glass roof)	4	16>	28	37	11,0	14,6
SSANGYONG	Actyon Sports	4	07>18	20	50	7,9	19,7
VOLKSWAGEN	Jetta (A6/5C6)	4	11>18	32	32	12,6	12,6

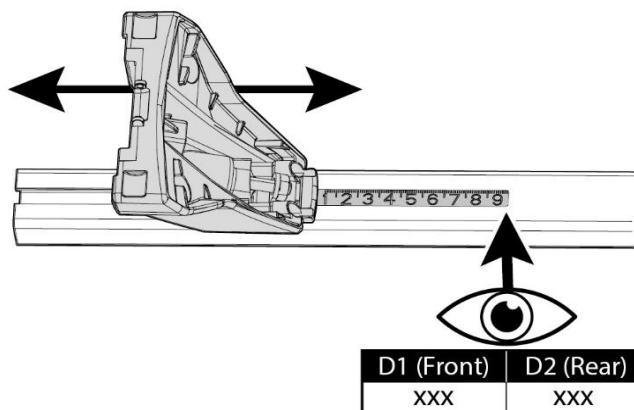
X = predisposizione originale /original arrangement



**MANUAL DELTA**

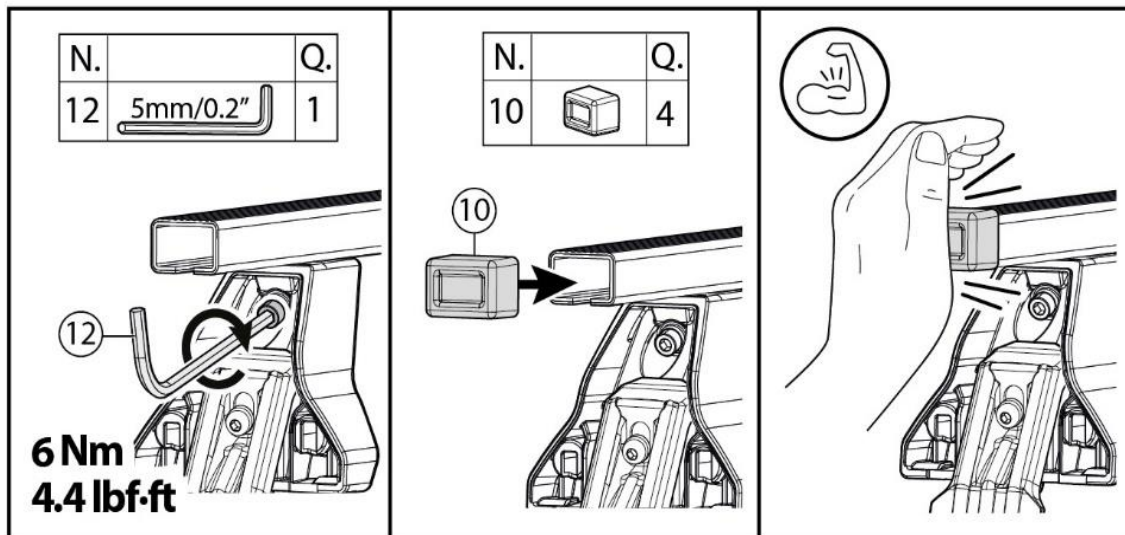
# FIXING KIT OMEGA

2

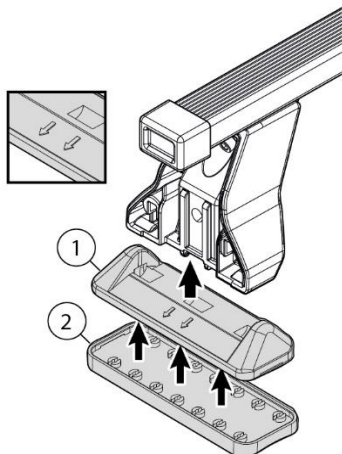


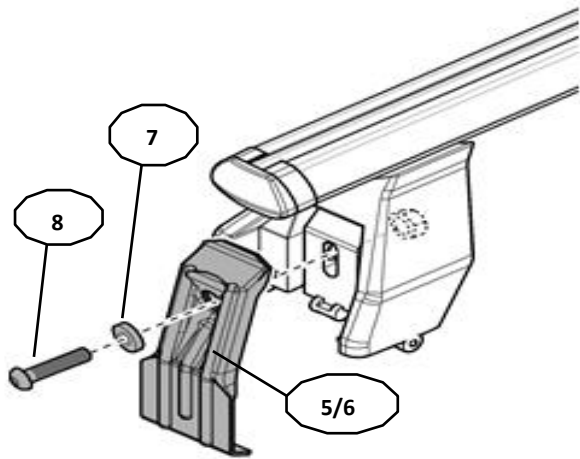
MANUFACTURER	MODEL CAR	DOORS	MODEL YEAR	D1	D2
CHEVROLET	Cruze II Hatchback (No tetto in vetro / No glass roof)	5	16>	3,5	4,5
CHEVROLET	Cruze II Sedan (No tetto in vetro / No glass roof)	4	16>	3,8	3,4
SSANGYONG	Actyon Sports	4	07>18	10,0	8,7
VOLKSWAGEN	Jetta (A6/5C6)	4	11>18	3,9	6,4

3

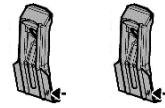


4

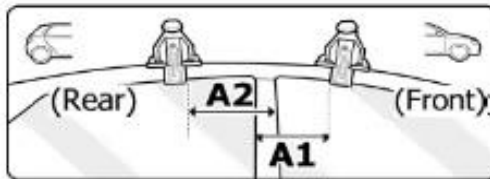
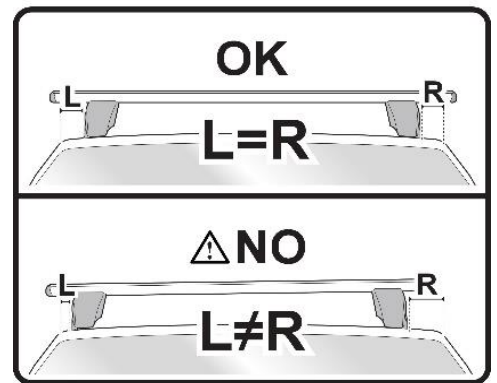
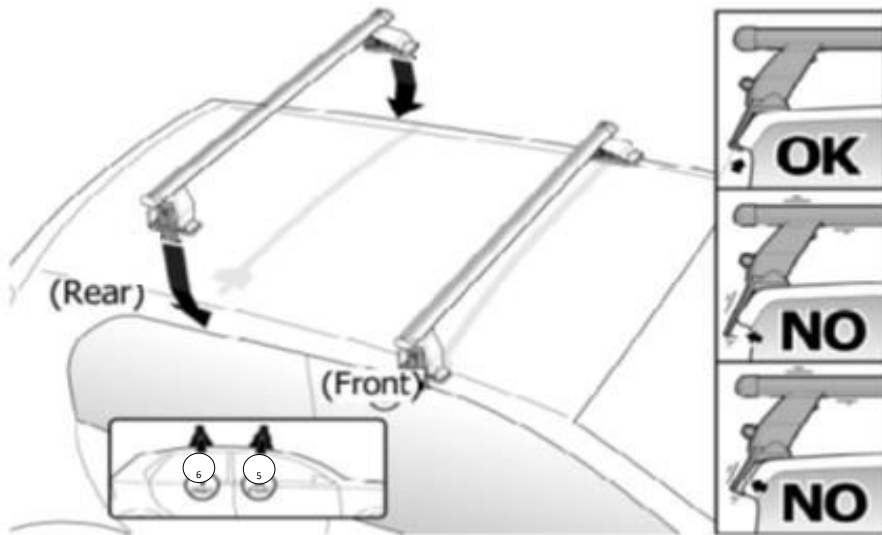




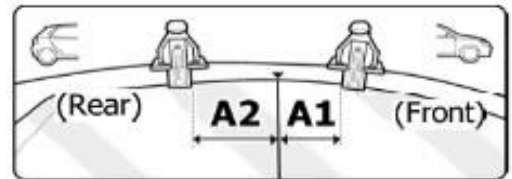
Front	Rear
5	6



1	21R
2X	2X

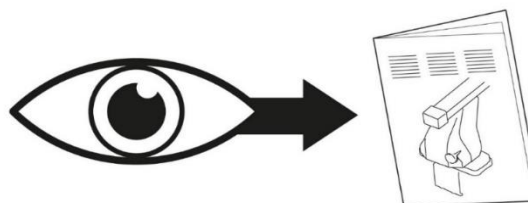


OR



MANUFACTURER	MODEL CAR	DOORS	MODEL YEAR	A1	A2	A1	A2
				cm	cm	in	in
CHEVROLET	Cruze II Hatchback (No tetto in vetro / No glass roof)	5	16>	28	37	11,0	14,6
CHEVROLET	Cruze II Sedan (No tetto in vetro / No glass roof)	4	16>	28	37	11,0	14,6
SSANGYONG	Actyon Sports	4	07>18	20	50	7,9	19,7
VOLKSWAGEN	Jetta (A6/5C6)	4	11>18	32	32	12,6	12,6

X = predisposizione originale /original arrangement



MANUAL OMEGA

NOTE:

---

---

---

---