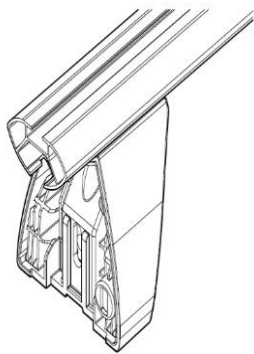
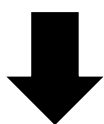




DELTA



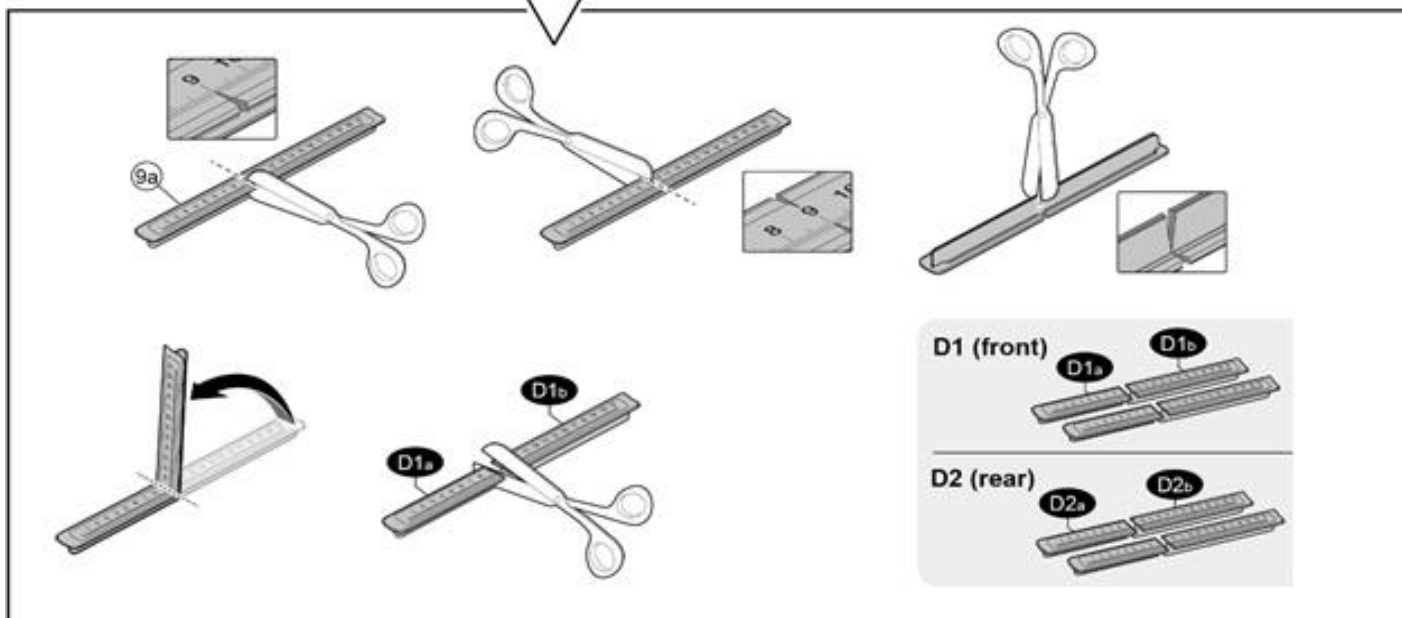
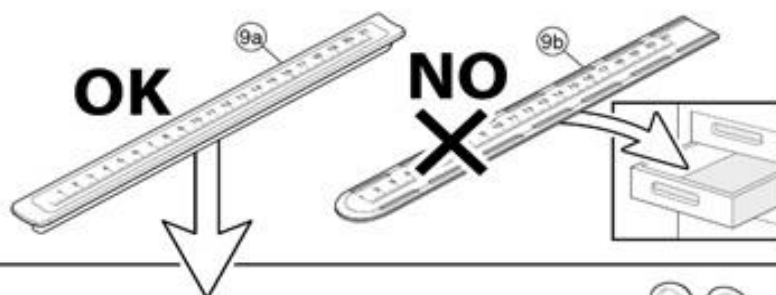
OMEGA



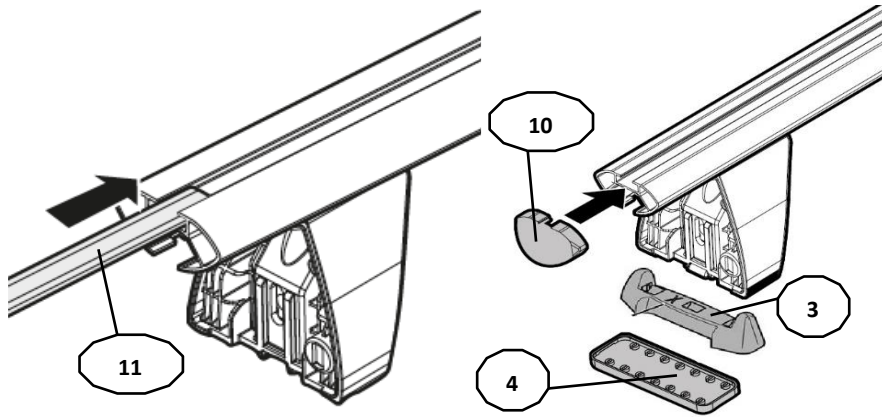
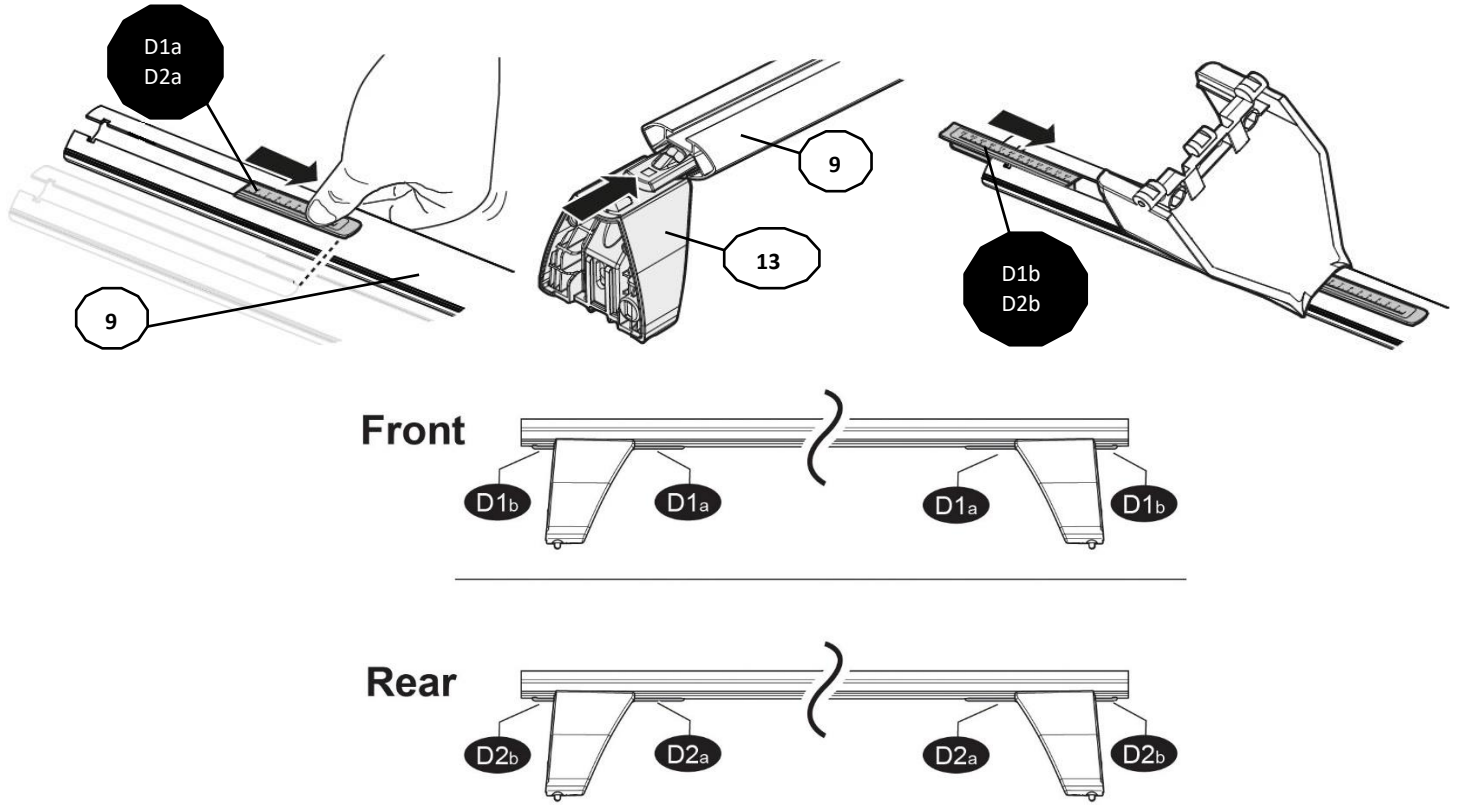
PAG. 4

FIXING KIT DELTA

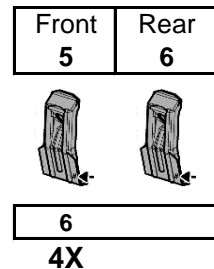
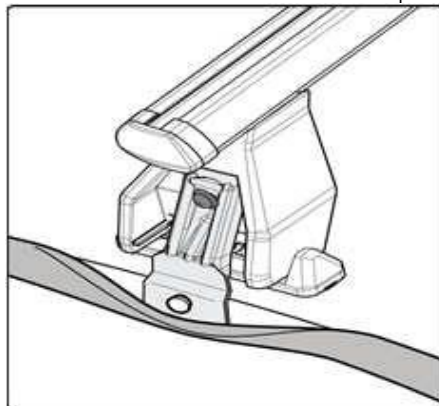
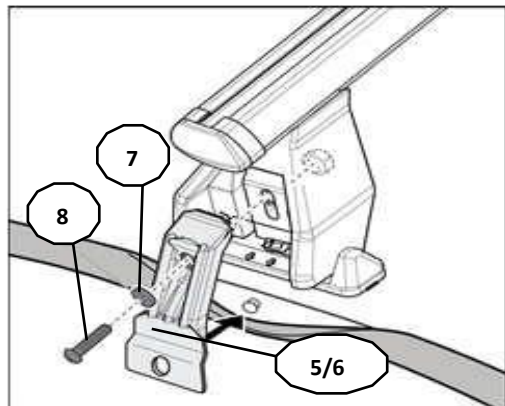
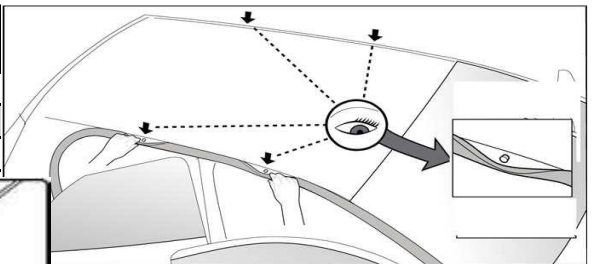
1



MANUFACTURER	MODEL CAR	DOORS	MODEL YEAR	D1	D2
ALFA ROMEO	156	4	03>05	9,5	8,3
ALFA ROMEO	156	4	97>03	9,5	8,3
ALFA ROMEO	164	4	87>97	10,1	10,4
ALFA ROMEO	156 Sportwagon	5	00>05	9,8	8,7
FIAT	Croma	4	85>96	10,7	10,0
LANCIA	K	4	94>00	10,0	10,0
LANCIA	Thema	4	84>94	10,7	10,0
SAAB	900	5	91>97	10,7	10,0
SAAB	9-5	4	97>12	13,3	12,1

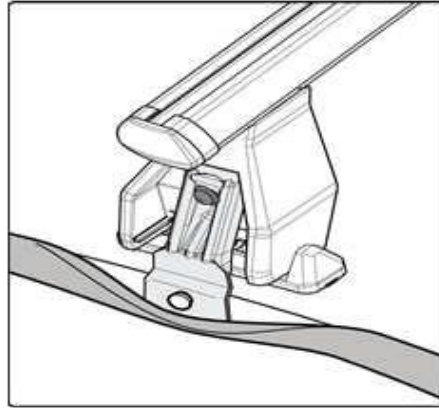
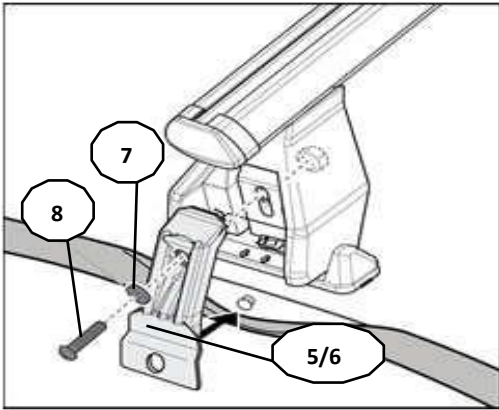
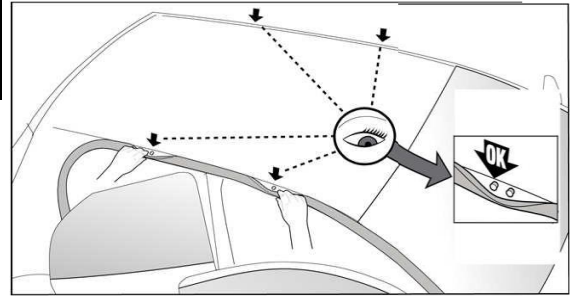




MODEL CAR	DOORS	MODEL YEAR
156	4	97>05
164	4	87>97
156 Sportwagon	5	00>05



4b

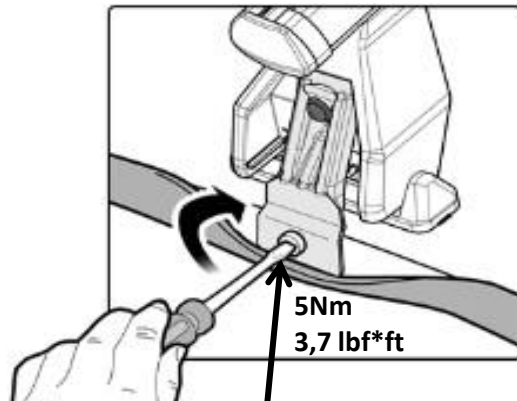
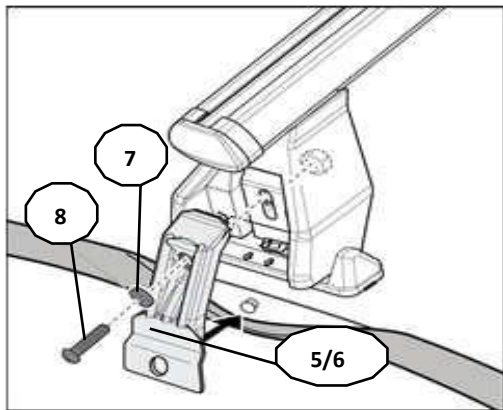
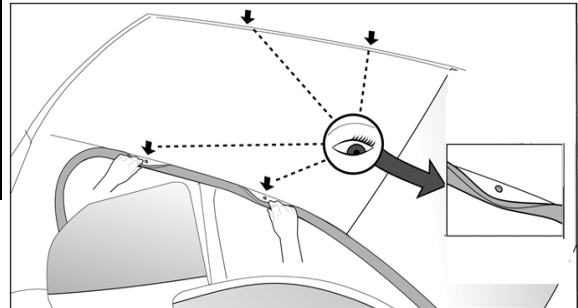
MODEL CAR	DOORS	MODEL YEAR
K	4	94>00





Front	Rear
5	6
	
6	
4X	

4c

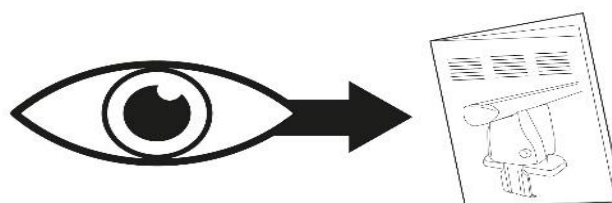
MODEL CAR	DOORS	MODEL YEAR
Croma	4	85>96
Thema	4	84>94
900	5	91>97
9-5	4	97>12



Front	Rear
5	6
	
6	
4X	

4 ⊕ M8x15 include - included

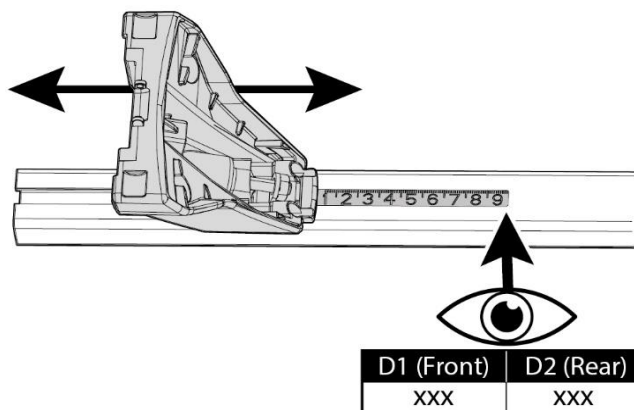
5



MANUAL DELTA

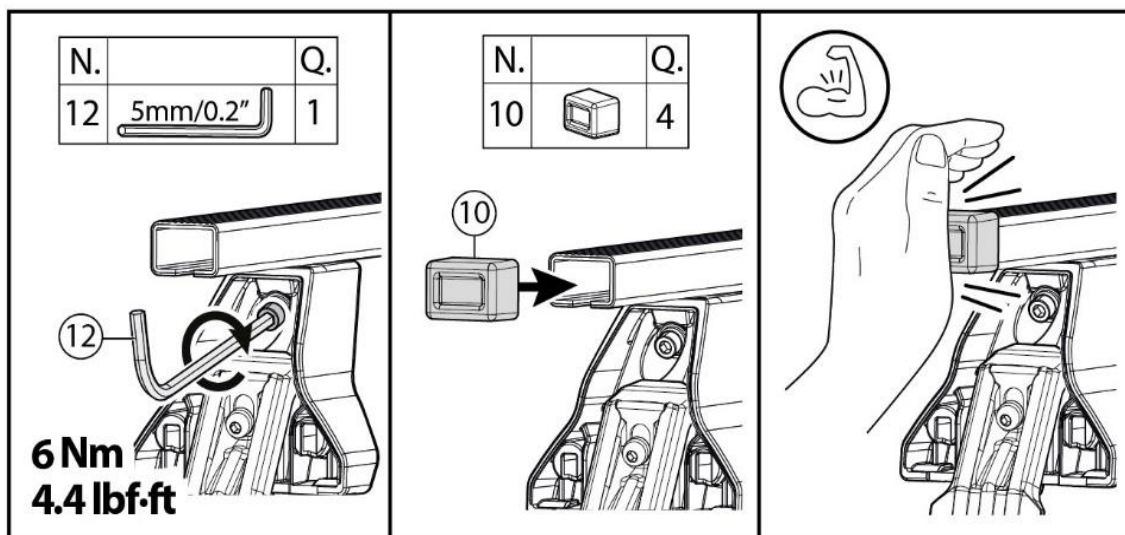
FIXING KIT OMEGA

2

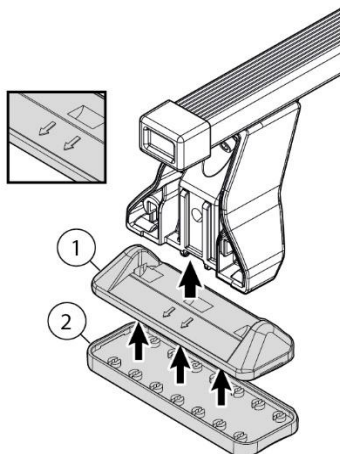


MANUFACTURER	MODEL CAR	DOORS	MODEL YEAR	D1	D2
ALFA ROMEO	156	4	03>05	9,5	8,3
ALFA ROMEO	156	4	97>03	9,5	8,3
ALFA ROMEO	164	4	87>97	10,1	10,4
ALFA ROMEO	156 Sportwagon	5	00>05	9,8	8,7
FIAT	Croma	4	85>96	10,7	10,0
LANCIA	K	4	94>00	10,0	10,0
LANCIA	Thema	4	84>94	10,7	10,0
SAAB	900	5	91>97	10,7	10,0
SAAB	9-5	4	97>12	13,3	12,1

3

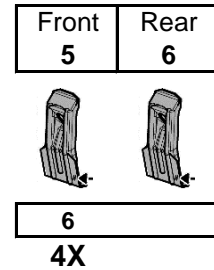
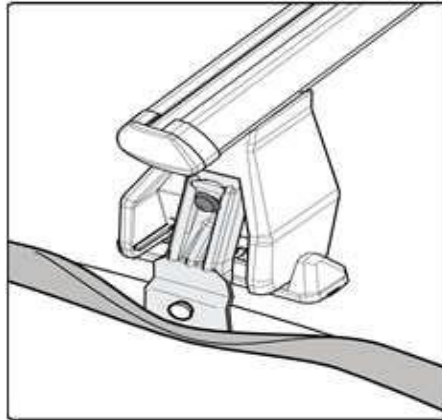
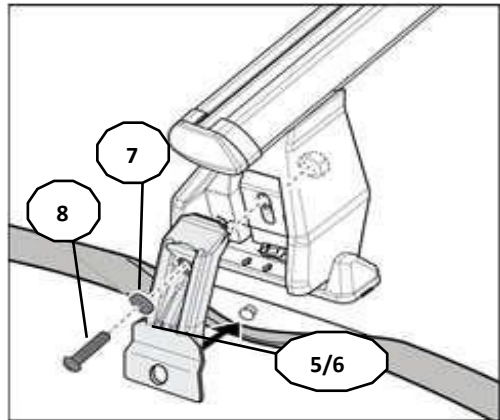
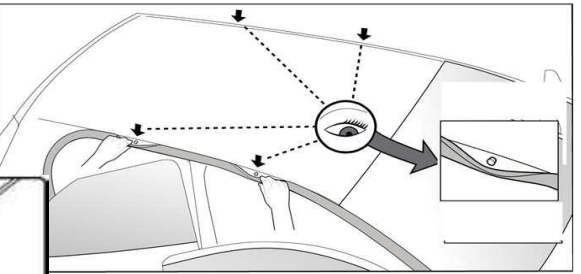


4



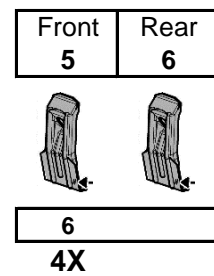
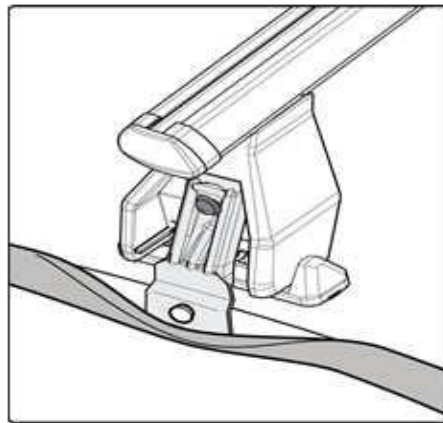
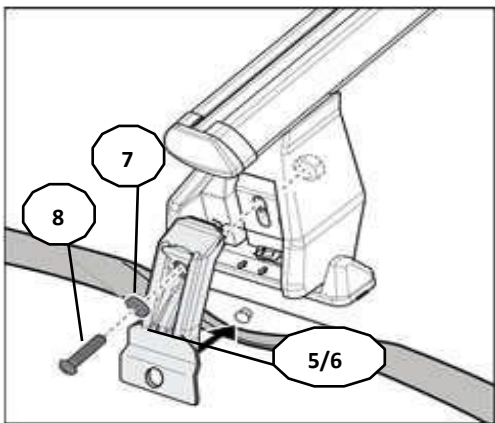
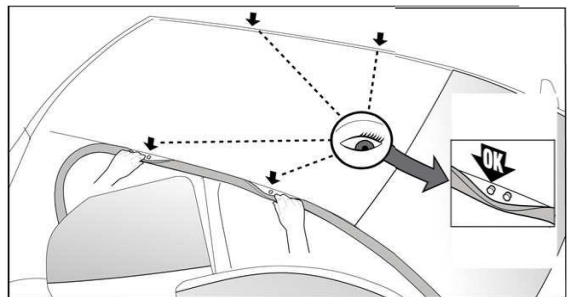
5a

MODEL CAR	DOORS	MODEL YEAR
156	4	97>05
164	4	87>97
156 Sportwagon	5	00>05



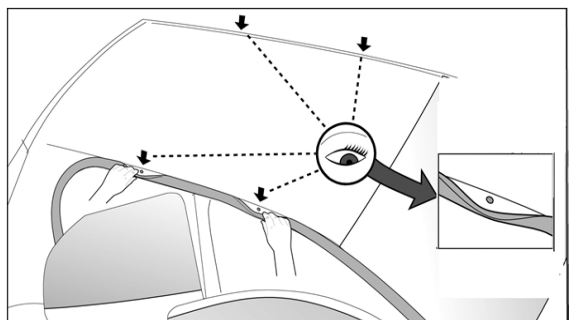
5b

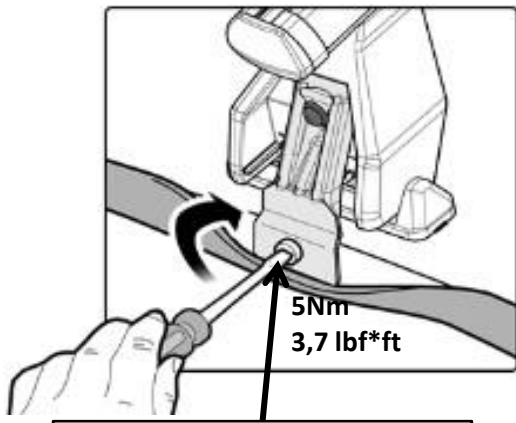
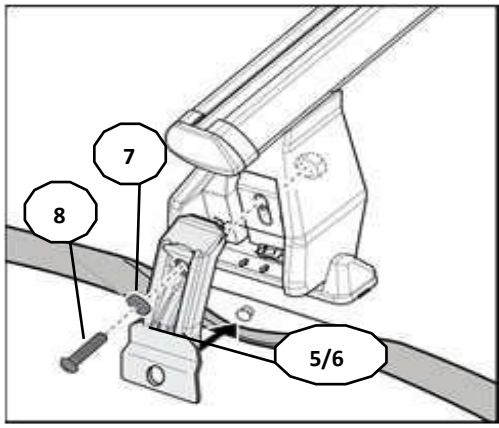
MODEL CAR	DOORS	MODEL YEAR
K	4	94>00



5c

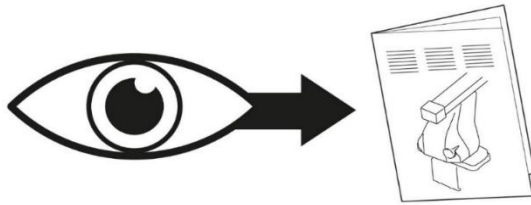
MODEL CAR	DOORS	MODEL YEAR
Croma	4	85>96
Thema	4	84>94
900	5	91>97
9-5	4	97>12





Front	Rear
5	6
6	
4X	

4 ⊕ M8x15 incluse - included



MANUAL OMEGA

NOTE:
