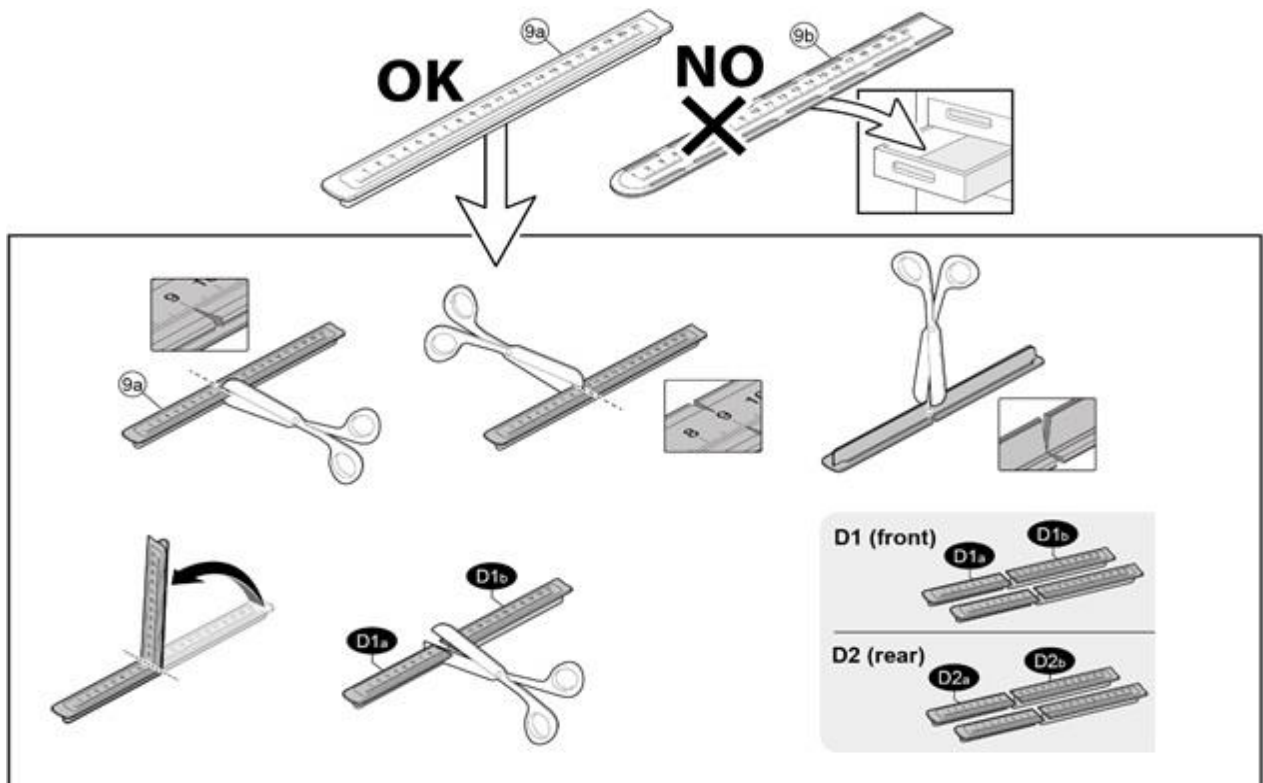


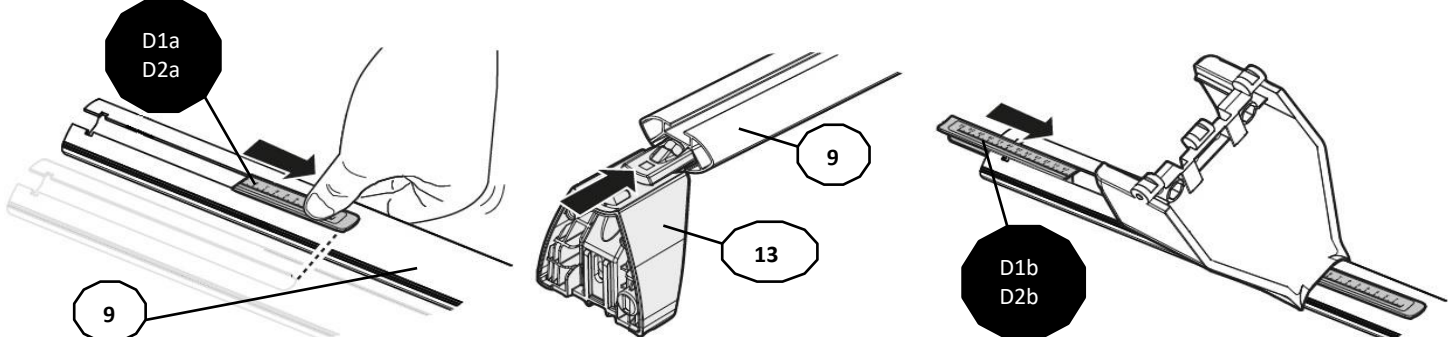
FIXING KIT DELTA

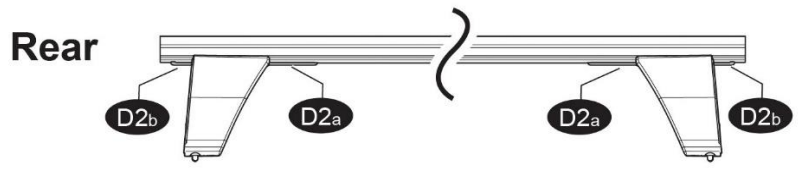
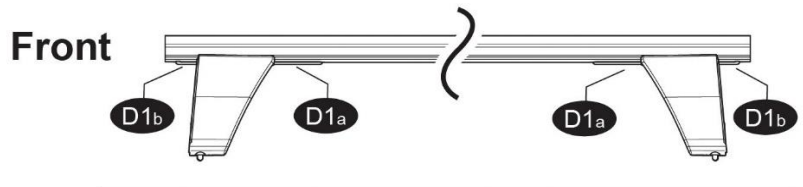
1



MANUFACTURER	MODEL CAR	DOORS	MODEL YEAR	D1	D2
FIAT	Punto I	3	93>99	7,8	10,5

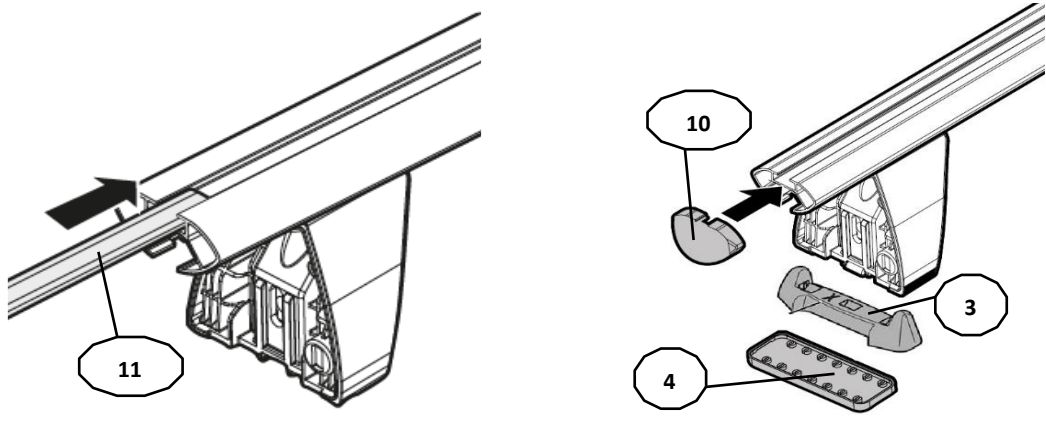
2





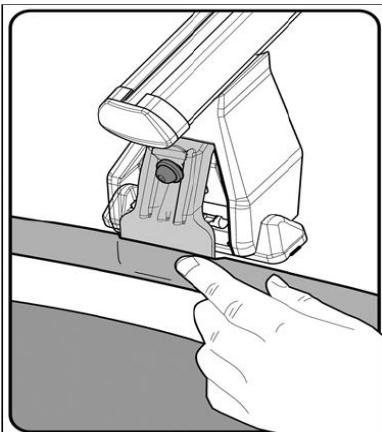
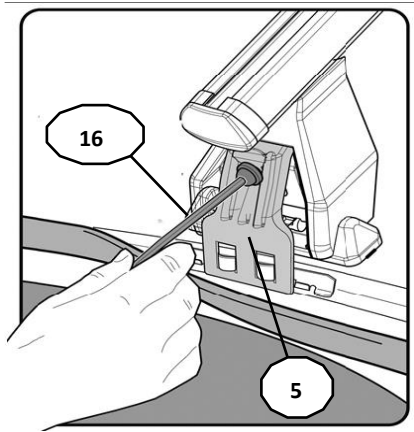
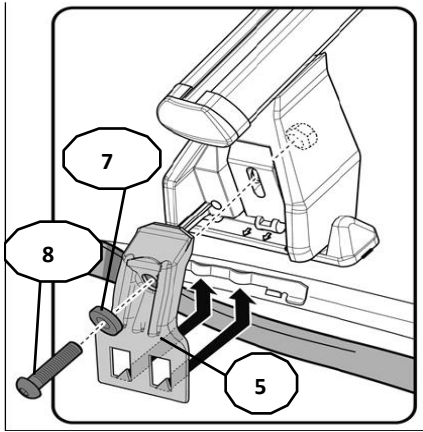
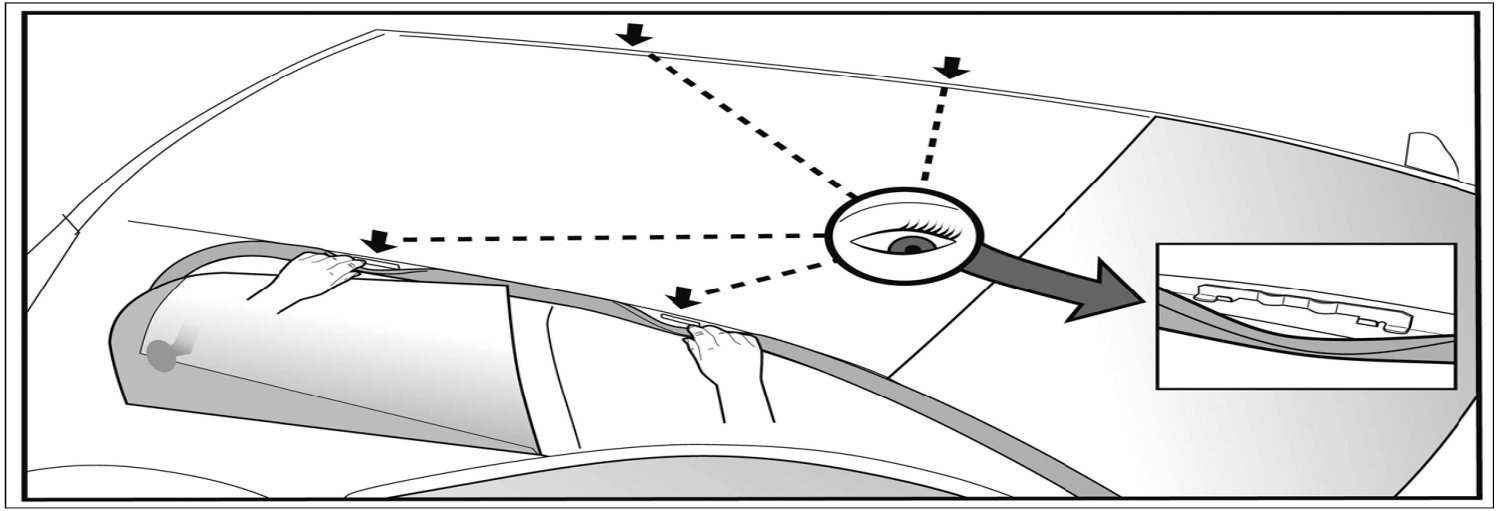
3

x4



4

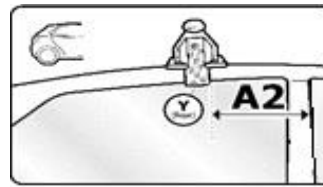
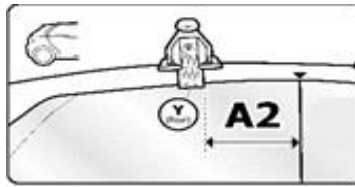
FRONT



Front
5



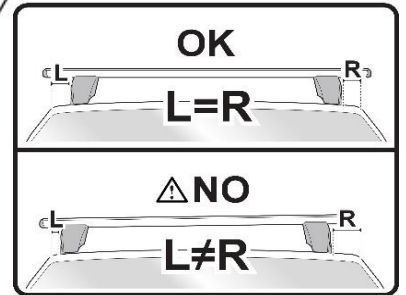
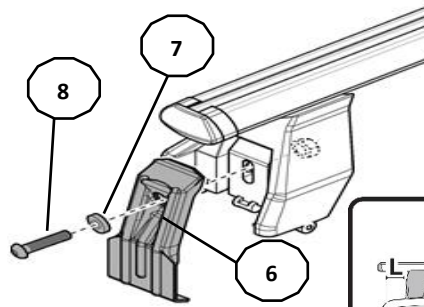
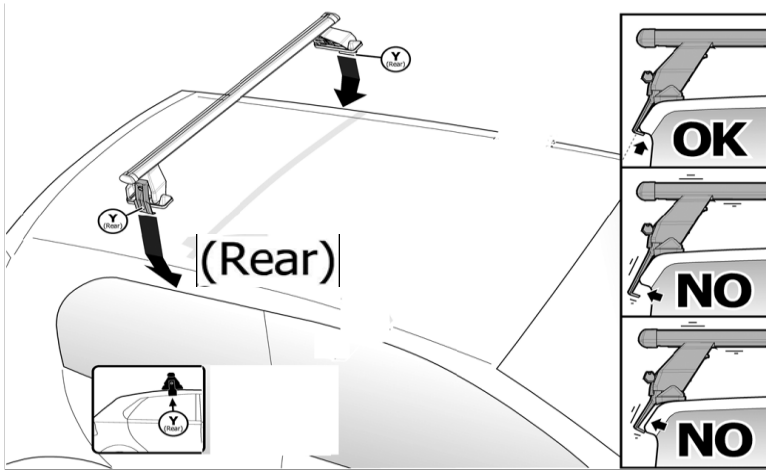
7
2X



Rear
6

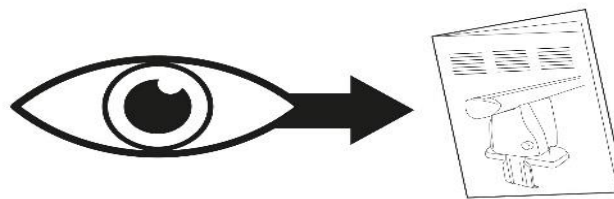


26
2X



MANUFACTURER	MODEL CAR	DOORS	MODEL YEAR	A1 cm	A2 cm	A1 in	A2 in
FIAT	Punto I	3	93>99		X		X

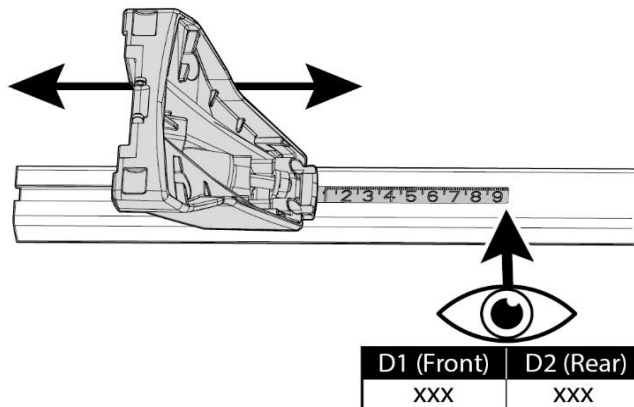
X = predisposizione originale /original arrangement



MANUAL DELTA

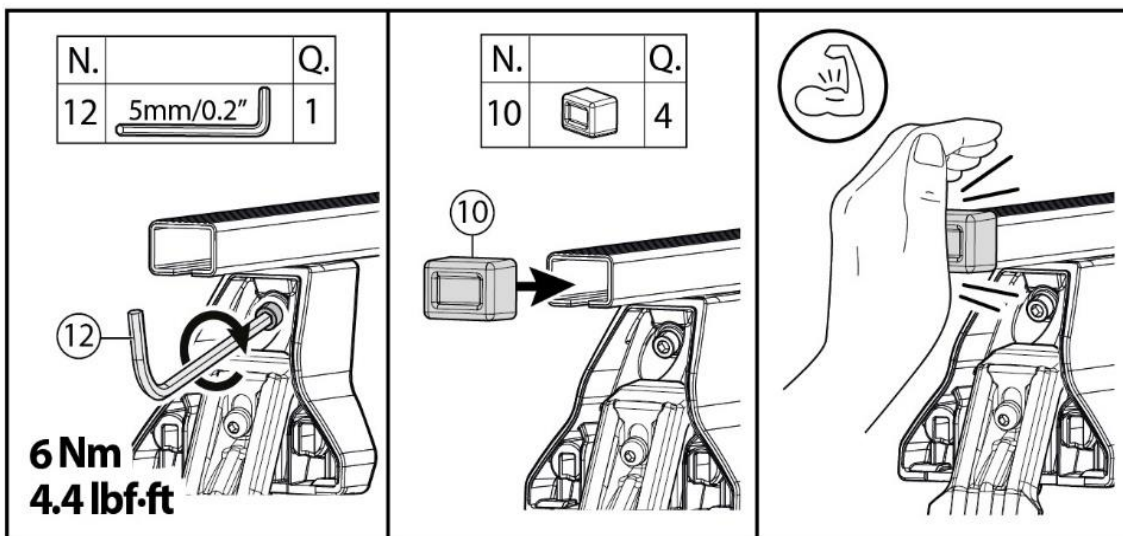
FIXING KIT OMEGA

2

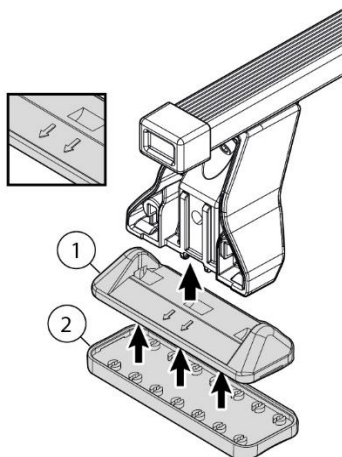


MANUFACTURER	MODEL CAR	DOORS	MODEL YEAR	D1	D2
FIAT	Punto I	3	93>99	7,8	10,5

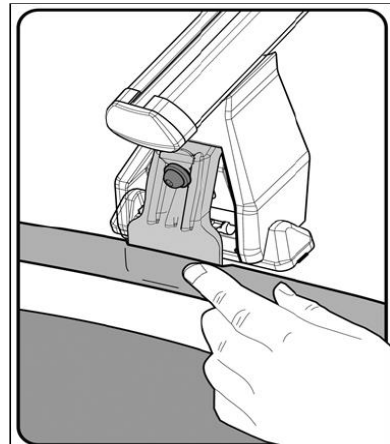
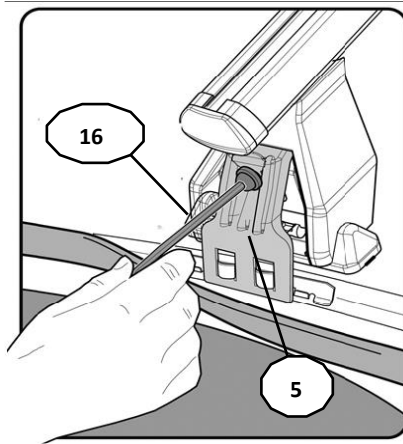
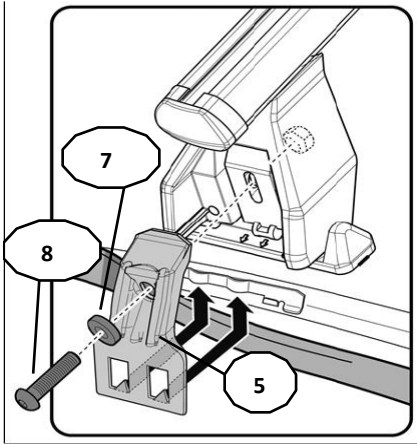
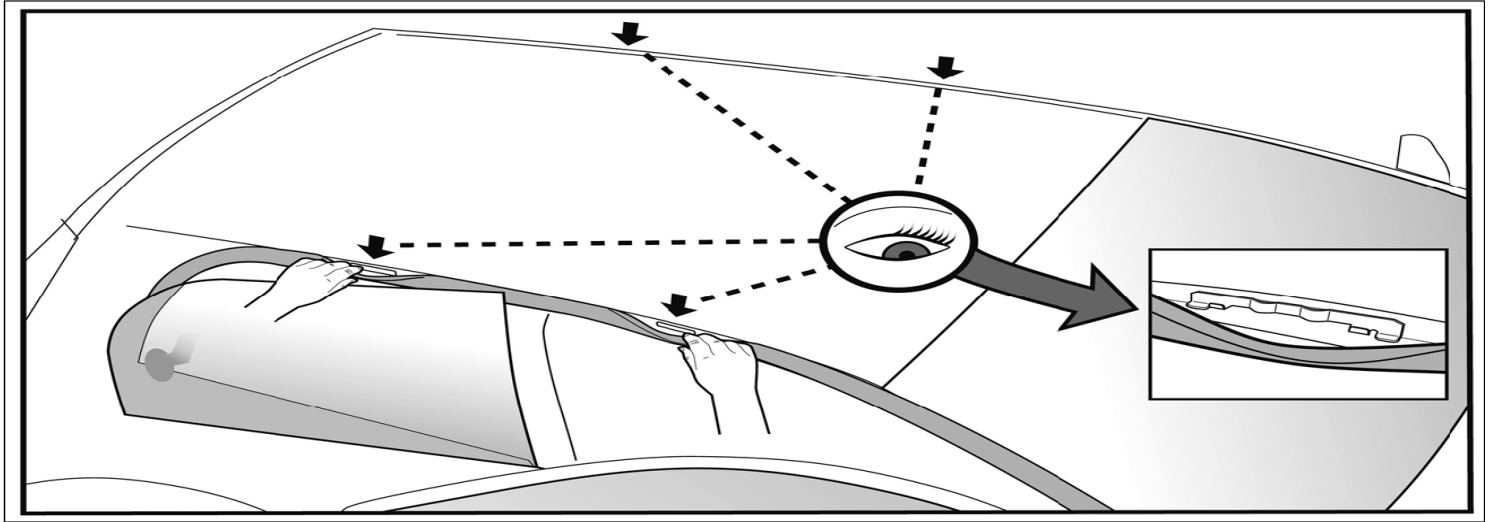
3



4

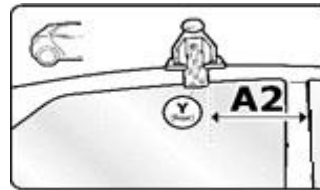
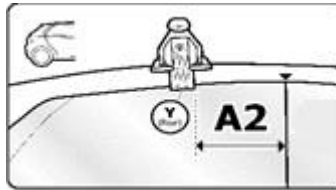


FRONT



- Front
- 5
- 
- 7
- 2X

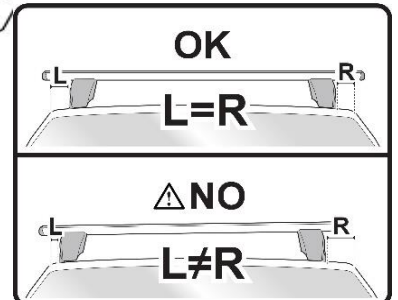
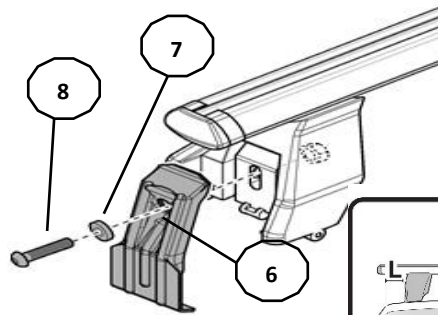
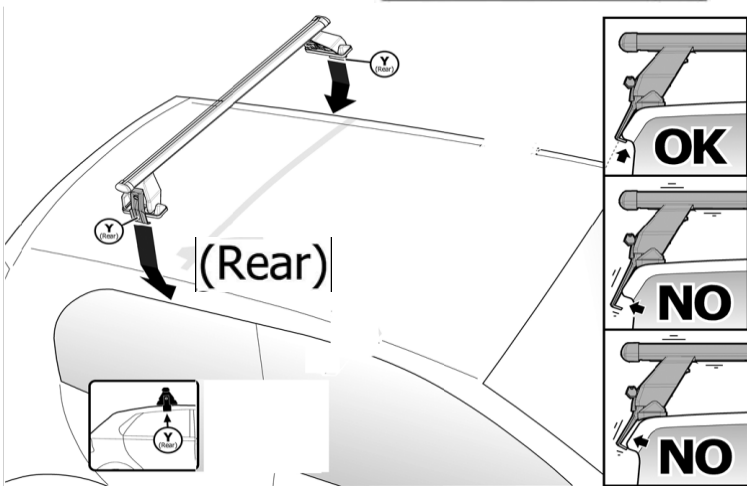
REAR



- Rear
- 6

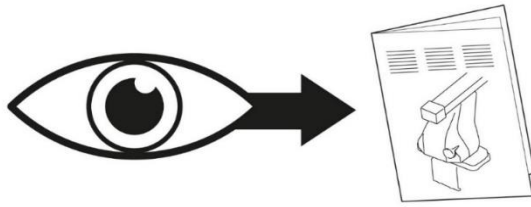


- 26
- 2X



MANUFACTURER	MODEL CAR	DOORS	MODEL YEAR	A1	A2	A1	A2
				cm	cm	in	in
FIAT	Punto I	3	93>99		X		X

X = predisposizione originale /original arrangement



MANUAL OMEGA

NOTE:
