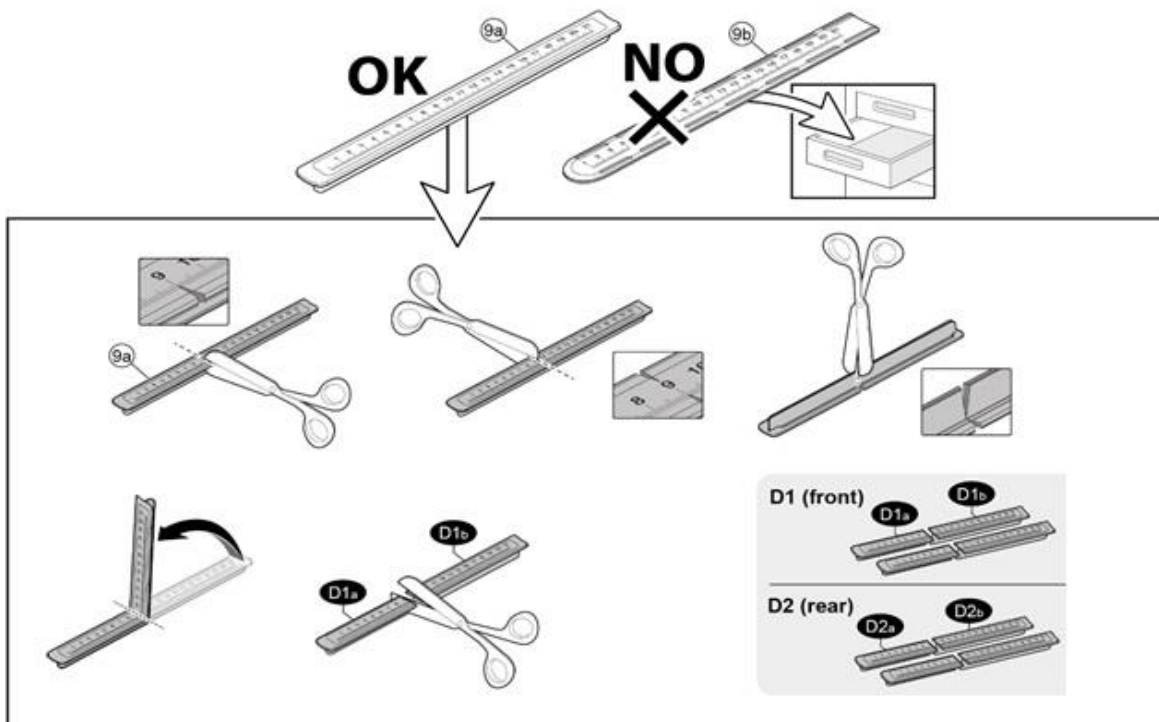
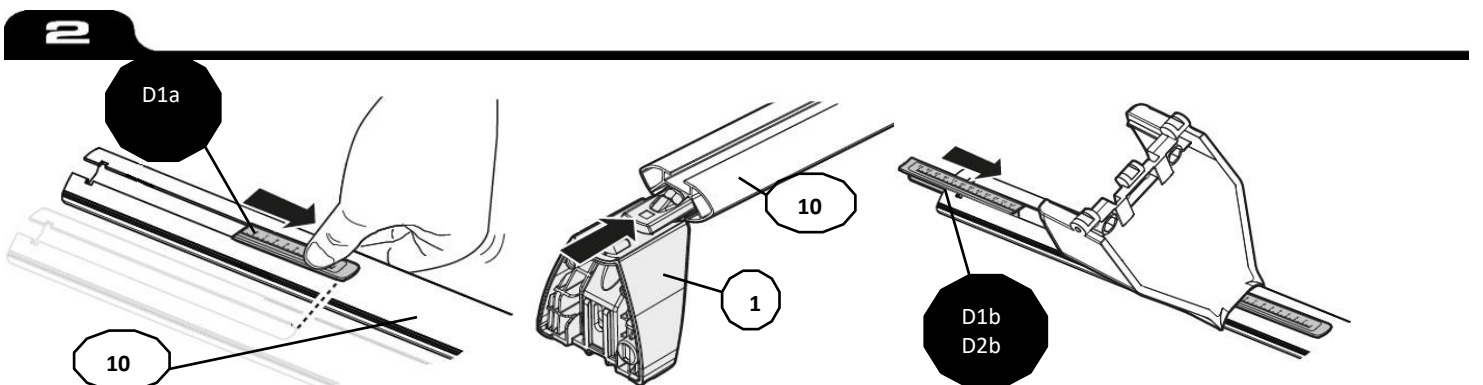


## FIXING KIT DELTA

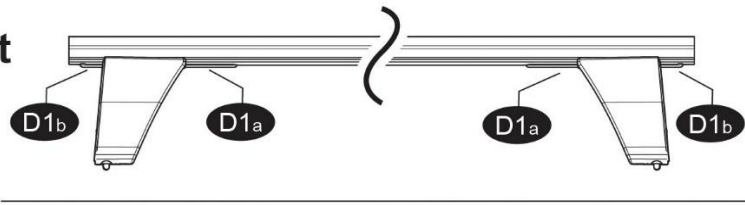
1



MANUFACTURER	MODEL CAR	DOORS	MODEL YEAR	D1	D2
SEAT	Ateca	5	16>	9,0	7,5
SUBARU	WRX STI	4	17>	7,2	7,2



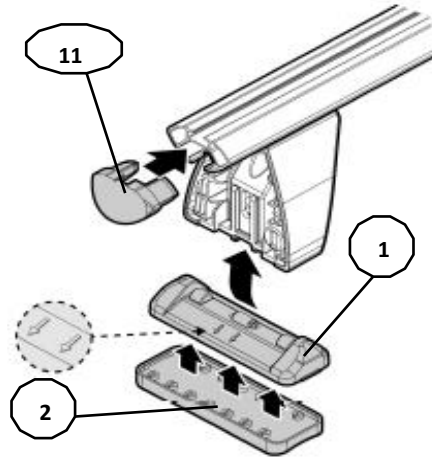
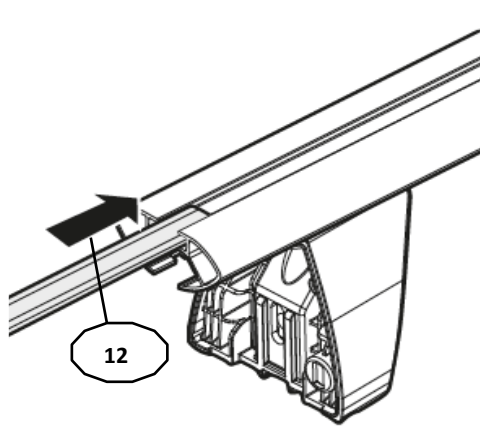
Front



Rear

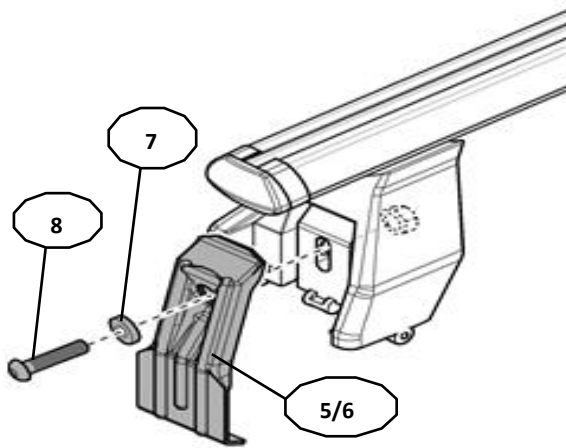


3



x4

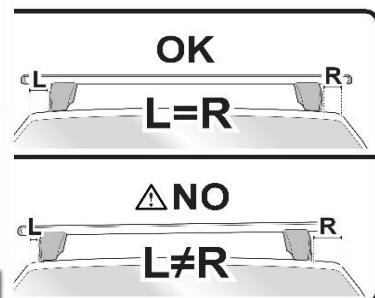
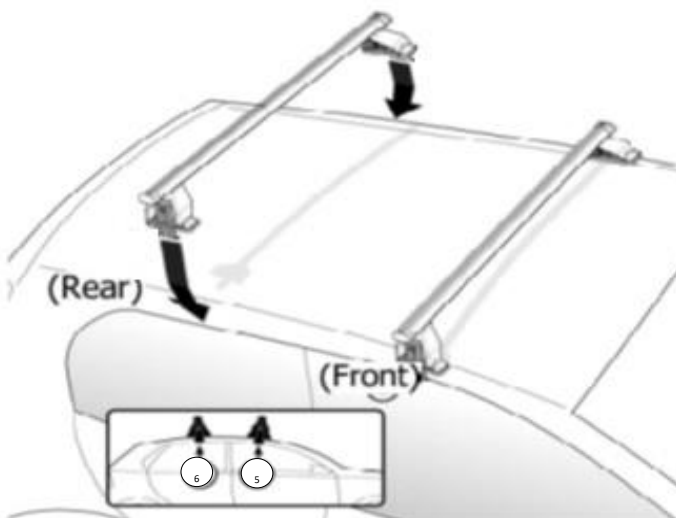
4

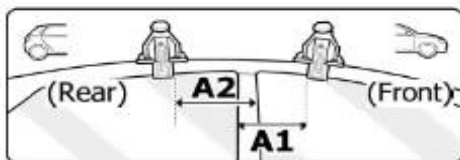


Front	Rear
5	6

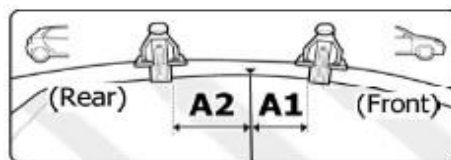


50R	3R
2X	2X





OR

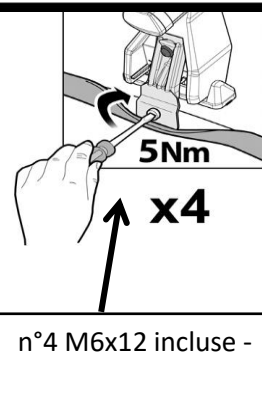


MANUFACTURER	MODEL CAR	DOORS	MODEL YEAR	A1 cm	A2 cm	A1 in	A2 in
SEAT	Ateca	5	16>	18	49	7,1	19,3
SUBARU	WRX STI	4	17>	27	41	10,6	16,1

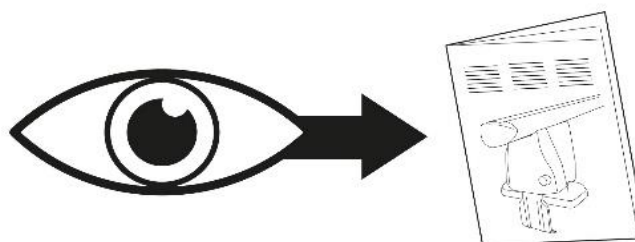
X = predisposizione originale /original arrangement

## 4a

MANUFACTURER	MODEL CAR	DOORS	MODEL YEAR
VOLKSWAGEN	Polo VI (AW)	5	17>



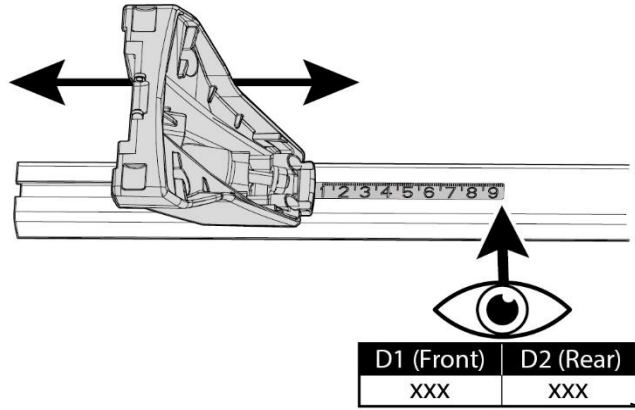
## 5



**MANUAL DELTA**

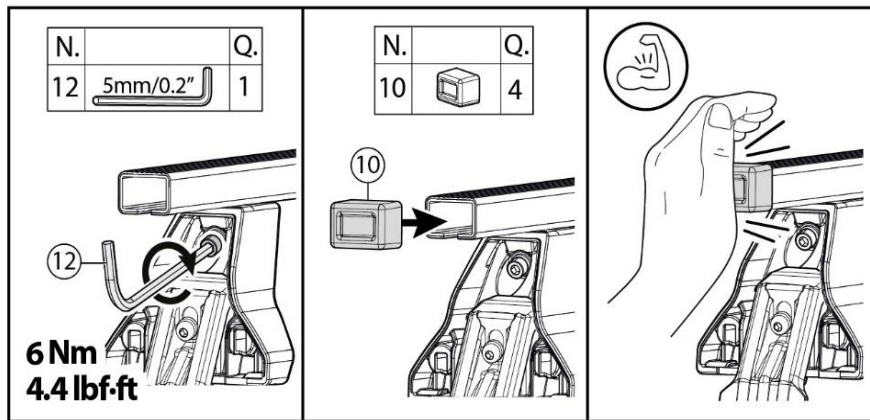
# FIXING KIT OMEGA

2

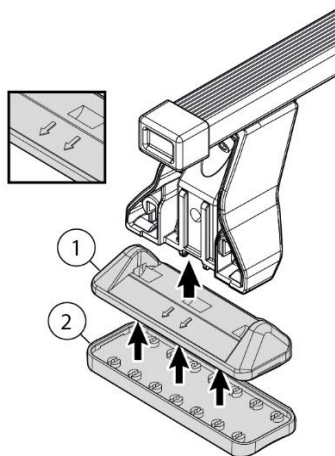


MANUFACTURER	MODEL CAR	DOORS	MODEL YEAR	D1	D2
SEAT	Ateca	5	16>	9,0	7,5
SUBARU	WRX STI	4	17>	7,2	7,2

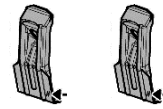
3



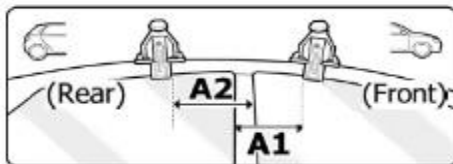
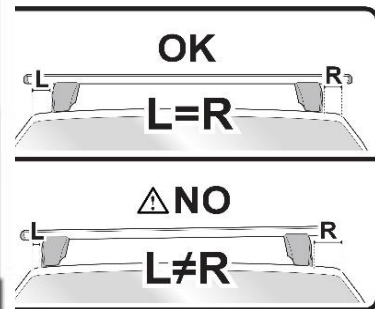
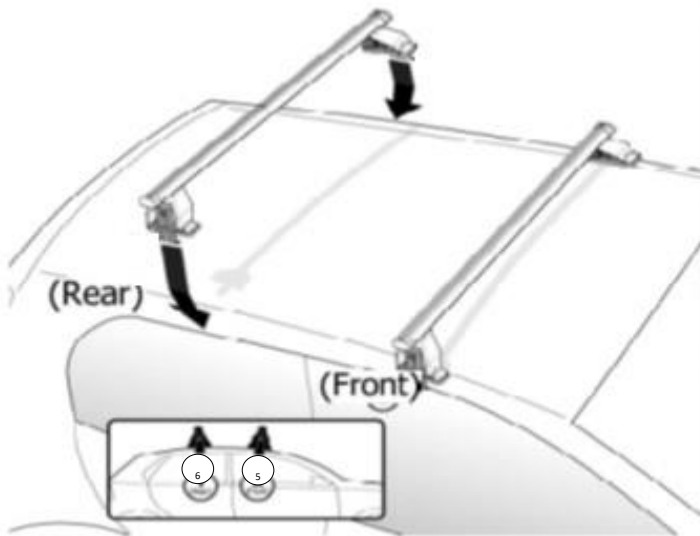
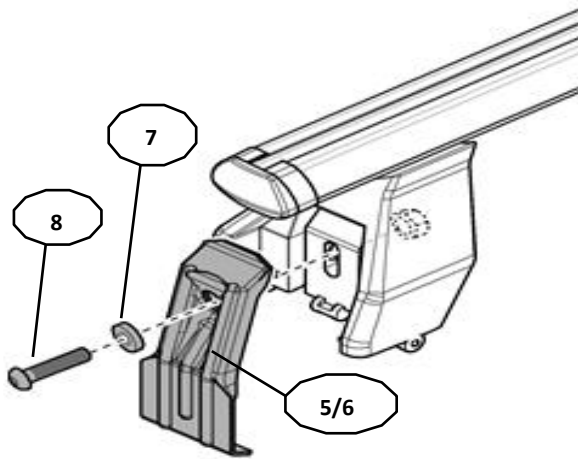
4



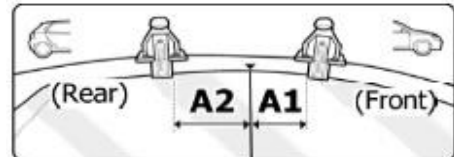
Front	Rear
5	6



50R	3R
2X	2X



OR

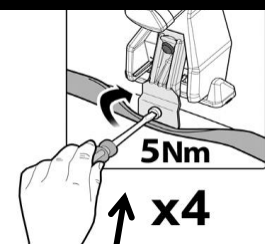


MANUFACTURER	MODEL CAR	DOORS	MODEL YEAR	A1	A2	A1	A2
				cm	cm	in	in
SEAT	Ateca	5	16>	18	49	7,1	19,3
SUBARU	WRX STI	4	17>	27	41	10,6	16,1

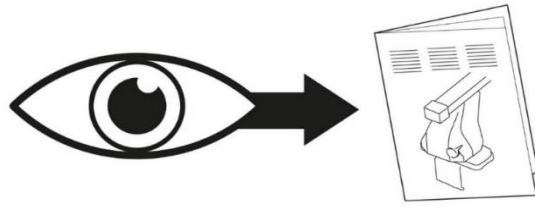
X = predisposizione originale /original arrangement

5a

MANUFACTURER	MODEL CAR	DOORS	MODEL YEAR
VOLKSWAGEN	Polo VI (AW)	5	17>



n°4 M6x12 incluse -



**MANUAL OMEGA**

NOTE:

---

---

---

---