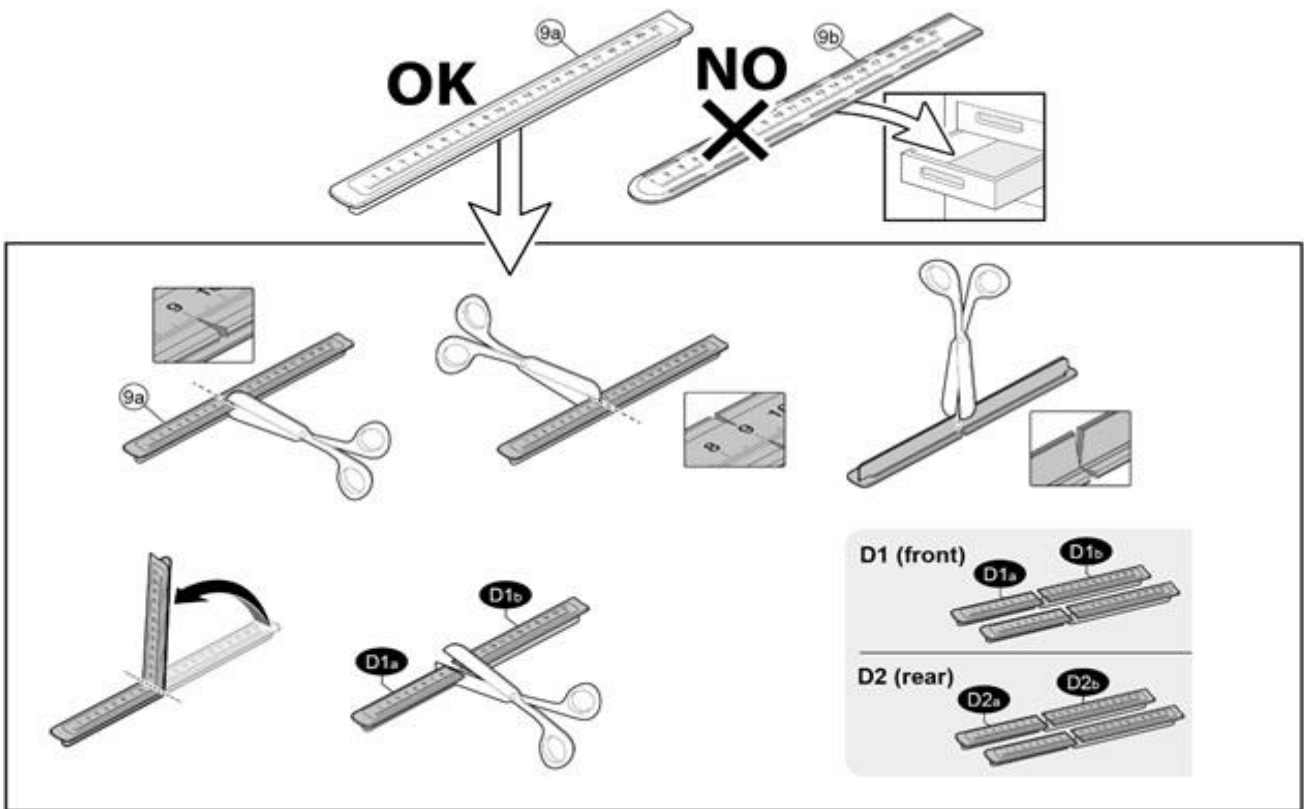


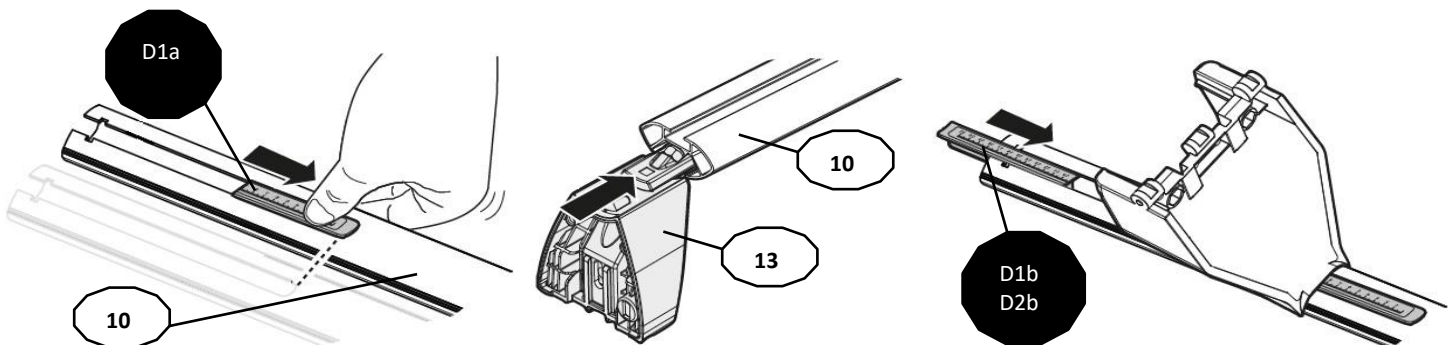
## FIXING KIT DELTA

**1**

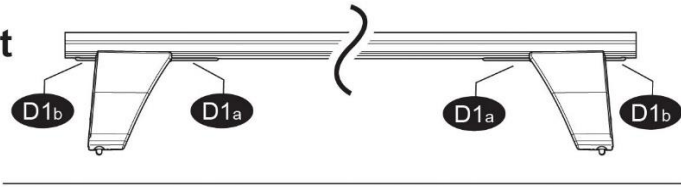


MANUFACTURER	MODEL CAR	DOORS	MODEL YEAR	D1	D2
ALFA ROMEO	Giulietta	5	10>	8,4	7,5

**2**



Front

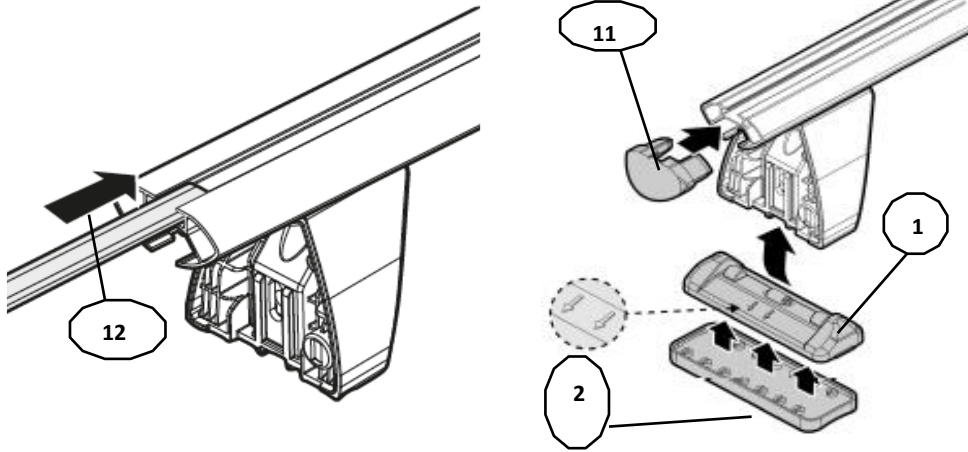


Rear

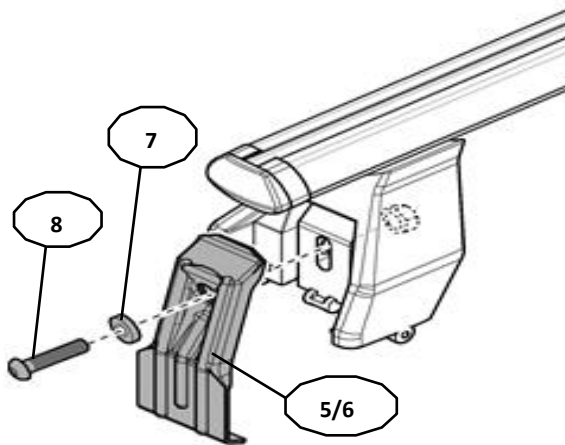


3

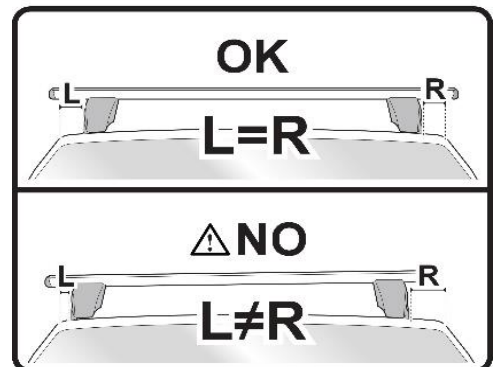
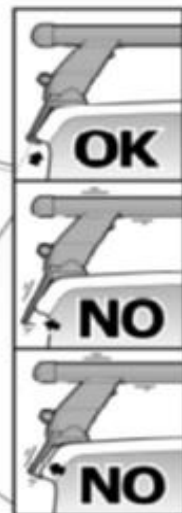
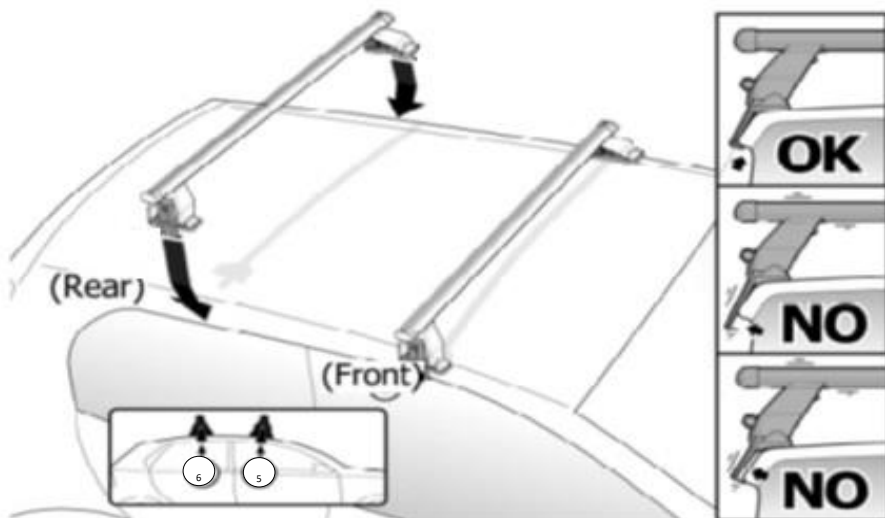
x4

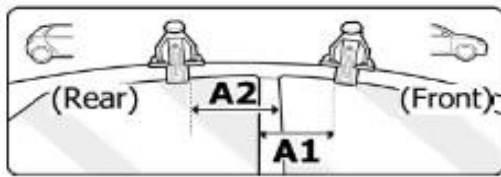


4

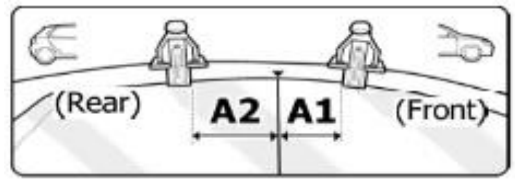


Front	Rear
5	6
15	3
2X	2X





OR

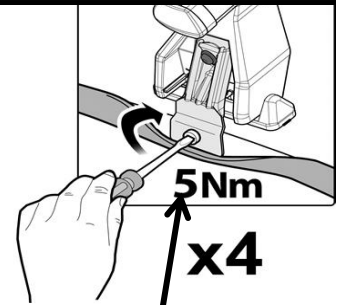


MANUFACTURER	MODEL CAR	DOORS	MODEL YEAR	A1 cm	A2 cm	A1 in	A2 in
ALFA ROMEO	Giulietta	5	10>	24	X	9,4	X

X = predisposizione originale /original arrangement

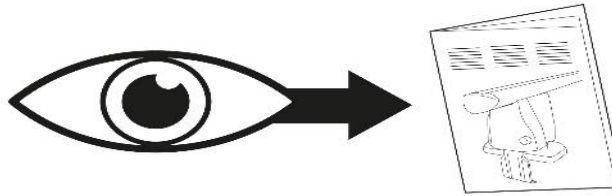
## 4a

MANUFACTURER	MODEL CAR	DOORS	MODEL YEAR
ALFA ROMEO	Giulietta	5	10>



n°4 M6x12 incluse -

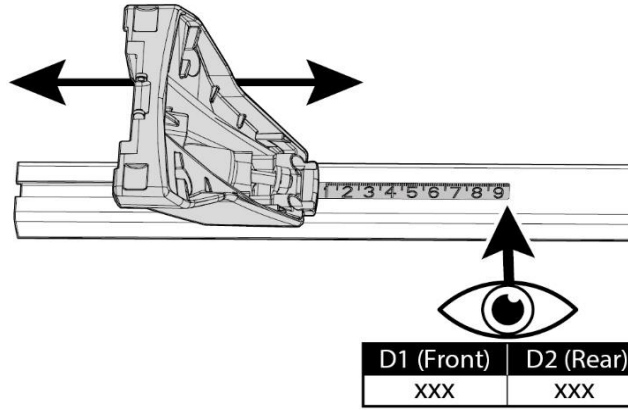
## 5



**MANUAL DELTA**

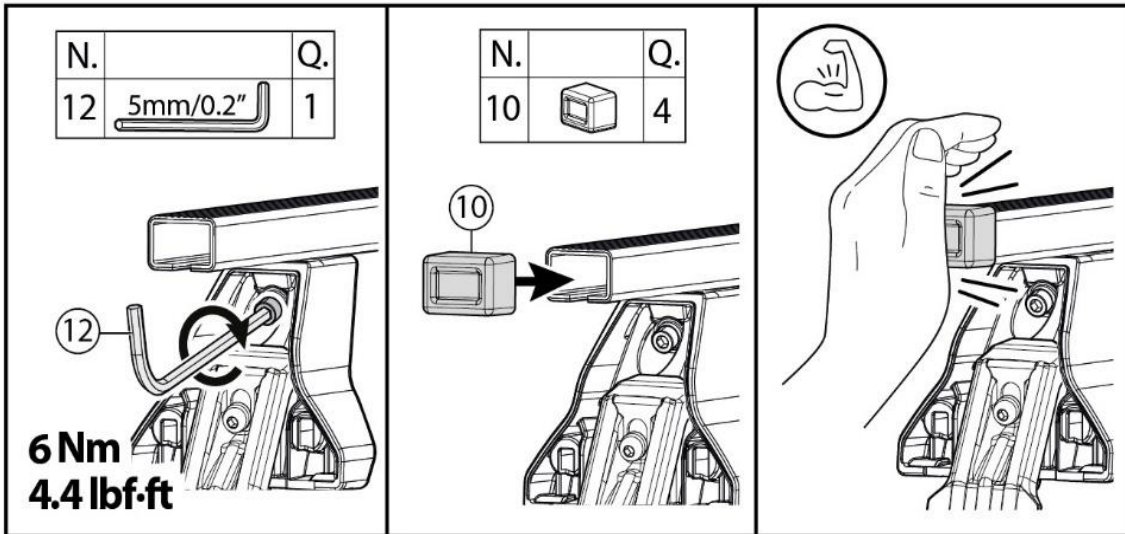
# FIXING KIT OMEGA

2

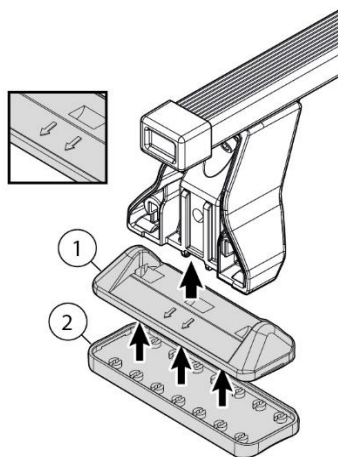


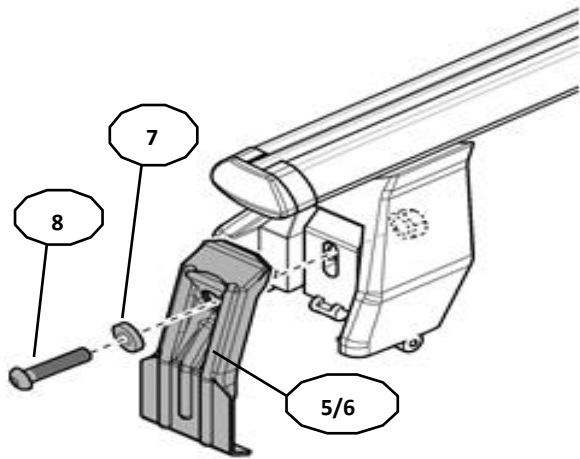
MANUFACTURER	MODEL CAR	DOORS	MODEL YEAR	D1	D2
ALFA ROMEO	Giulietta	5	10>	8,4	7,5

3

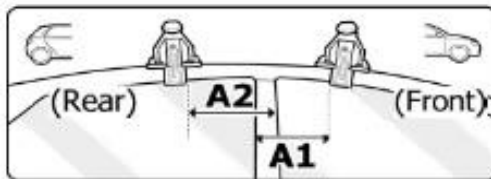
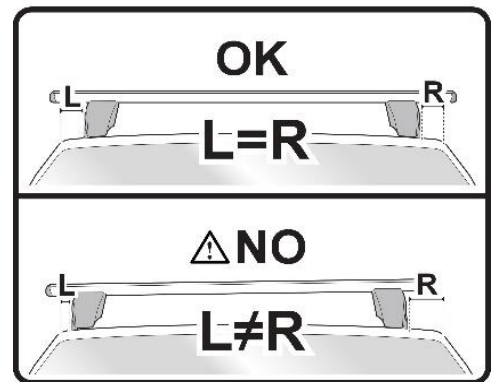
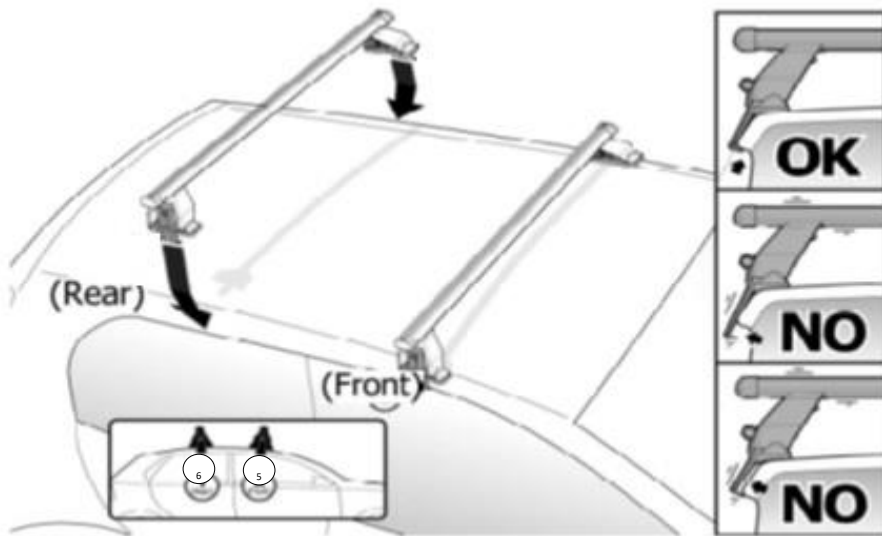


4

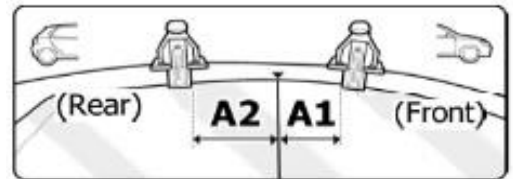




Front	Rear
5	6
15	3
2X	2X



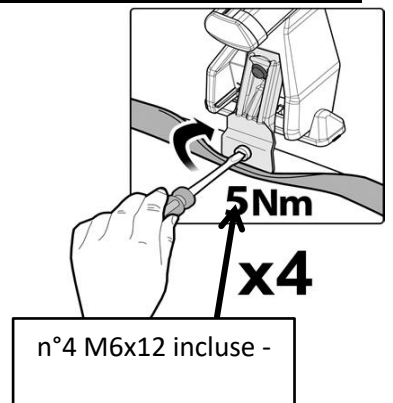
OR

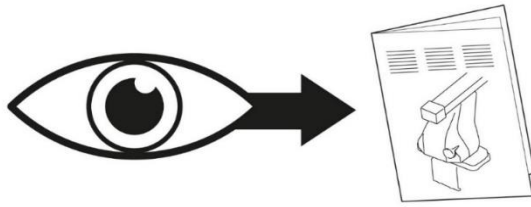


MANUFACTURER	MODEL CAR	DOORS	MODEL YEAR	A1	A2	A1	A2
				cm	cm	in	in
ALFA ROMEO	Giulietta	5	10>	24	X	9,4	X

X = predisposizione originale /original arrangement

MANUFACTURER	MODEL CAR	DOORS	MODEL YEAR
ALFA ROMEO	Giulietta	5	10>





**MANUAL OMEGA**

NOTE:

---

---

---

---