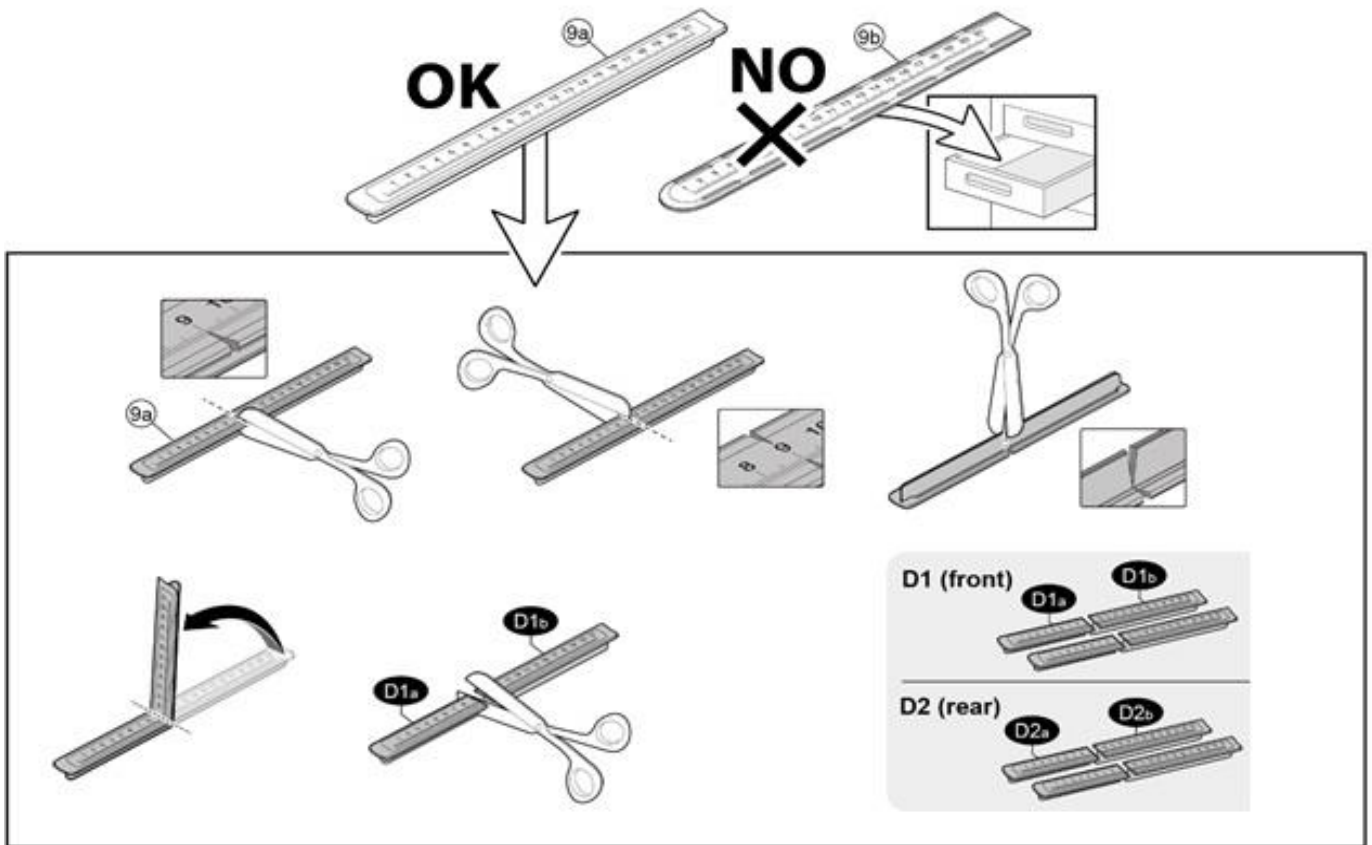


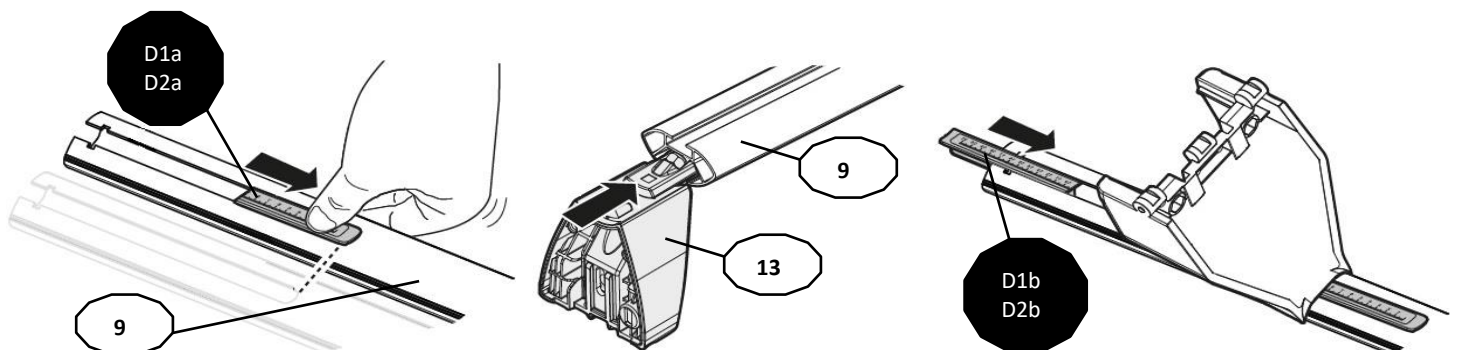
FIXING KIT DELTA

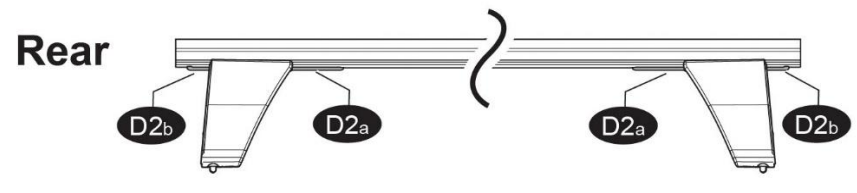
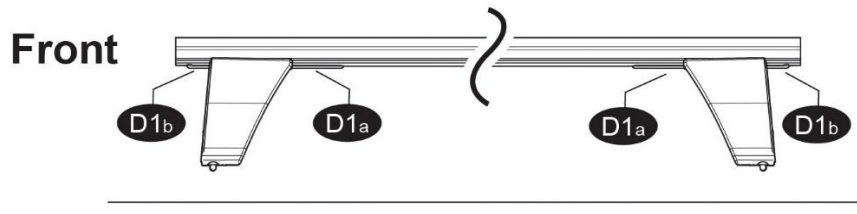
1



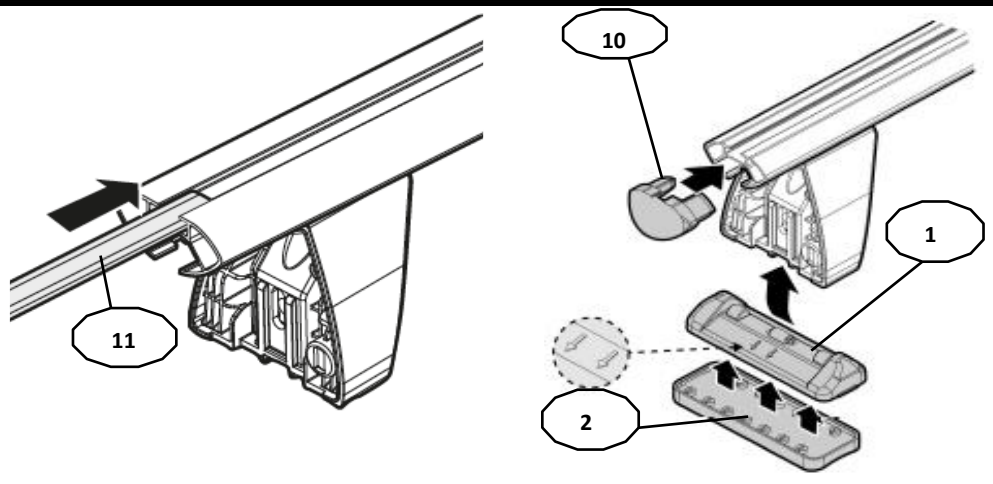
| MANUFACTURER | MODEL CAR | DOORS | MODEL YEAR | D1 | D2 |
|--------------|--------------|-------|------------|------|------|
| TOYOTA | Venza (AV10) | 5 | 08>17 | 11,6 | 10,9 |

2

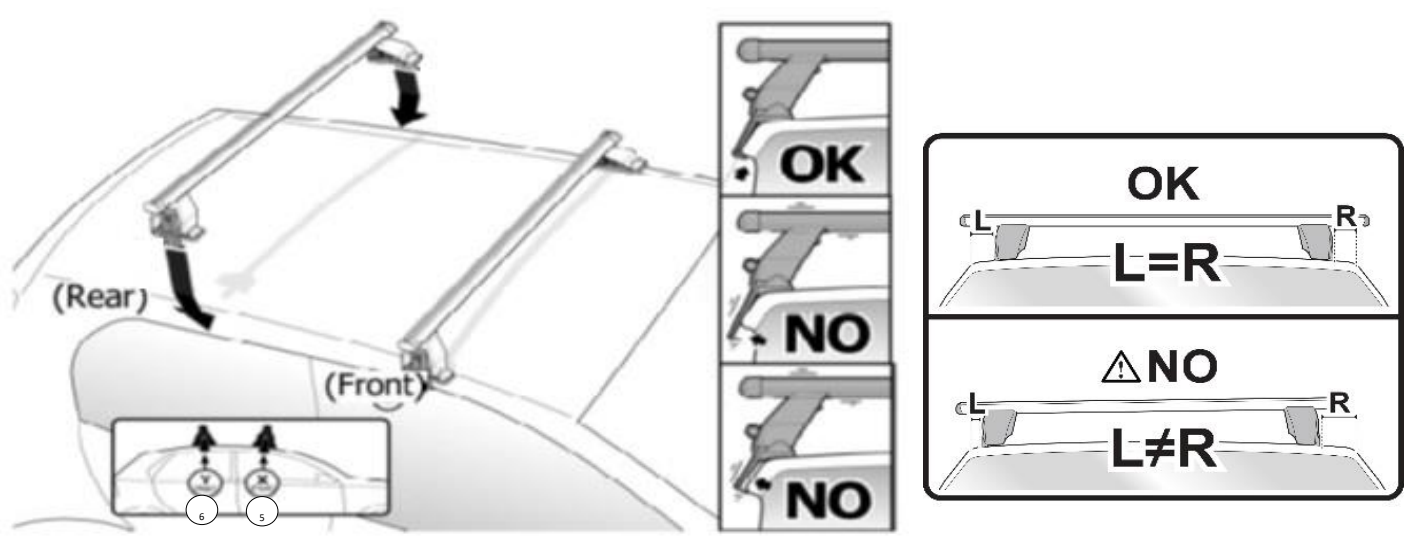
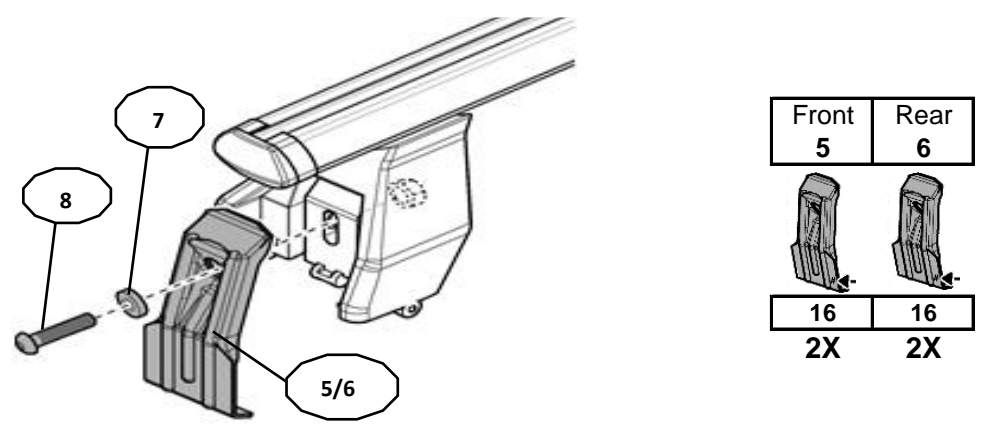


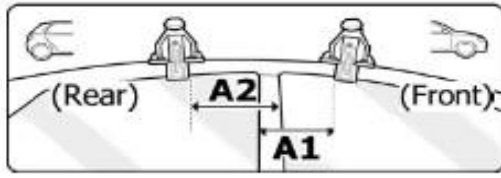


3 **x4**

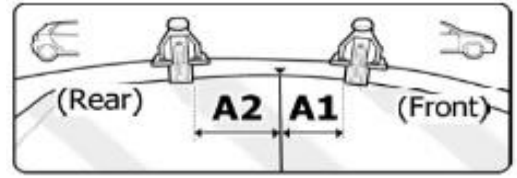


4





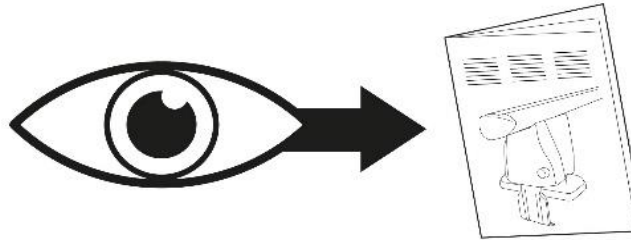
OR



| MANUFACTURER | MODEL CAR | DOORS | MODEL YEAR | A1 | A2 | A1 | A2 |
|--------------|--------------|-------|------------|----|----|-----|------|
| | | | | cm | cm | in | in |
| TOYOTA | Venza (AV10) | 5 | 08>17 | 23 | 43 | 9,1 | 16,9 |

X = predisposizione originale /original arrangement

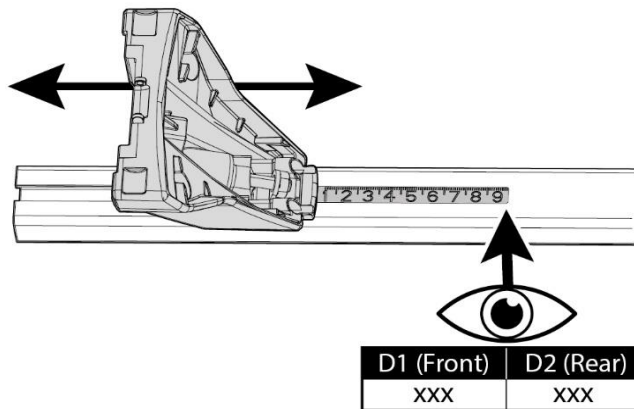
5



MANUAL DELTA

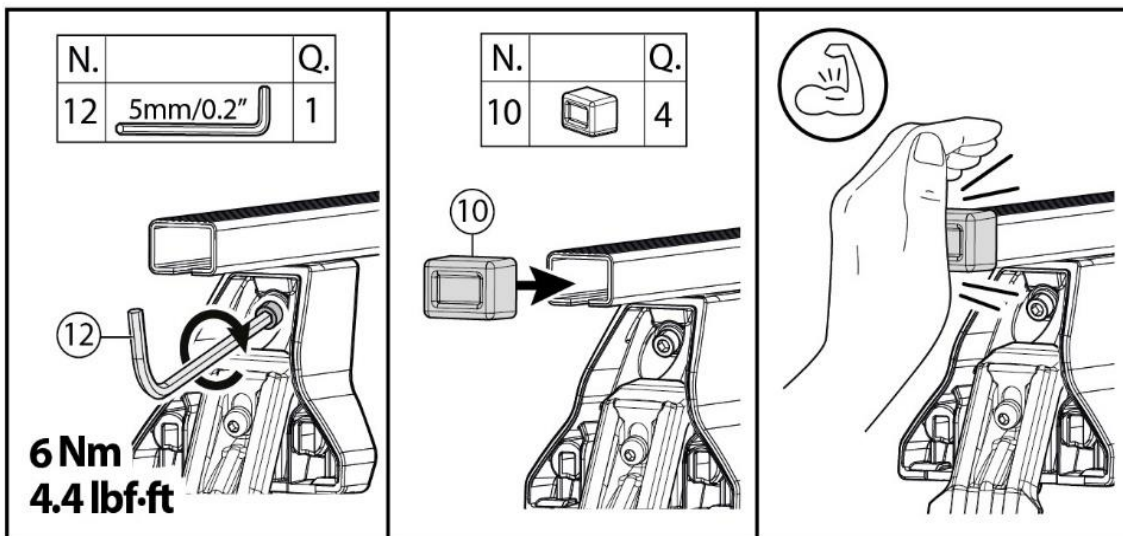
FIXING KIT OMEGA

2

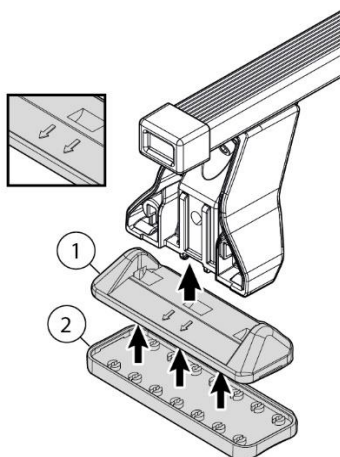


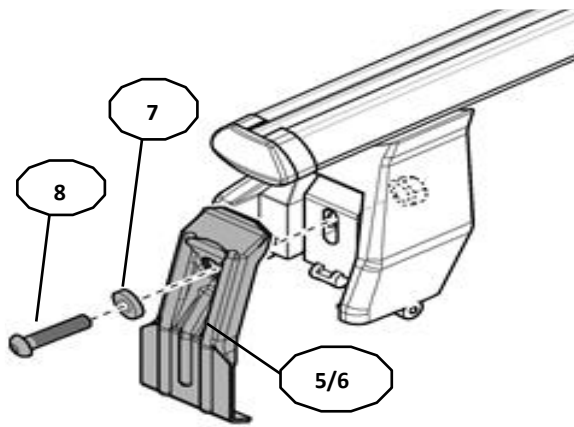
| MANUFACTURER | MODEL CAR | DOORS | MODEL YEAR | D1 | D2 |
|--------------|--------------|-------|------------|------|------|
| TOYOTA | Venza (AV10) | 5 | 08>17 | 11,6 | 10,9 |

3

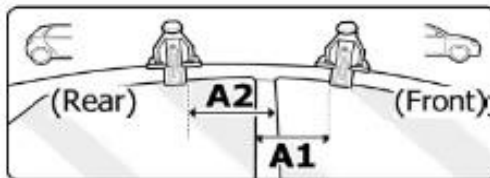
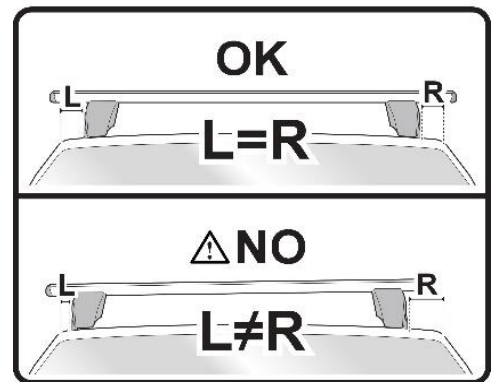
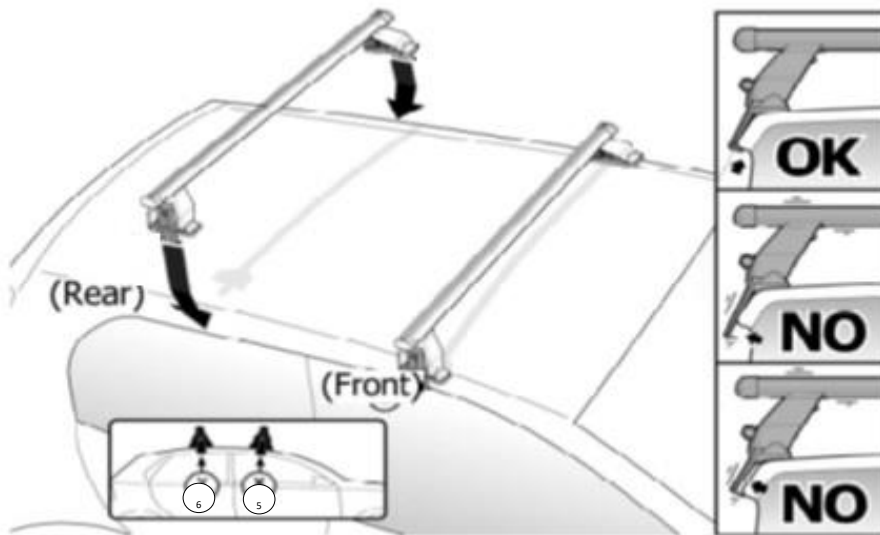


4

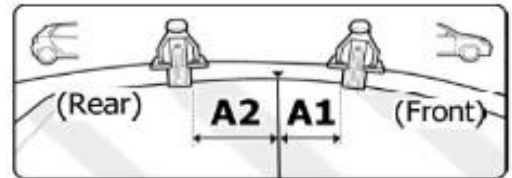




| | |
|------------|-----------|
| Front 5 | Rear 6 |
| | |
| 16 2X | 16 2X |

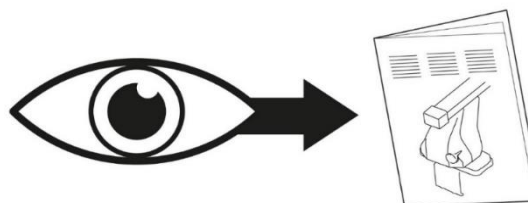


OR



| MANUFACTURER | MODEL CAR | DOORS | MODEL YEAR | A1 | A2 | A1 | A2 |
|--------------|--------------|-------|------------|----|----|-----|------|
| | | | | cm | cm | in | in |
| TOYOTA | Venza (AV10) | 5 | 08>17 | 23 | 43 | 9,1 | 16,9 |

X = predisposizione originale /original arrangement



MANUAL OMEGA

NOTE:
