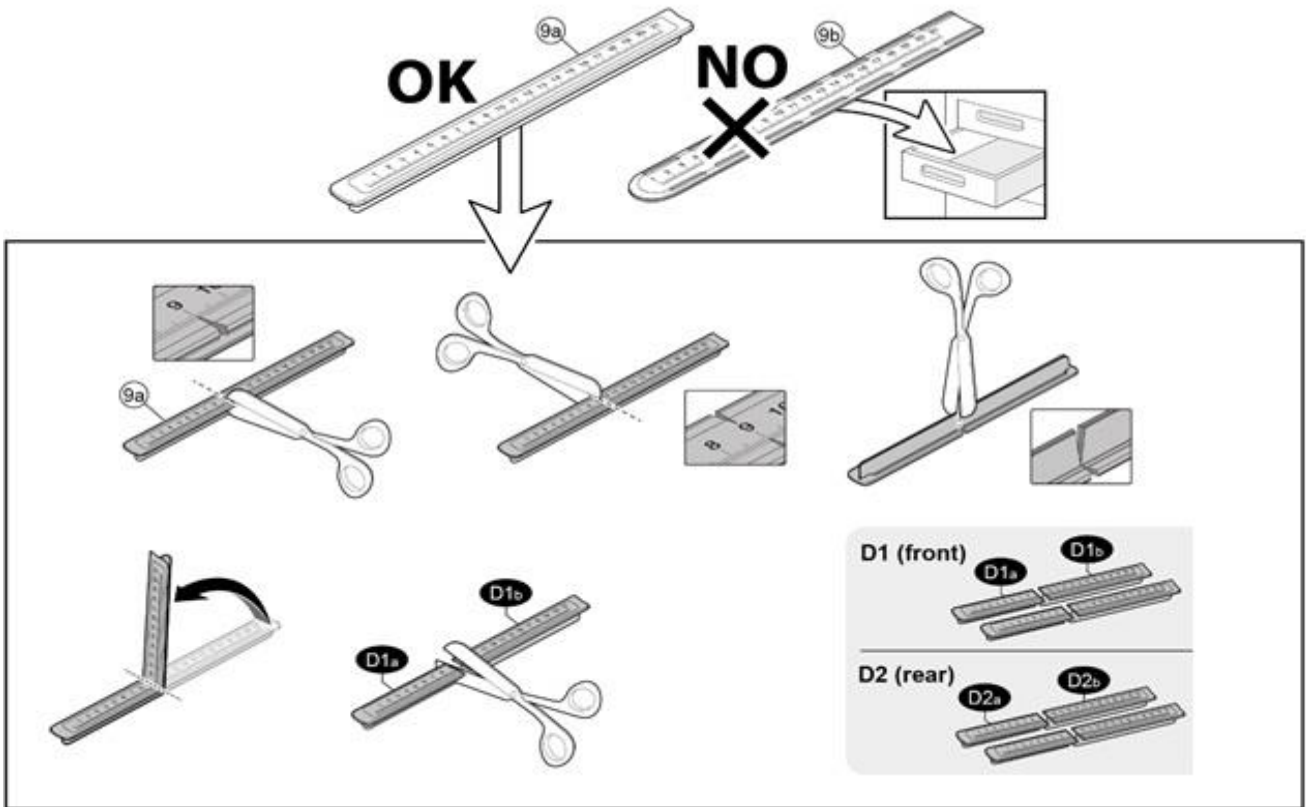


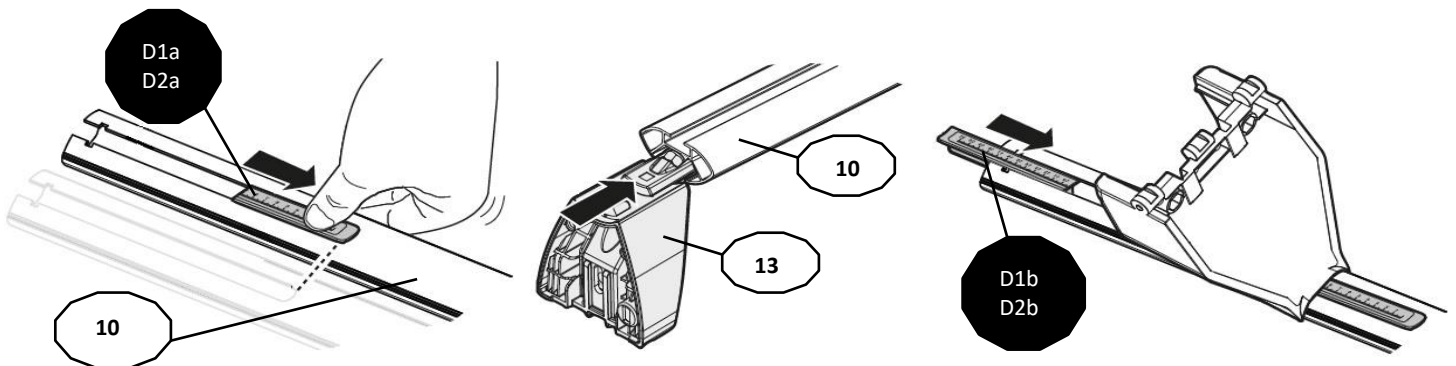
FIXING KIT DELTA

1

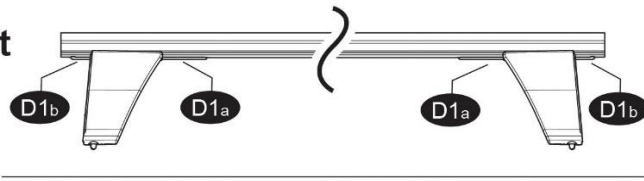


MANUFACTURER	MODEL CAR	DOORS	MODEL YEAR	D1	D2
HONDA	Insight III	4	19>	5,4	6,2

2



Front

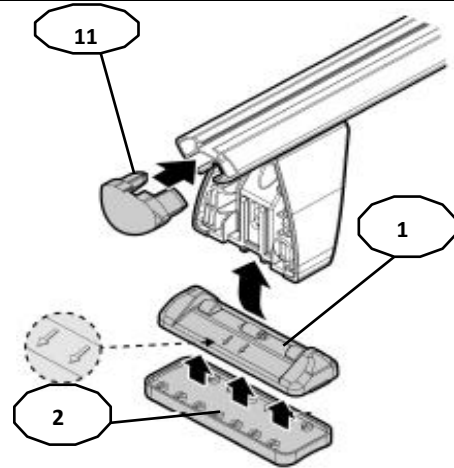
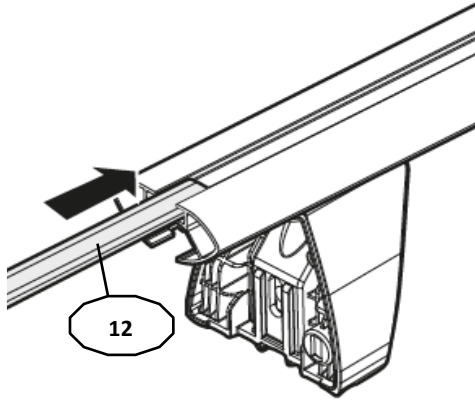


Rear

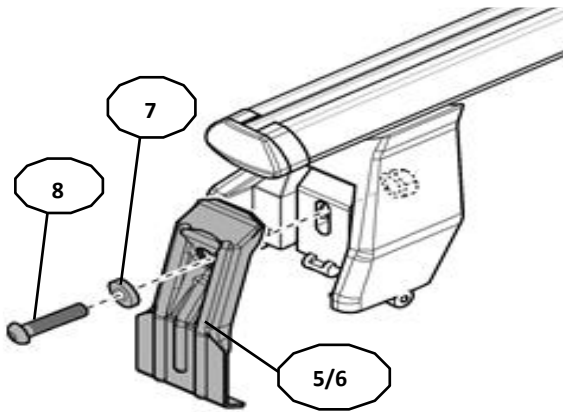


3

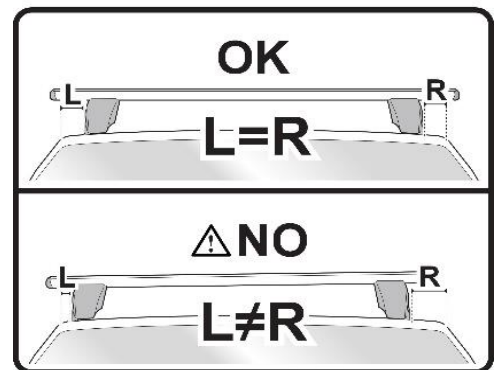
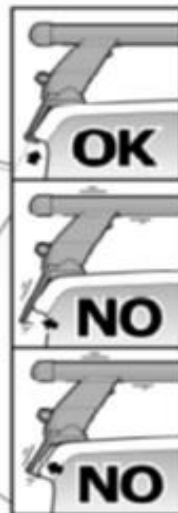
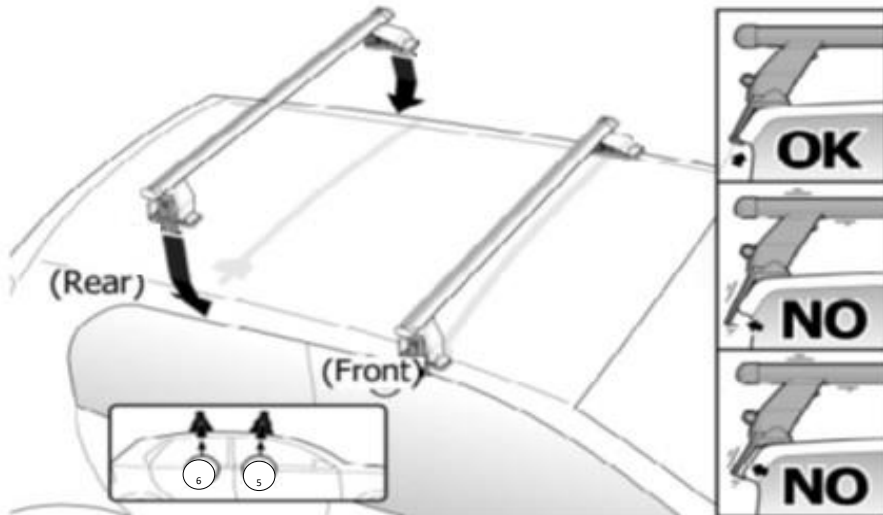
x4

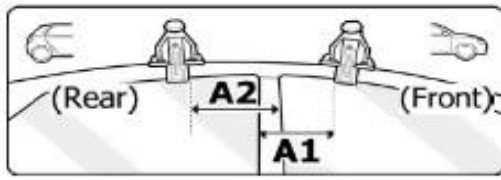


4

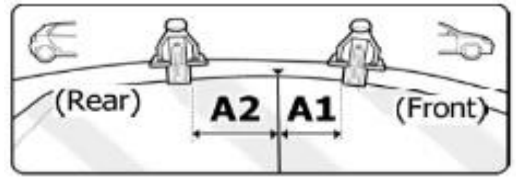


Front	Rear
5	6
24 2X	21R 2X





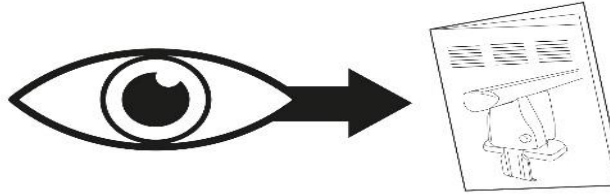
OR



MANUFACTURER	MODEL CAR	DOORS	MODEL YEAR	A1	A2	A1	A2
				cm	cm	in	in
HONDA	<i>Insight III</i>	4	19>	30	34	11,8	13,4

X = predisposizione originale /original arrangement

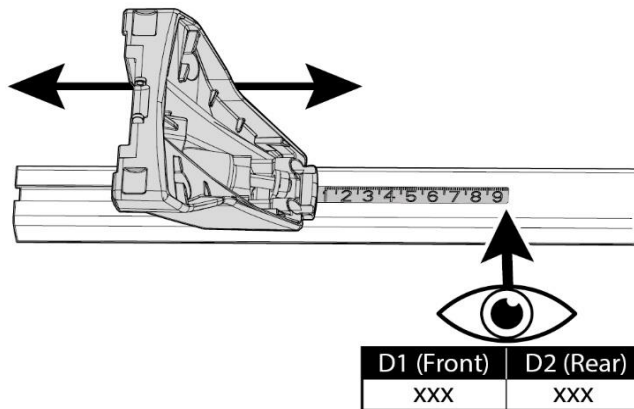
5



MANUAL DELTA

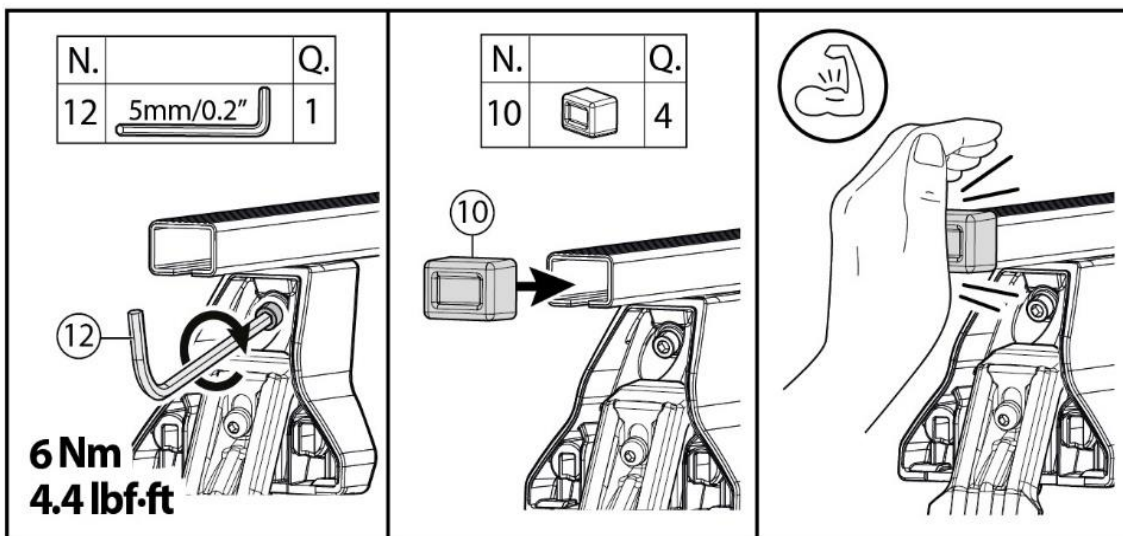
FIXING KIT OMEGA

2

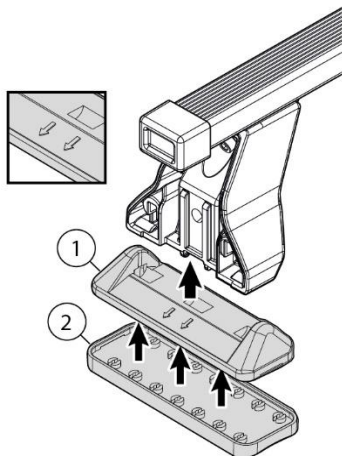


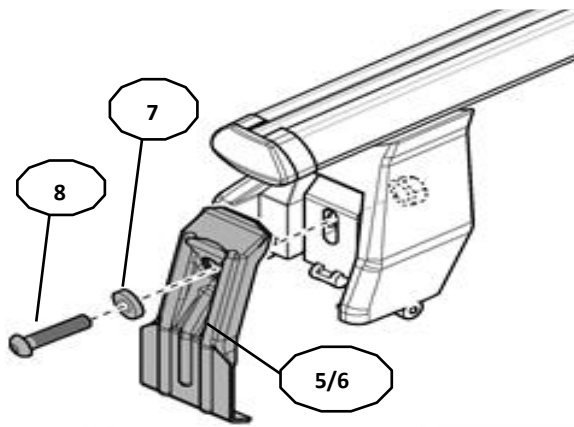
MANUFACTURER	MODEL CAR	DOORS	MODEL YEAR	D1	D2
HONDA	Insight III	4	19>	5,4	6,2

3

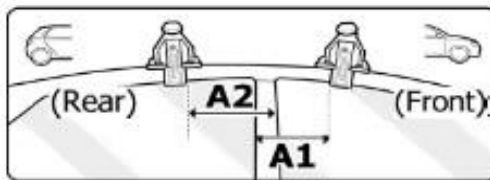
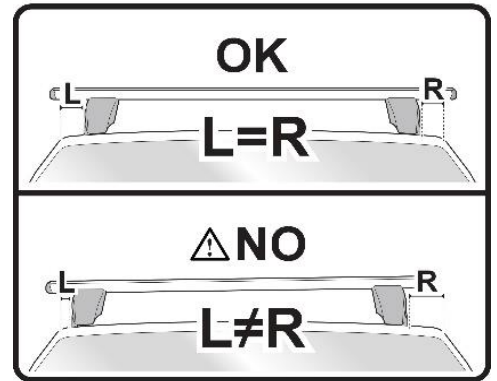
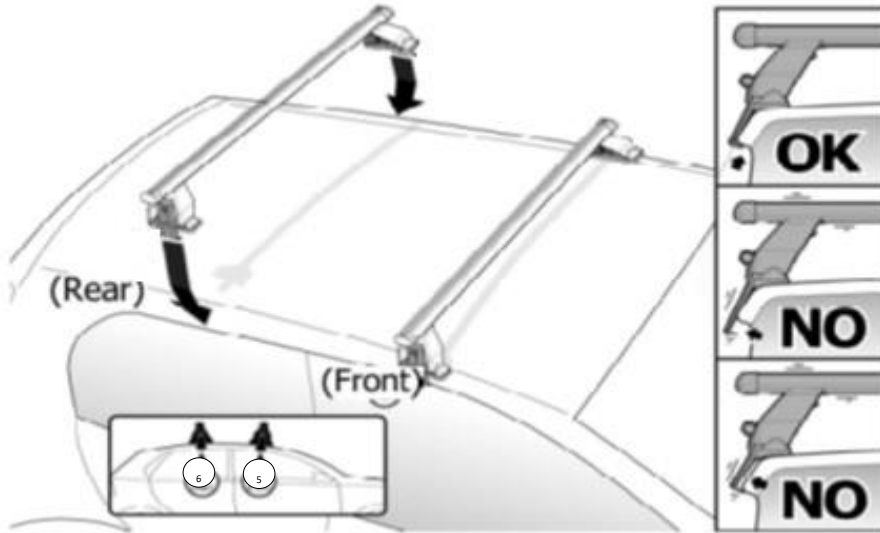


4

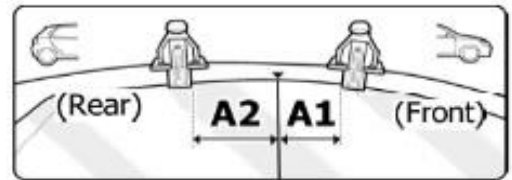




Front	Rear
5	6
24	21R
2X	2X

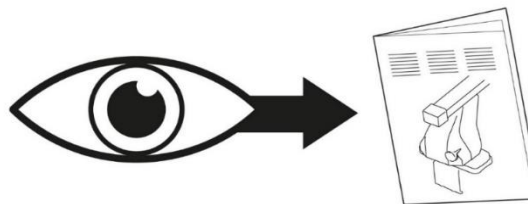


OR



MANUFACTURER	MODEL CAR	DOORS	MODEL YEAR	A1	A2	A1	A2
				cm	cm	in	in
HONDA	Insight III	4	19>	30	34	11,8	13,4

X = predisposizione originale /original arrangement



MANUAL OMEGA

NOTE:
