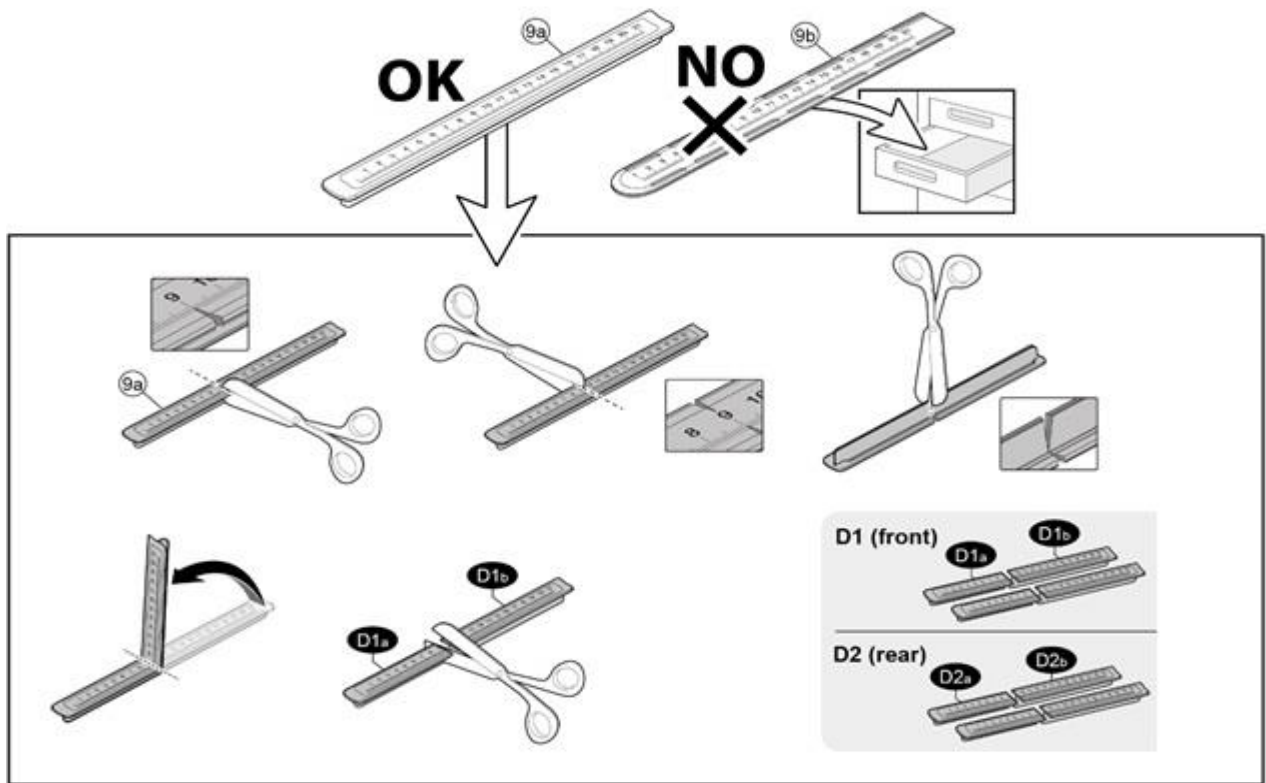


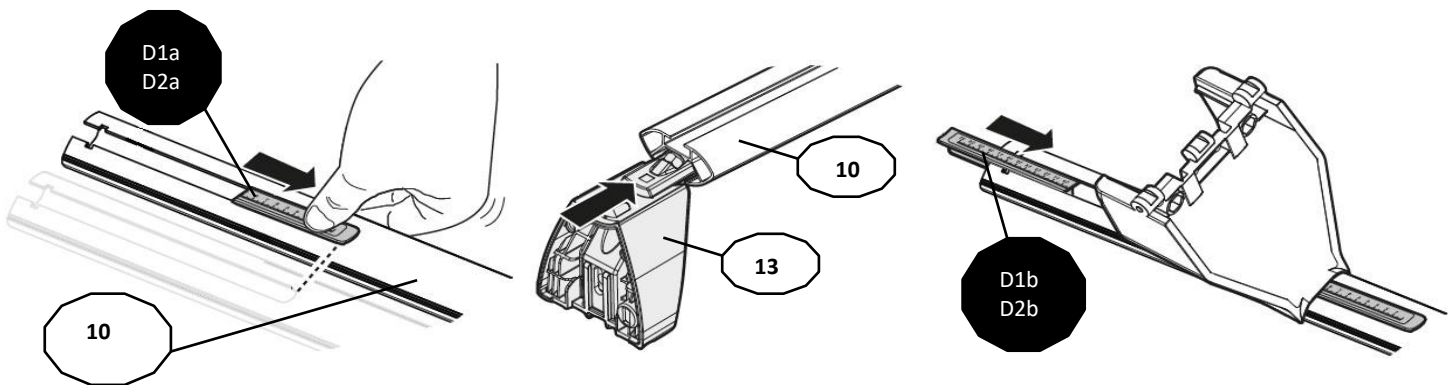
# FIXING KIT DELTA

**1**

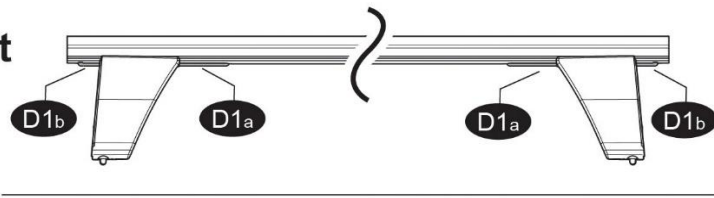


MANUFACTURER	MODEL CAR	DOORS	MODEL YEAR	D1	D2
HONDA	Pilot II	5	09>15	6,8	6,8

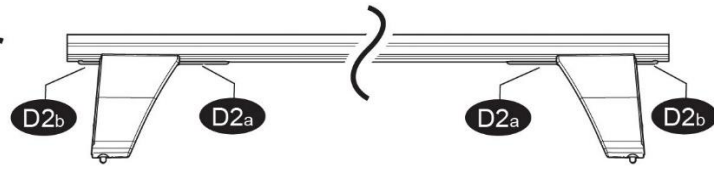
**2**



Front

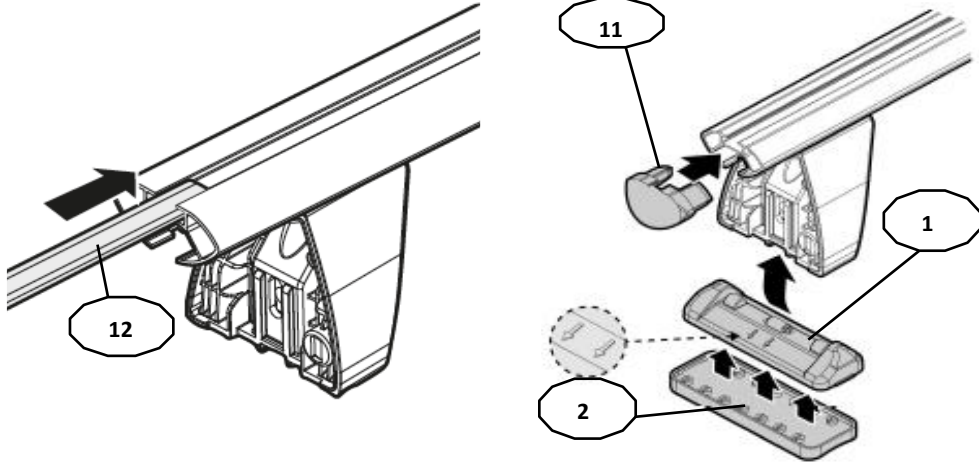


Rear

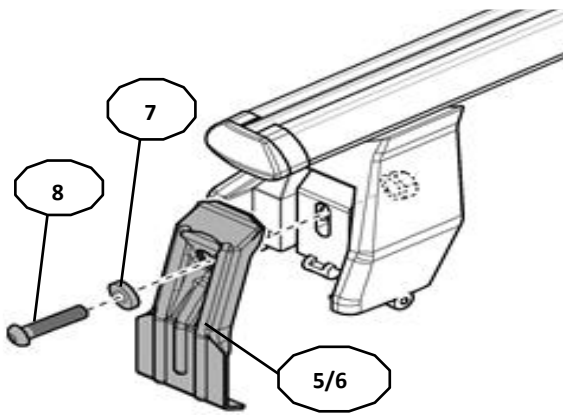


3

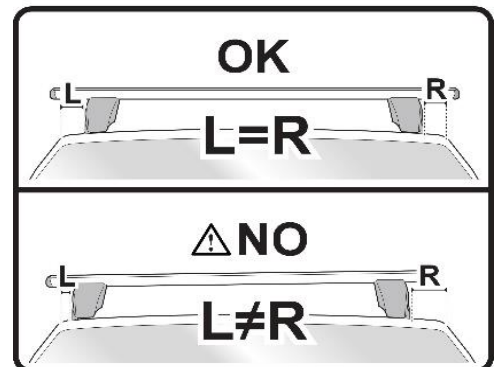
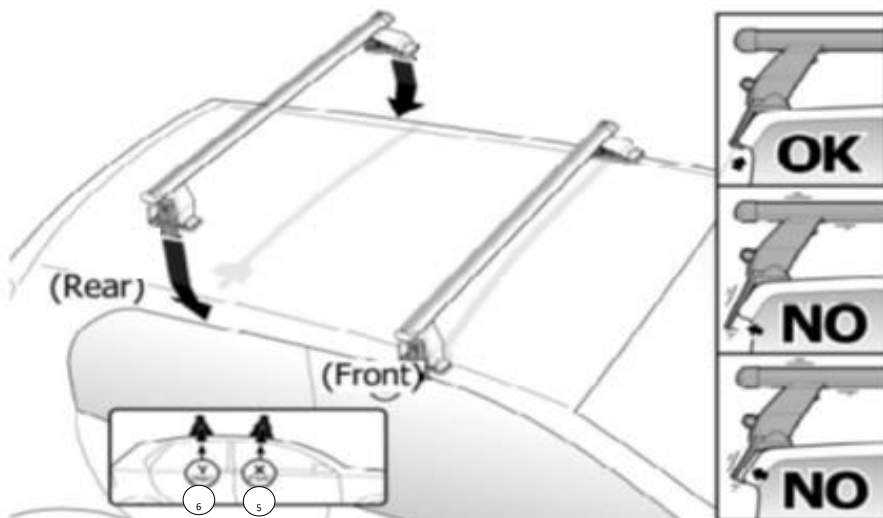
x4

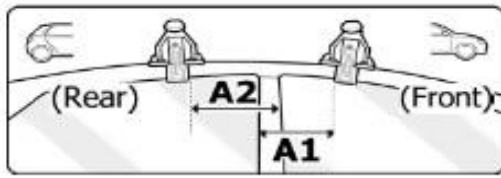


4

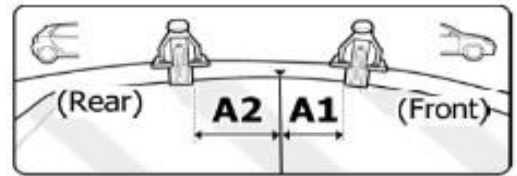


Front	Rear
5	6
1R	1R
2X	2X





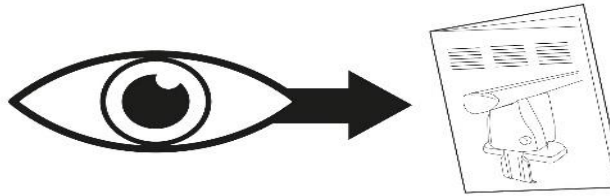
OR



MANUFACTURER	MODEL CAR	DOORS	MODEL YEAR	A1	A2	A1	A2
				cm	cm	in	in
HONDA	Pilot II	5	09>15	17	47	6,7	18,5

X = predisposizione originale /original arrangement

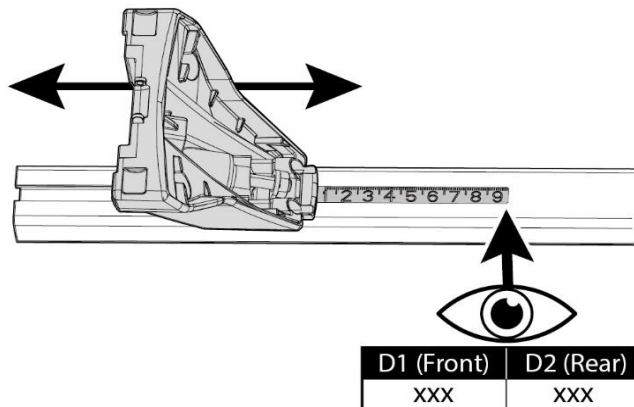
**5**



**MANUAL DELTA**

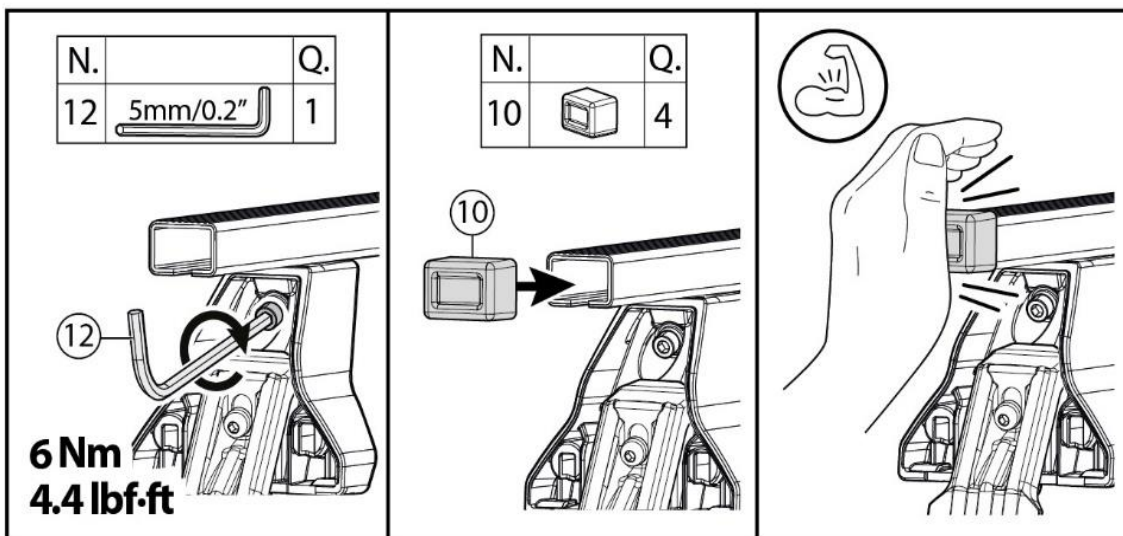
# FIXING KIT OMEGA

2

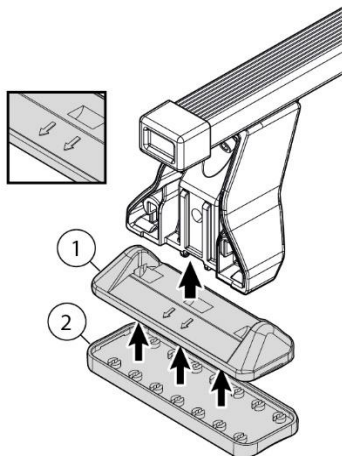


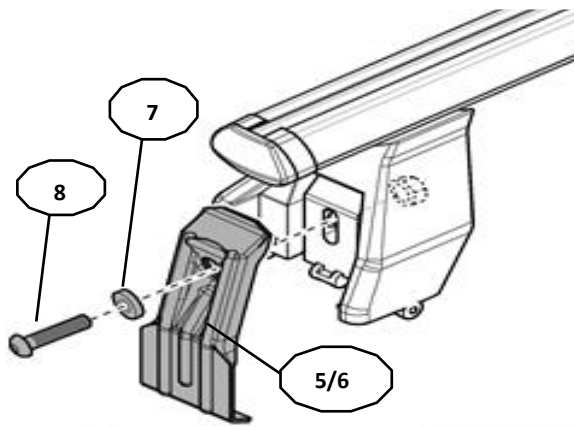
MANUFACTURER	MODEL CAR	DOORS	MODEL YEAR	D1	D2
HONDA	Pilot II	5	09>15	6,8	6,8

3

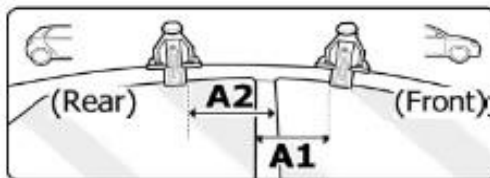
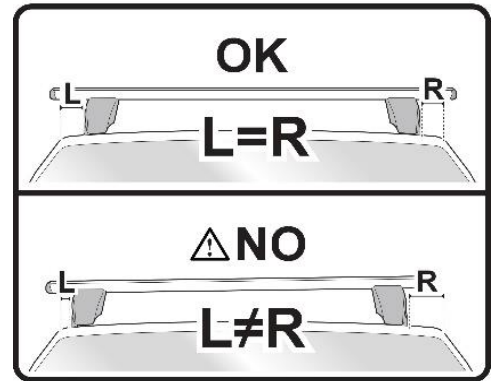
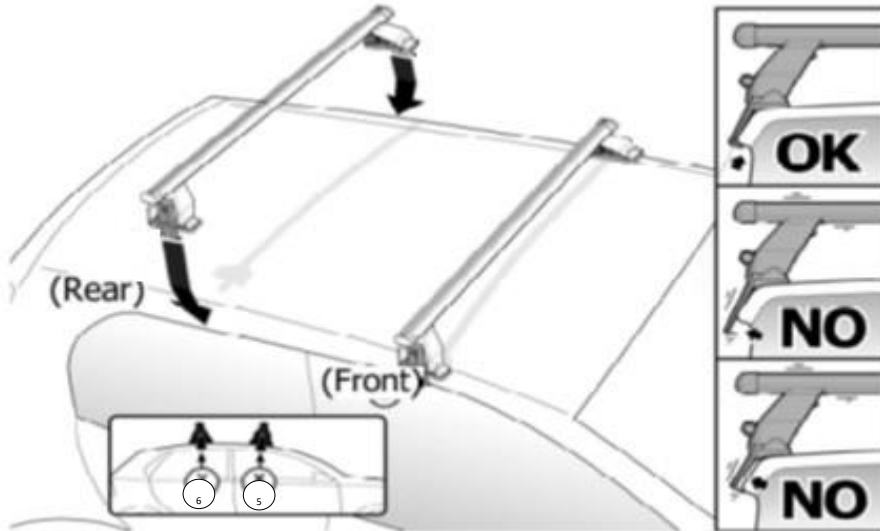


4

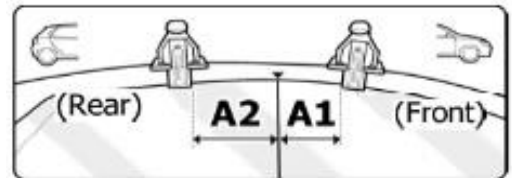




Front 5	Rear 6
1R 2X	1R 2X

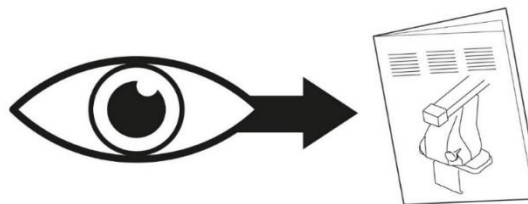


OR



MANUFACTURER	MODEL CAR	DOORS	MODEL YEAR	A1	A2	A1	A2
				cm	cm	in	in
HONDA	Pilot II	5	09>15	17	47	6,7	18,5

X = predisposizione originale /original arrangement



MANUAL OMEGA

NOTE:

---

---

---

---