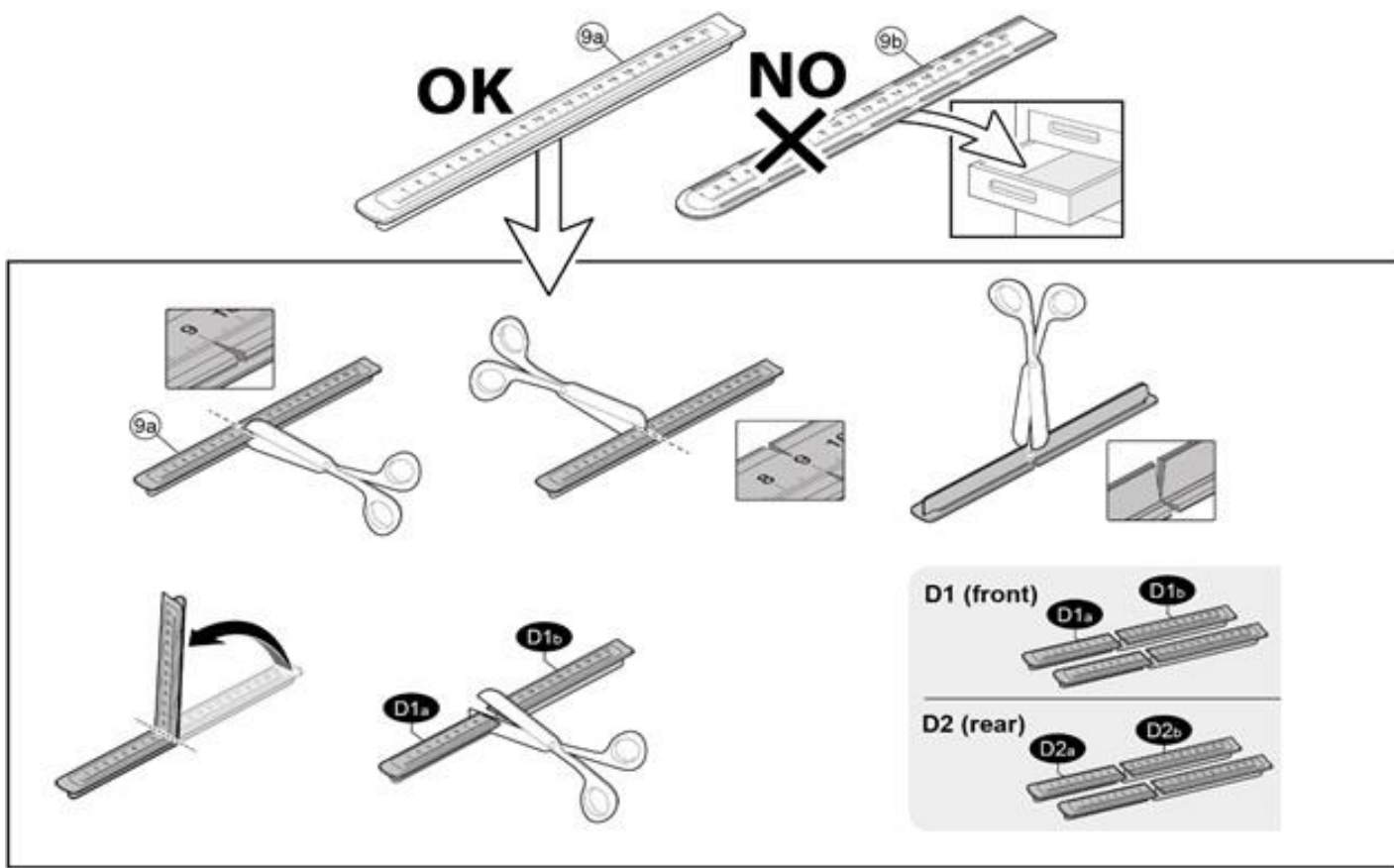


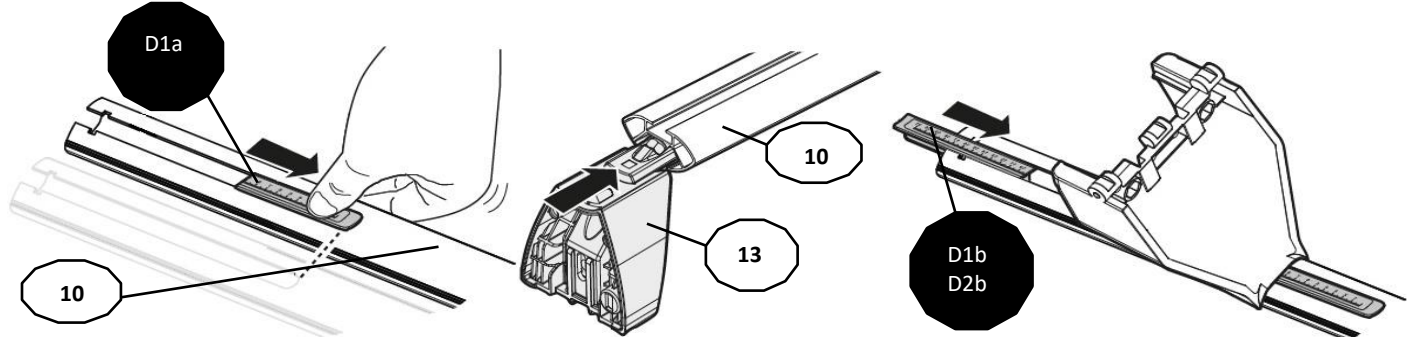
## FIXING KIT DELTA

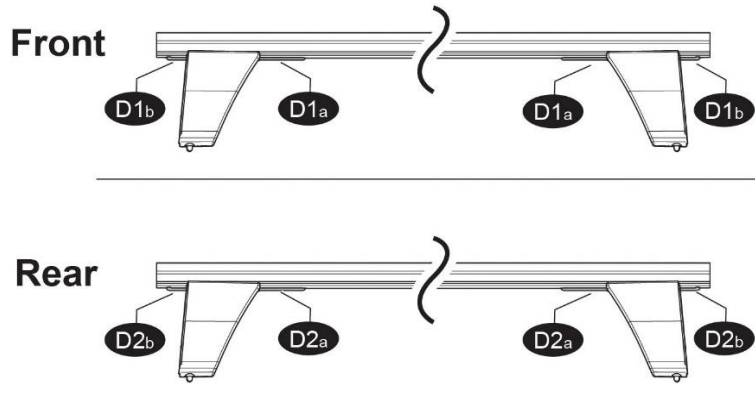
### 1



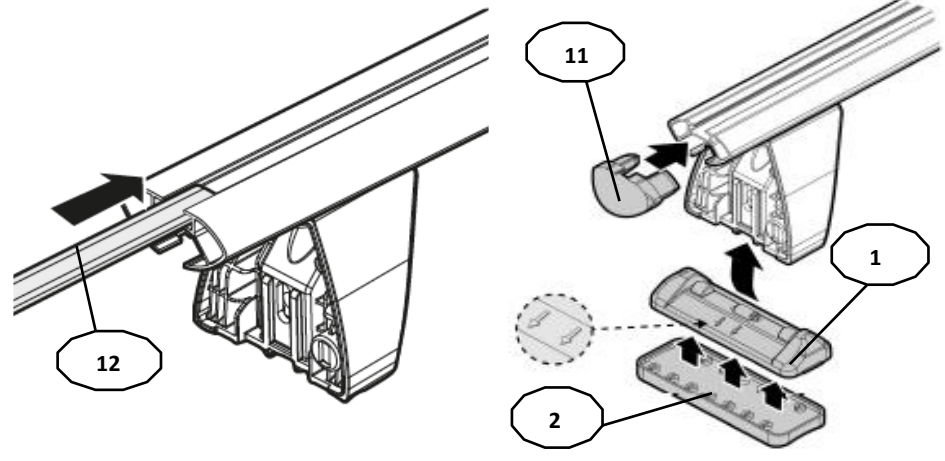
MANUFACTURER	MODEL CAR	DOORS	MODEL YEAR	D1	D2
VOLKSWAGEN	Nivus	5	21>	5,0	1,4
VOLKSWAGEN	Taigo	5	21>	5,0	1,4

### 2

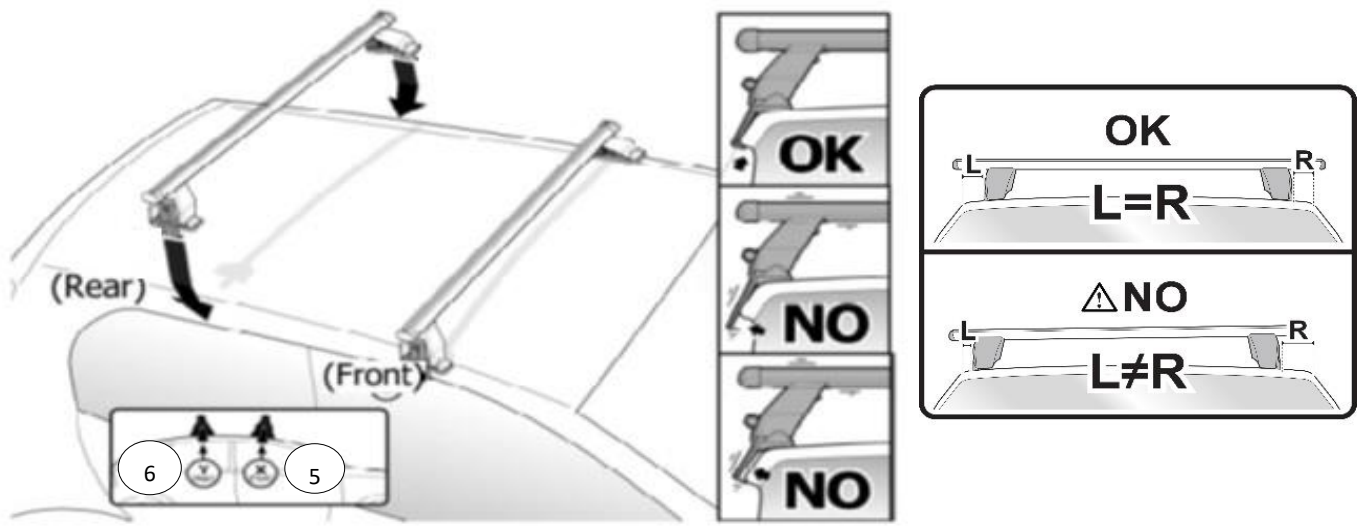
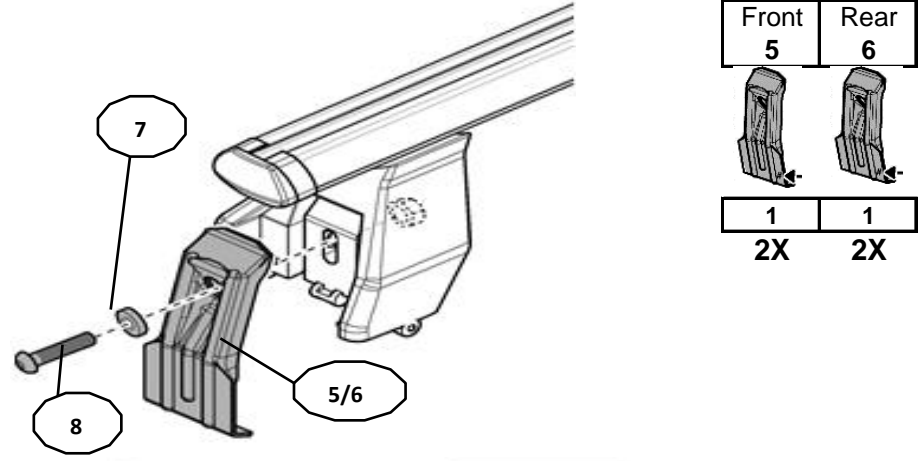


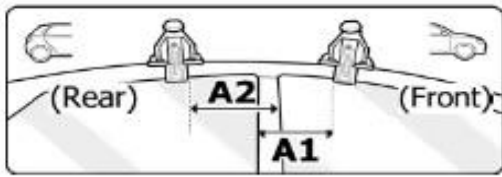


**3** **x4**

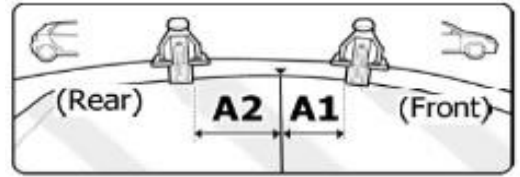


**4**



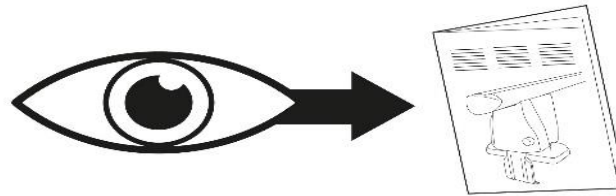


OR



MANUFACTURER	MODEL CAR	DOORS	MODEL YEAR	A1	A2	A1	A2
				cm	cm	in	in
VOLKSWAGEN	Nivus	5	21>	30	40	11,8	15,7
VOLKSWAGEN	Taigo	5	21>	30	40	11,8	15,7

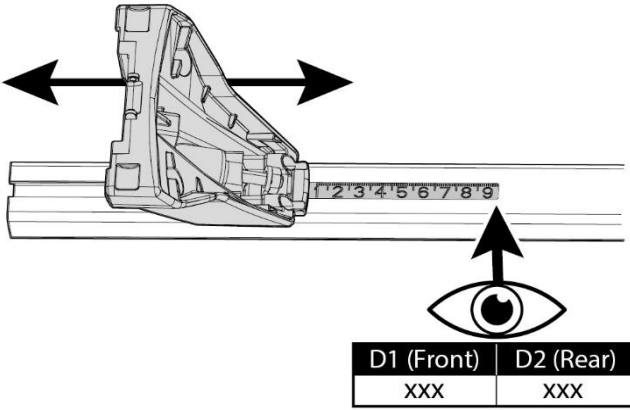
**5**



**MANUAL DELTA**

# FIXING KIT OMEGA

2



MANUFACTURER	MODEL CAR	DOORS	MODEL YEAR	D1	D2
VOLKSWAGEN	Nivus	5	21>	5,0	1,4
VOLKSWAGEN	Taigo	5	21>	5,0	1,4

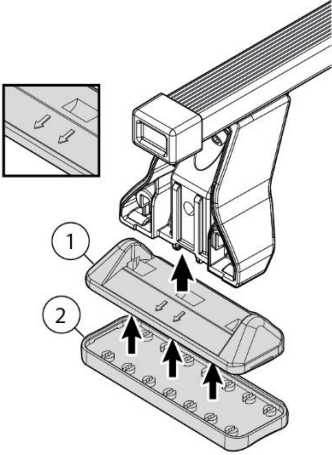
3

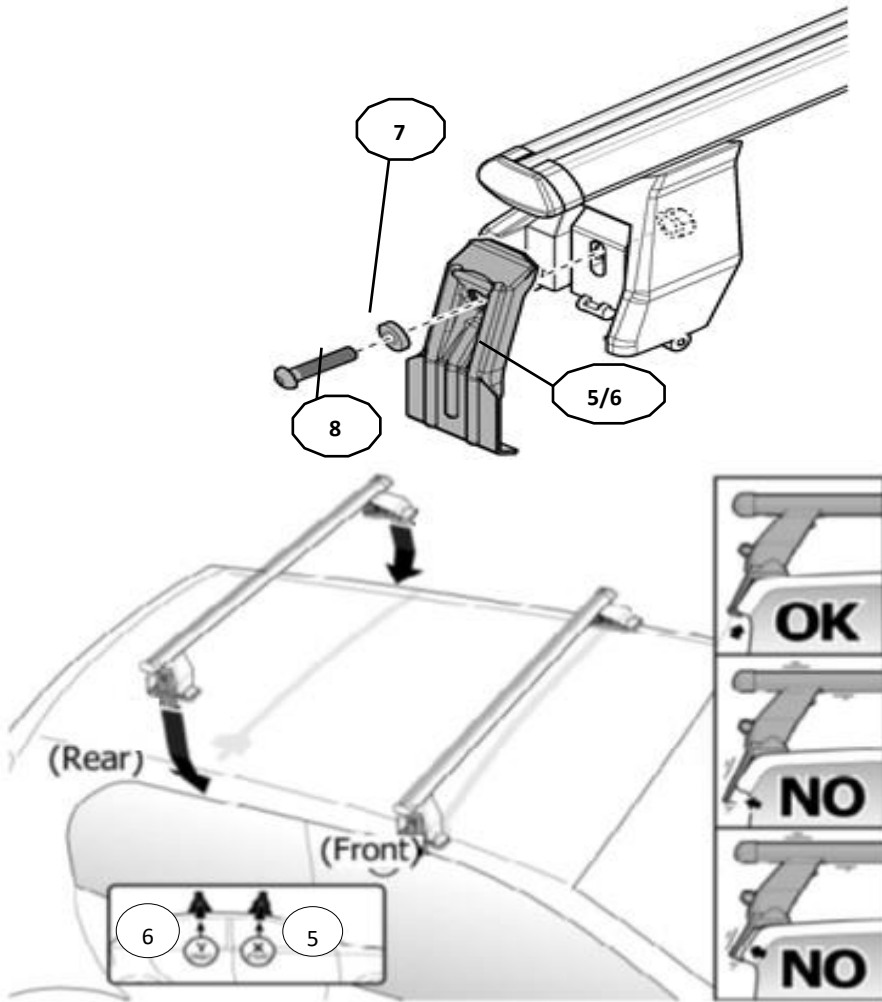
N.	Q.
12	1

**6 Nm**  
**4.4 lbf·ft**

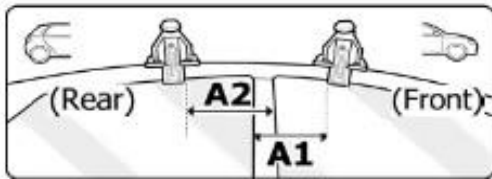
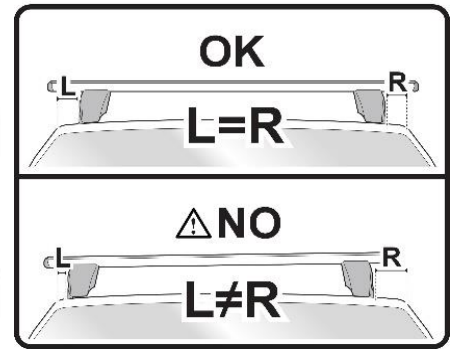
N.	Q.
10	4

4

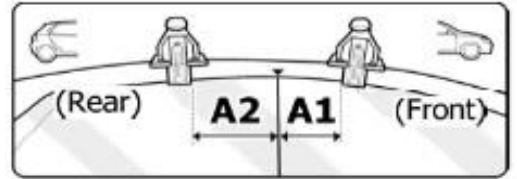




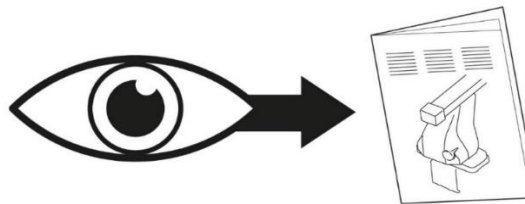
Front	Rear
5	6
1	1
2X	2X



OR



MANUFACTURER	MODEL CAR	DOORS	MODEL YEAR	A1	A2	A1	A2
				cm	cm	in	in
VOLKSWAGEN	Nivus	5	21>	30	40	11,8	15,7
VOLKSWAGEN	Taigo	5	21>	30	40	11,8	15,7



**MANUAL OMEGA**

NOTE:

---

---

---

---

