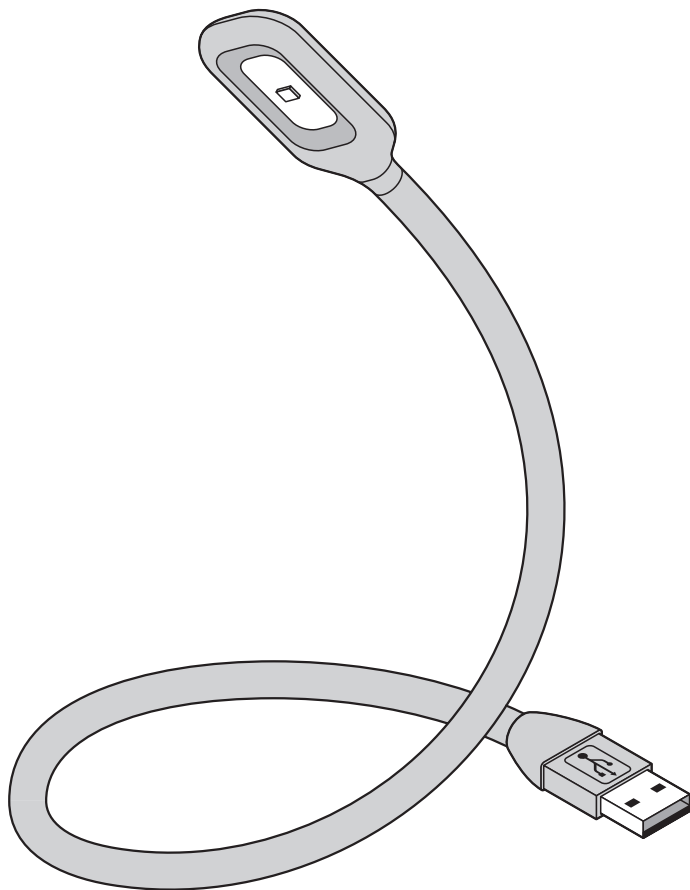


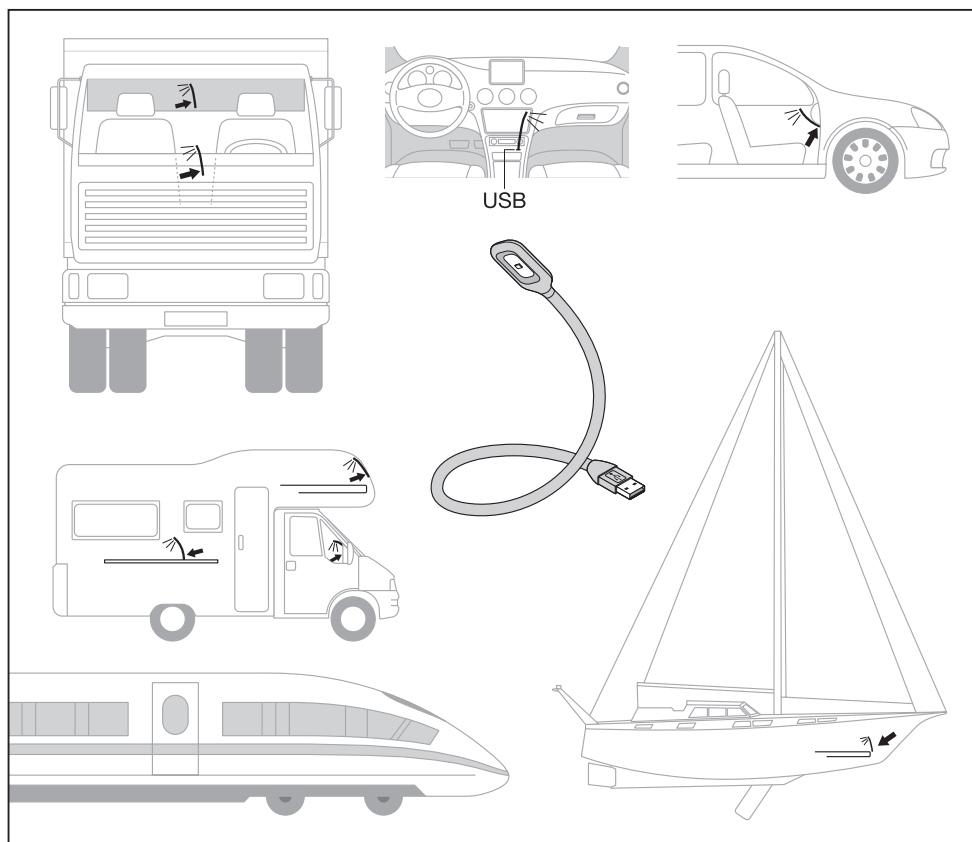
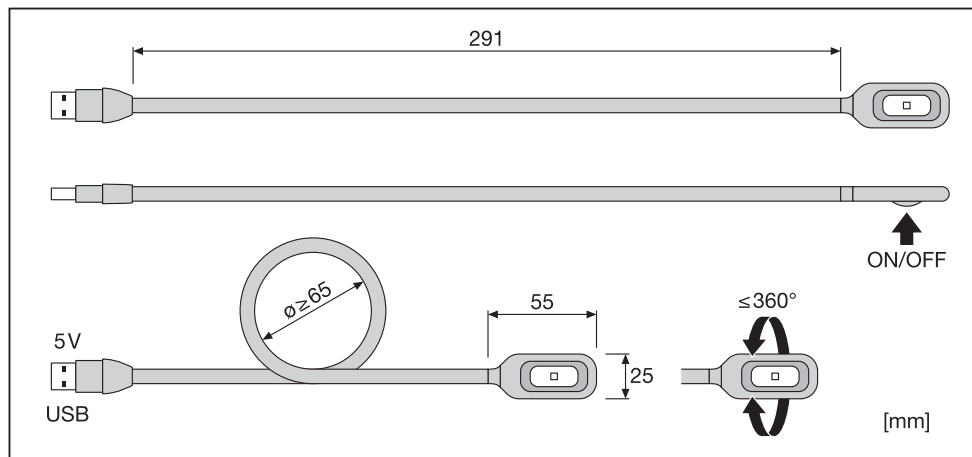
# LED ONYX COPILOT® USB

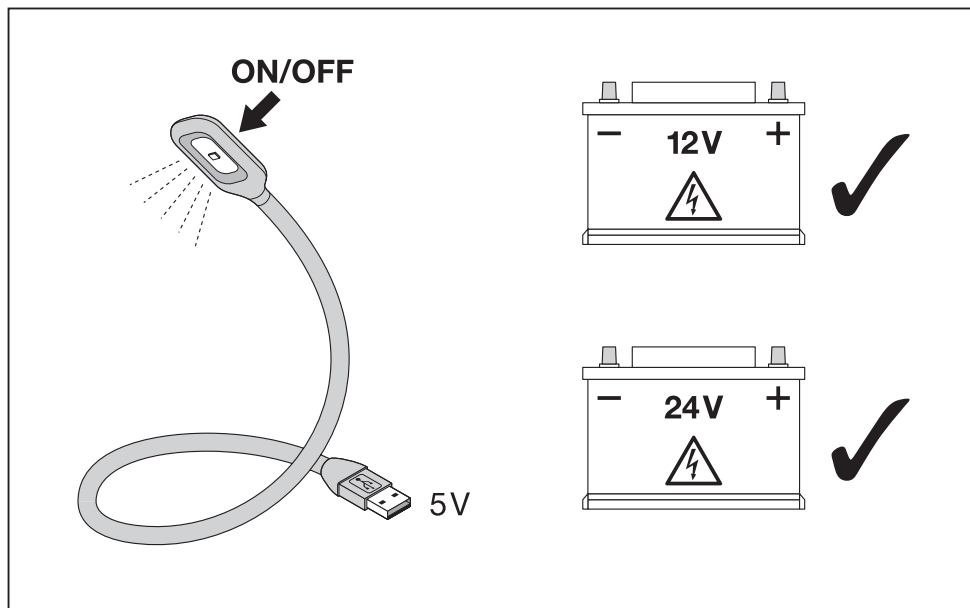
ONYX-USB



**OSRAM**

# LED ONYX COPILOT® USB | ONYX-USB





[www.osram.com/am-guarantee](http://www.osram.com/am-guarantee)

OSRAM Prosperity Co. Ltd  
Room 4007-4009 Office Tower  
Convention Plaza  
1 Harbour Road  
Wanchai, Hong Kong  
[www.osram.com](http://www.osram.com)



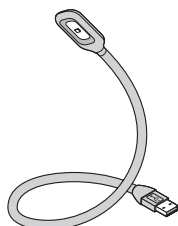
C10449057  
G15044160  
12.06.18



OSRAM GmbH  
Nonnendammallee 44  
13629 Berlin  
Germany  
[www.osram.com](http://www.osram.com)

# LED ONYX COPILOT® USB

ONYX-USB



**OSRAM**

# OSRAM automotive LED products

[www.osram.com/automotive-led](http://www.osram.com/automotive-led)



LED Headlights

[www.osram.com/ledriving-xenarc](http://www.osram.com/ledriving-xenarc)



LED Styling lights

[www.osram.com/ledambient](http://www.osram.com/ledambient)



LED Fog lights

[www.osram.com/foglights](http://www.osram.com/foglights)



LED Accessories

[www.osram.com/led-accessories](http://www.osram.com/led-accessories)



## GUARANTEE

[www.osram.com/am-guarantee](http://www.osram.com/am-guarantee)

NAME

ADDRESS

PRODUCT NAME, MODEL

DATE OF PURCHASE